

Contents

| Pump type | Page | Pump type | Page | Pump type | Page | Pump type | Page |
|----------------------|------|------------------|------|---------------------|------|------------------|------|
| 20A(C)...X006(H) | 4 | 20A(C)...X186 | 58 | 20A(C)...X451 | 112 | 20A(C)...X637 | 166 |
| 20A(C)...Y006 | 5 | 20A(C)...X187 | 59 | 20A(C)...X457... | 113 | 20A(C)...X638... | 167 |
| 20A(C)...X007...(H) | 6 | 20A(C)...X192(H) | 60 | 20A(C)...X458 | 114 | 20A(C)...X647 | 168 |
| 20A(C)...X008... | 7 | 20A(C)...X194 | 61 | 20A(C)...X464H | 115 | 20A(C)...X650U | 169 |
| 20A(C)...X016...H | 8 | 20A(C)...X195 | 62 | 20A(C)...X466(H) | 116 | 20A(C)...X654 | 170 |
| 20A(C)...X016...W(H) | 9 | 20A(C)...X196 | 63 | 20A(C)...X467... | 117 | 20A(C)...X655U | 171 |
| 20A(C)...X021 | 10 | 20A(C)...X201... | 64 | 20A(C)...X478 | 118 | | |
| 20A(C)...X022 | 11 | 20A(C)...X205 | 65 | 20A(C)...X494... | 119 | | |
| 20A(C)...X030(H) | 12 | 20A(C)...X206... | 66 | 20A(C)...X495... | 120 | | |
| 20A(C)...X066(H) | 13 | 20A(C)...X207 | 67 | 20A(C)...X496... | 121 | | |
| 20A(C)...X067(H) | 14 | 20A(C)...X210 | 68 | 20A(C)...X497 | 122 | | |
| 20A(C)...X072 | 15 | 20A(C)...X218 | 69 | 20A(C)...X498H | 123 | | |
| 20A(C)...X073(H) | 16 | 20A(C)...X219... | 70 | 20A(C)...X500W | 124 | | |
| 20A(C)...X074... | 17 | 20A(C)...X223 | 71 | 20A(C)...X511... | 125 | | |
| 20A(C)...Y075... | 18 | 20A(C)...X224(H) | 72 | 20A(C)...X514... | 126 | | |
| 20A(C)...X077(H) | 19 | 20A(C)...X226... | 73 | 20A(C)...X518 | 127 | | |
| 20A(C)...X080(H) | 20 | 20A(C)...X227... | 74 | 20A(C)...X525 | 128 | | |
| 20A(C)...Y080 | 21 | 20A(C)...X234... | 75 | 20A(C)...X528 | 129 | | |
| 20A(C)...X083... | 22 | 20A(C)...X259 | 76 | 20A(C)...X529 | 130 | | |
| 20A(C)...X085(H) | 23 | 20A(C)...X262... | 77 | 20A(C)...X536 | 131 | | |
| 20A(C)...X085W | 24 | 20A(C)...X295 | 78 | 20A(C)...X537 | 132 | | |
| 20A(C)...X086(H) | 25 | 20A(C)...X296 | 79 | 20A(C)...X538 | 133 | | |
| 20A(C)...X087 | 26 | 20A(C)...X301... | 80 | 20A(C)...X538S | 134 | | |
| 20A(C)...X091 | 27 | 20A(C)...X304 | 81 | 20A(C)...X539 | 135 | | |
| 20A(C)...X095(H) | 28 | 20A(C)...X305 | 82 | 20A(C)...X539S | 136 | | |
| 20A(C)...X096(H) | 29 | 20A(C)...X306... | 83 | 20A(C)...X540WMS | 137 | | |
| 20A(C)...X097(H) | 30 | 20A(C)...X307... | 84 | 20A(C)...X540WMS-2 | 138 | | |
| 20A(C)...X102 | 31 | 20A(C)...X315 | 85 | 20A(C)...X541 | 139 | | |
| 20A(C)...X104 | 32 | 20A(C)...X316 | 86 | 20A(C)...X554...(H) | 140 | | |
| 20A(C)...X110... | 33 | 20A(C)...X318W | 87 | 20A(C)...X560... | 141 | | |
| 20A(C)...X111... | 34 | 20A(C)...X320... | 88 | 20A(C)...Y566D... | 142 | | |
| 20A(C)...X114 | 35 | 20A(C)...X321 | 89 | 20A(C)...X567... | 143 | | |
| 20A(C)...X124 | 36 | 20A(C)...X328 | 90 | 20A(C)...X573 | 144 | | |
| 20A(C)...X126(K) | 37 | 20A(C)...X341 | 91 | 20A(C)...X574(H) | 145 | | |
| 20A(C)...X126W | 38 | 20A(C)...X347 | 92 | 20A(C)...X577(H) | 146 | | |
| 20A(C)...X127 | 39 | 20A(C)...X352 | 93 | 20A(C)...X578 | 147 | | |
| 20A(C)...X128 | 40 | 20A(C)...X354 | 94 | 20A(C)...X581 | 148 | | |
| 20A(C)...X132 | 41 | 20A(C)...X355 | 95 | 20A(C)...X583 | 149 | | |
| 20A(C)...X139 | 42 | 20A(C)...X358(H) | 96 | 20A(C)...X586... | 150 | | |
| 20A(C)...X140 | 43 | 20A(C)...X359W | 97 | 20A(C)...X586B | 151 | | |
| 20A(C)...X141... | 44 | 20A(C)...X364VW1 | 98 | 20A(C)...X588... | 152 | | |
| 20A(C)...X147 | 45 | 20A(C)...X368... | 99 | 20A(C)...X590 | 153 | | |
| 20A(C)...X153 | 46 | 20A(C)...X369 | 100 | 20A(C)...X596 | 154 | | |
| 20A(C)...X156... | 47 | 20A(C)...X380 | 101 | 20A(C)...X597 | 155 | | |
| 20A(C)...X156B | 48 | 20A(C)...X381 | 102 | 20A(C)...X601 | 156 | | |
| 20A(C)...X158 | 49 | 20A(C)...X398 | 103 | 20A(C)...X602 | 157 | | |
| 20A(C)...X161 | 50 | 20A(C)...X402 | 104 | 20A(C)...X604 | 158 | | |
| 20A(C)...X167... | 51 | 20A(C)...X404 | 105 | 20A(C)...X621... | 159 | | |
| 20A(C)...X168 | 52 | 20A(C)...X409HF | 106 | 20A(C)...X622... | 160 | | |
| 20A(C)...X170 | 53 | 20A(C)...X413 | 107 | 20A(C)...X626UM | 161 | | |
| 20A(C)...X172 | 54 | 20A(C)...X419 | 108 | 20A(C)...X627WUM | 162 | | |
| 20A(C)...X173 | 55 | 20A(C)...X423VW | 109 | 20A(C)...X628 | 163 | | |
| 20A(C)...X178 | 56 | 20A(C)...X429V | 110 | 20A(C)...X634 | 164 | | |
| 20A(C)...X185 | 57 | 20A(C)...X450 | 111 | 20A(C)...X636 | 165 | | |

General description

The gear pumps are designed for transforming the mechanical energy as energy of the working liquid (pressure and flow rate). They are simplified in construction and they have a relatively low cost. All these benefits ensure their wide application in the hydraulic systems.

Drive arrangements

The pump drive may be direct or indirect (by gear, chains, or belt transmissions). Both drives should not impose axial or radial forces on the pump shaft. Oldham coupling serrated drive adapters are used with direct drive. For indirect drive refer to the manufacturer.

The gear pumps are designed to work at the conditions mentioned below:

| | |
|---------------------------------|--|
| - Working liquid: | hydraulic oils with viscosity 16 ... 200 mm ² /s; |
| - Degree of filtration: | 15 ... 25 ì m; |
| - Ambient temperature range: | - 22 ... 55 °C; |
| - Fluid temperature range: | - 25 ... 80 °C; |
| - Inlet pressure, absolute: | 0.8 ... 2.2 bar; |
| - Fluid velocity (suction line) | 0,5 ... 1 m/s |
| - Outlet pressure | up to 250 bar. |

The gear pumps made by "Caproni" are produced in 5 different groups: 00, 10, 20 and 20H, 30 and 40. The displacements of the pumps are in the range from 0.25 to 60 cm³.

| | |
|-----------|----------------------------------|
| Group 00 | q = 0.25 ... 2 cm ³ ; |
| Group 10 | q = 1 ... 9.8 cm ³ ; |
| Group 20 | q = 4.5 ... 25 cm ³ ; |
| Group 20H | q = 15 ... 36 cm ³ ; |
| Group 30 | q = 20 ... 60 cm ³ ; |
| Group 40 | q = 46 ... 60 cm ³ . |

There are different variants of flanges, shafts and ports for each pump group (standard; Germany; USA ...).

We offer the next variants too:

- tandem pumps;
- pumps with build-in valves;
- reversible pumps;
- reversible gear motors.

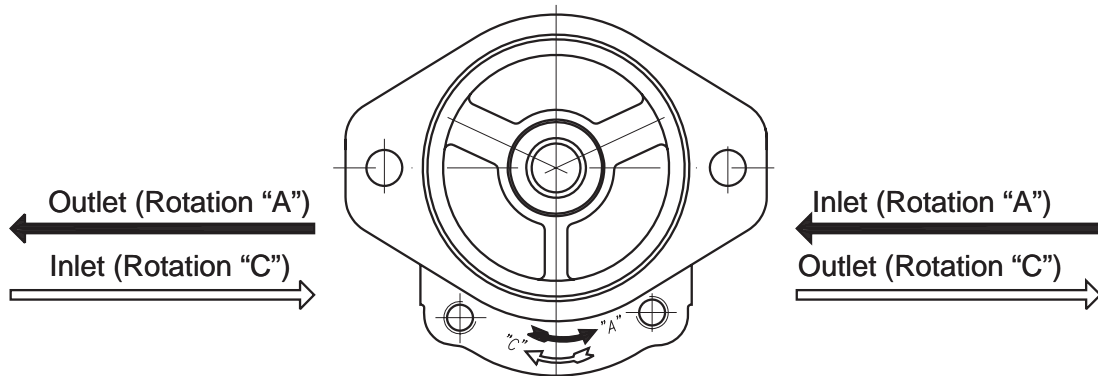
Used symbols:

| | |
|---|-----------------------|
| n - speed of rotation | [min ⁻¹]; |
| p - pressure | [bar]; |
| q - displacement | [cm ³]; |
| η - total efficiency $\eta = \eta_q \cdot \eta_{hm}$ | [-]; |
| η_{hm} - hydromechanical efficiency | [-]; |
| η_q - volumetric efficiency | [-]. |

Commonly used formulas:

| | | |
|--------------|--|---------|
| Flow: | $Q = \frac{q \cdot n \cdot \eta}{1000}$ | [l/min] |
| Torque: | $M \cong \frac{q \cdot p}{20 \cdot \pi}$ | [N.m] |
| Drive power: | $P = \frac{Q \cdot p}{600}$ | [kW] |

A relationship between the direction of rotation and the place of the inlet and outlet ports of the pumps



How to order:

| Group | Rotation | Displacement code | Drive shaft | Pump code | Ports |
|----------------------------|-------------------|-------------------|--|-----------|--|
| 00 10 20 30 40 | A ↻ C ↻ R ↻ | | X - Through the front cover Y - Through the both covers | ***(*) | - A flange with metric threads P4- A flange with UNC threads M - Metric G - GAS U - SAE J475 |

| Group 00 | |
|----------|-----------------|
| Code | cm ³ |
| 0,25 | 0,25 |
| 0,3 | 0,3 |
| 0,5 | 0,5 |
| 0,75 | 0,75 |
| 1 | 1 |
| 1,25 | 1,25 |
| 1,5 | 1,5 |
| 1,75 | 1,75 |
| 2 | 2 |

| Group 10 | |
|----------|-----------------|
| Code | cm ³ |
| 1 | 1 |
| 1,25 | 1,25 |
| 1,6 | 1,6 |
| 2 | 2 |
| 2,5 | 2,5 |
| 2,65* | 2,65 |
| 3,15 | 3,15 |
| 3,65 | 3,65 |
| 4,2 | 4,2 |
| 4,7* | 4,7 |
| 5 | 5 |
| 5,7 | 5,7 |
| 6,1 | 6,1 |
| 7,4 | 7,4 |
| 8* | 8 |
| 8,5 | 8,5 |
| 9,8 | 9,8 |

| Group 20 | |
|----------|-----------------|
| Code | cm ³ |
| 4,5 | 4,5 |
| 6,3 | 6,3 |
| 7* | 7 |
| 8,2 | 8,2 |
| 10 | 10 |
| 11 | 11,3 |
| 12 | 12 |
| 14 | 14 |
| 15 | 15 |
| 16 | 16 |
| 17* | 17,3 |
| 19 | 19 |
| 22 | 22 |
| 25 | 25 |
| 28 | 28 |
| 32 | 32 |
| 36 | 36 |

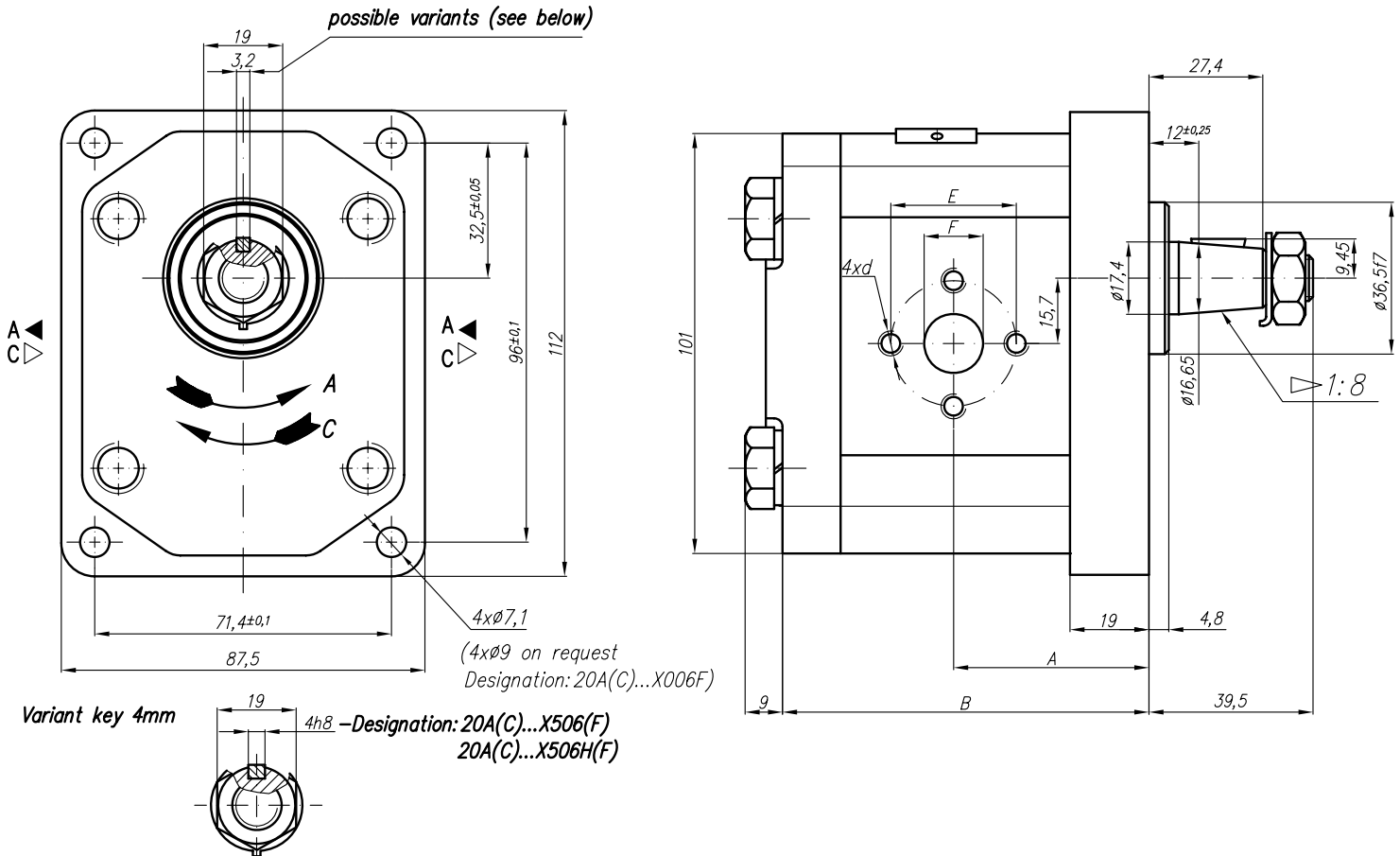
| Group 20H | |
|-----------|-----------------|
| Code | cm ³ |
| 15 | 15 |
| 16 | 16 |
| 19 | 19 |
| 22 | 22 |
| 25 | 25 |
| 28 | 28 |
| 32 | 32 |
| 36 | 36 |

| Group 30 | |
|----------|-----------------|
| Code | cm ³ |
| 20 | 20 |
| 22,5 | 22,5 |
| 25 | 25 |
| 28 | 28 |
| 32 | 32 |
| 36 | 36 |
| 42 | 42 |
| 46 | 46 |
| 50 | 50 |
| 55 | 55 |
| 60 | 60 |

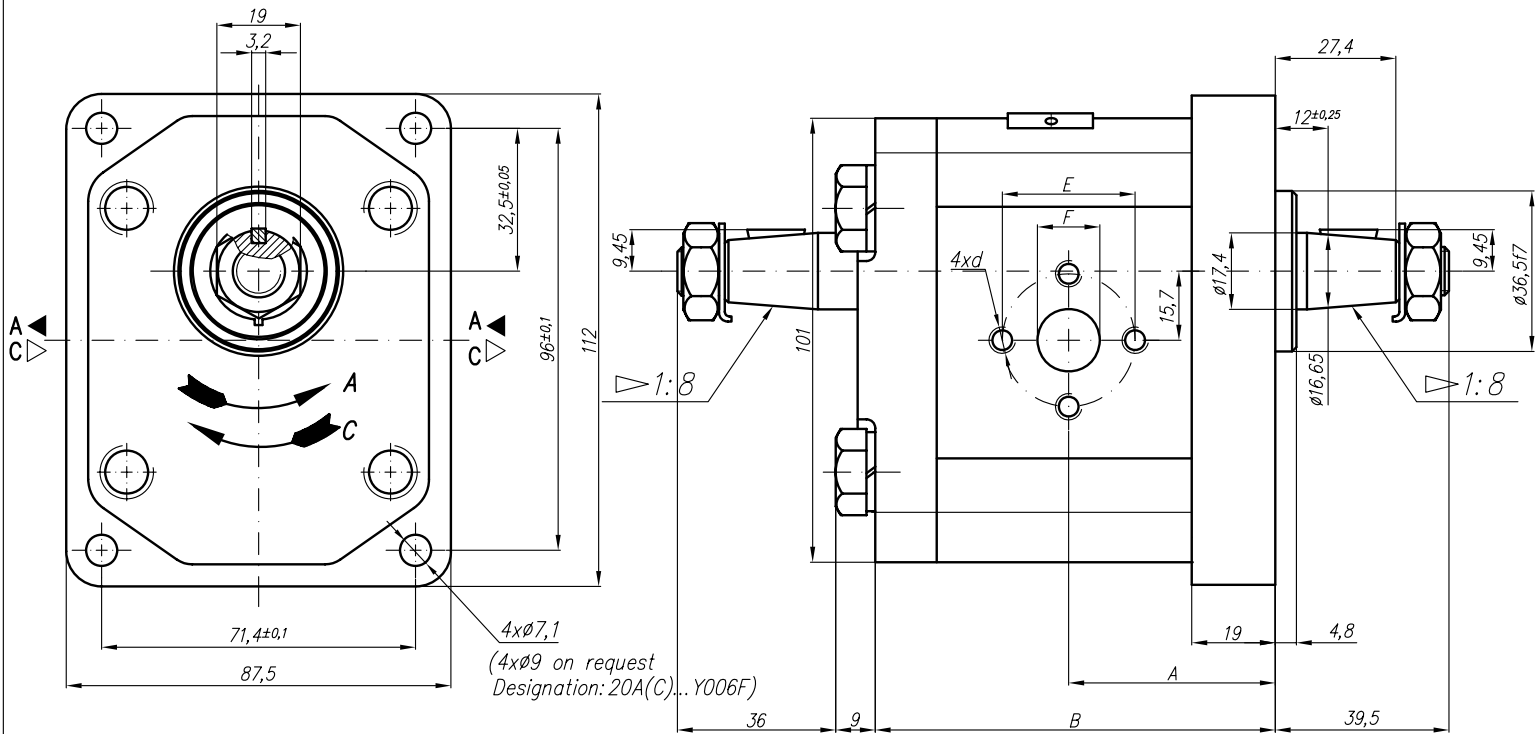
| Group 40 | |
|----------|-----------------|
| Code | cm ³ |
| 36 | 36 |
| 42 | 42 |
| 46 | 46 |
| 50 | 50 |
| 55 | 55 |
| 60 | 60 |

Example: 20A14X073 - Hydraulic gear pump, 20 group, direction of rotation - counter clockwise, displacement 14 cm³, modification 073.

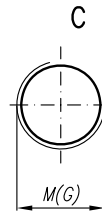
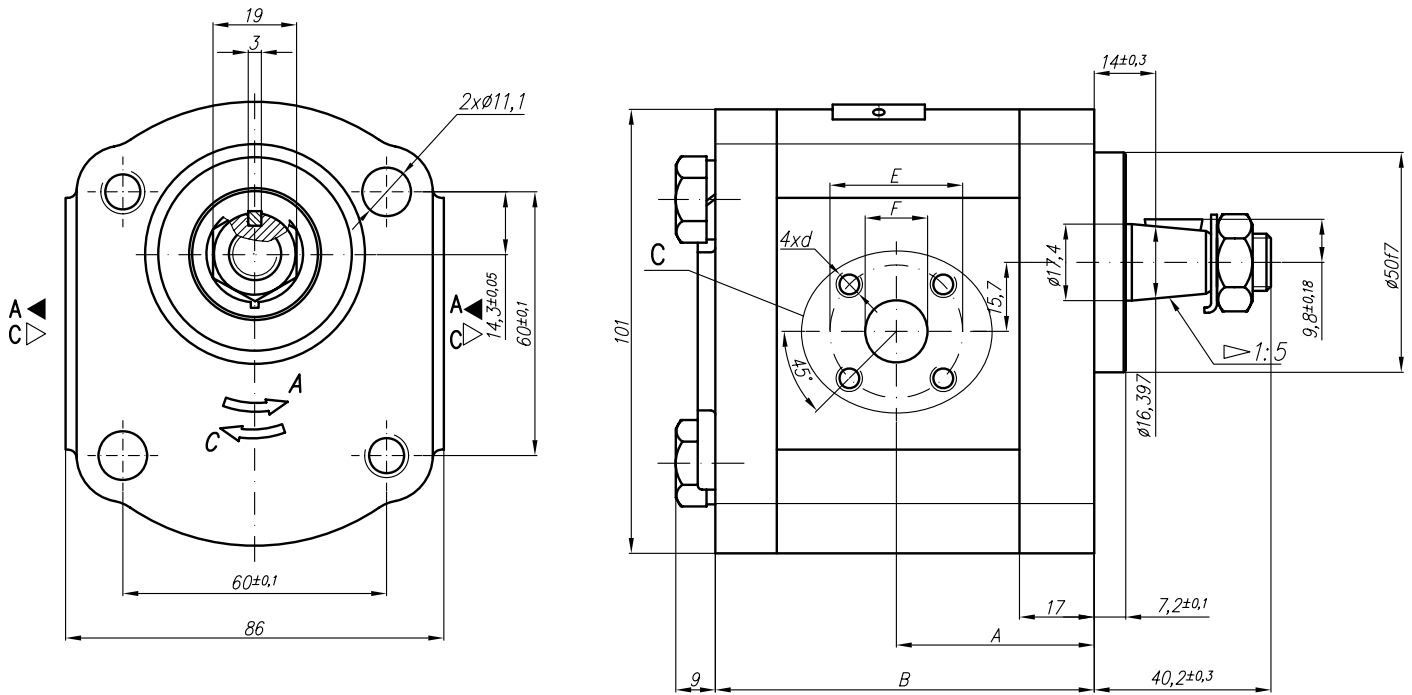
* - These pumps - only under a special order



| Type | Displacement cm ³ /rev | Flow | | Pressure P _{nom} bar | max Speed n rpm | Dimension | | | | | | | |
|-----------------|--------------------------------------|----------------------|---------------------|-------------------------------------|-----------------------|-----------|---------|-------|------|-------|--------|------|-------|
| | | at 1500 rpm l/min | at max rpm l/min | | | A mm | B mm | Inlet | | | Outlet | | |
| | | | | | | | | E | F | d | E | F | d |
| 20A(C)4,5X006 | 4,5 | 6,14 | 14,33 | 250 | 3500 | 42,5 | 80 | 30,2 | 13,1 | M6-6H | 30,2 | 13,1 | |
| 20A(C)6,3X006 | 6,3 | 8,69 | 20,29 | 250 | 3500 | 42,5 | 80 | | | | | | |
| 20A(C)8,2X006 | 8,2 | 11,32 | 26,40 | 250 | 3500 | 42,5 | 80 | | | | | | |
| 20A(C)10X006 | 10 | 13,95 | 32,55 | 250 | 3500 | 47 | 89 | 39,7 | 19 | M8-6H | 30,2 | 14,2 | M6-6H |
| 20A(C)11X006 | 11,3 | 15,76 | 36,78 | 250 | 3500 | 48 | 91,1 | | | | | | |
| 20A(C)12X006 | 12 | 16,92 | 39,48 | 250 | 3500 | 48,6 | 92,3 | | | | | | |
| 20A(C)14X006 | 14 | 19,95 | 46,55 | 250 | 3500 | 50 | 95,4 | 39,7 | 19 | M8-6H | 30,2 | 14,2 | M6-6H |
| 20A(C)15X006 | 15 | 21,60 | 36,00 | 250 | 2500 | 51 | 96,9 | | | | | | |
| 20A(C)16X006 | 16 | 23,04 | 38,40 | 250 | 2500 | 52 | 98,6 | | | | | | |
| 20A(C)19X006 | 19 | 27,36 | 45,60 | 200 | 2500 | 54 | 103,5 | 39,7 | 19 | M8-6H | 30,2 | 14,2 | M6-6H |
| 20A(C)22X006 | 22 | 31,68 | 42,24 | 180 | 2000 | 57 | 108,5 | | | | | | |
| 20A(C)25X006 | 25 | 36,00 | 48,00 | 160 | 2000 | 59,2 | 113,4 | | | | | | |
| 20A(C)14X006H | 14 | 20,16 | 47,04 | 250 | 3500 | 55,3 | 105,7 | 39,7 | 19 | M8-6H | 30,2 | 14,2 | M6-6H |
| 20A(C)15X006H | 15 | 21,60 | 43,20 | 250 | 3000 | 56 | 107,2 | | | | | | |
| 20A(C)16X006H | 16 | 23,04 | 46,08 | 250 | 3000 | 56,9 | 108,8 | | | | | | |
| 20A(C)17,3X006H | 17,3 | 24,91 | 49,82 | 230 | 3000 | 58 | 110,9 | 39,7 | 19 | M8-6H | 30,2 | 14,2 | M6-6H |
| 20A(C)18,2X006H | 18,2 | 26,21 | 52,42 | 210 | 3000 | 58,8 | 112,5 | | | | | | |
| 20A(C)19X006H | 19 | 27,36 | 54,72 | 200 | 3000 | 59,4 | 113,8 | | | | | | |
| 20A(C)22X006H | 22 | 31,68 | 52,80 | 180 | 2500 | 61,9 | 118,8 | 39,7 | 19 | M8-6H | 30,2 | 14,2 | M6-6H |
| 20A(C)25X006H | 25 | 36,00 | 60,00 | 160 | 2500 | 64,3 | 123,7 | | | | | | |
| 20A(C)28X006H | 28 | 40,32 | 67,20 | 130 | 2500 | 66,8 | 128,5 | | | | | | |
| 20A(C)32X006H | 32 | 46,08 | 61,44 | 120 | 2000 | 70 | 134,8 | 39,7 | 19 | M8-6H | 30,2 | 14,2 | M6-6H |
| 20A(C)36X006H | 36 | 51,84 | 69,12 | 100 | 2000 | 73,2 | 141,4 | | | | | | |

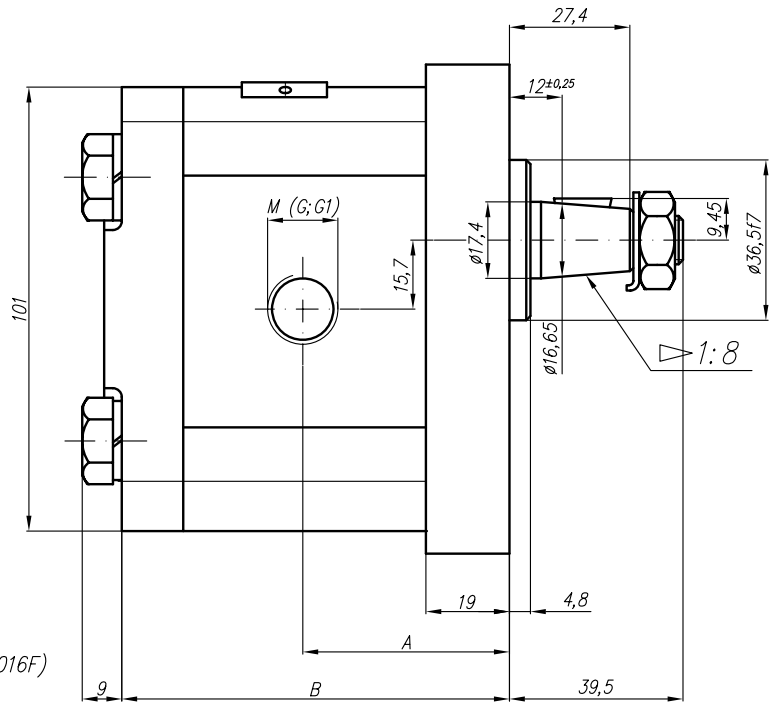
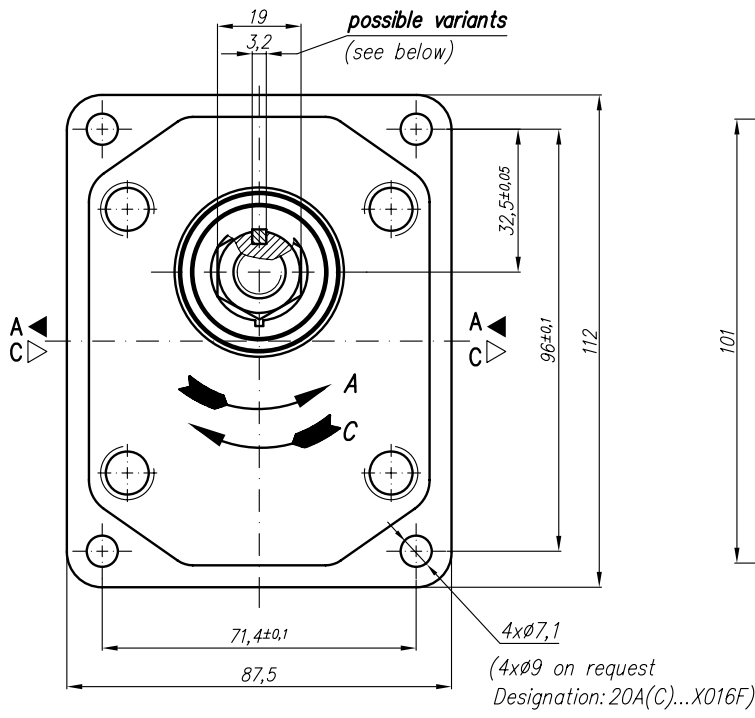


| Type | Displacement cm ³ /rev | Flow | | Pressure P _{nom} bar | max Speed n rpm | Dimension | | | | | | | |
|---------------|--------------------------------------|----------------------|---------------------|-------------------------------------|-----------------------|-----------|---------|-------|------|-------|--------|------|-------|
| | | at 1500 rpm l/min | at max rpm l/min | | | A mm | B mm | Inlet | | | Outlet | | |
| | | | | | | | | E | F | d | E | F | d |
| 20A(C)4,5Y006 | 4,5 | 6,14 | 14,33 | 250 | 3500 | 42,5 | 80 | 30,2 | 13,1 | M6-6H | 30,2 | 13,1 | M6-6H |
| 20A(C)6,3Y006 | 6,3 | 8,69 | 20,29 | 250 | 3500 | 42,5 | 80 | | | | | | |
| 20A(C)8,2Y006 | 8,2 | 11,32 | 26,40 | 250 | 3500 | 42,5 | 80 | | | | | | |
| 20A(C)10Y006 | 10 | 13,95 | 32,55 | 250 | 3500 | 47 | 89 | 39,7 | 19 | M8-6H | 30,2 | 14,2 | M6-6H |
| 20A(C)11Y006 | 11,3 | 15,76 | 36,78 | 250 | 3500 | 48 | 91,1 | | | | | | |
| 20A(C)12Y006 | 12 | 16,92 | 39,48 | 250 | 3500 | 48,6 | 92,3 | | | | | | |
| 20A(C)14Y006 | 14 | 19,95 | 46,55 | 250 | 3500 | 50 | 95,4 | | | | | | |
| 20A(C)15Y006 | 15 | 21,60 | 36,00 | 250 | 2500 | 51 | 96,9 | | | | | | |
| 20A(C)16Y006 | 16 | 23,04 | 38,40 | 250 | 2500 | 52 | 98,6 | | | | | | |
| 20A(C)19Y006 | 19 | 27,36 | 45,60 | 200 | 2500 | 54 | 103,5 | 39,7 | 19 | M8 | 39,7 | 19 | M8 |
| 20A(C)22Y006 | 22 | 31,68 | 42,24 | 180 | 2000 | 57 | 108,5 | | | | | | |
| 20A(C)25Y006 | 25 | 36,00 | 48,00 | 160 | 2000 | 59,2 | 113,4 | | | | | | |

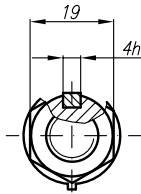


Variants M(G):
Designation 20A(C)...X008M(G)

| Type | Displacement cm ³ /rev | Flow | | Pressure P _{nom} bar | max Speed n rpm | Dimension | | | | | | | | | | | |
|------------------|--------------------------------------|----------------------|---------------------|-------------------------------------|-----------------------|-----------|---------|-------|-------|---------|------|----|--------|-------|---------|------|---|
| | | at 1500 rpm l/min | at max rpm l/min | | | A mm | B mm | Inlet | | | | | Outlet | | | | |
| | | | | | | E | F | d | M | G | U | E | F | d | M | G | U |
| 20A(C)4,5X008... | 4,5 | 6,14 | 14,33 | 250 | 3500 | 37,3 | 75,1 | 40 | M6-6H | M20x1,5 | G1/2 | 35 | 15 | M6-6H | M16x1,5 | G1/2 | |
| 20A(C)6,3X008... | 6,3 | 8,69 | 20,29 | 250 | 3500 | 38,6 | 78 | | | | | | | | | | |
| 20A(C)8,2X008... | 8,2 | 11,32 | 26,40 | 250 | 3500 | 40,6 | 78 | | | | | | | | | | |
| 20A(C)10X008... | 10 | 13,95 | 32,55 | 250 | 3500 | 45 | 87 | | | | | | | | | | |
| 20A(C)11X008... | 11,3 | 15,76 | 36,78 | 250 | 3500 | 45 | 89,1 | | | | | | | | | | |
| 20A(C)12X008... | 12 | 16,92 | 39,48 | 250 | 3500 | 45 | 90,3 | | | | | | | | | | |
| 20A(C)14X008... | 14 | 19,95 | 46,55 | 250 | 3500 | 45 | 93,4 | | | | | | | | | | |
| 20A(C)15X008... | 15 | 21,60 | 36,00 | 250 | 2500 | 45 | 94,9 | | | | | | | | | | |
| 20A(C)16X008... | 16 | 23,04 | 38,40 | 250 | 2500 | 45 | 96,5 | | | | | | | | | | |
| 20A(C)19X008... | 19 | 27,36 | 45,60 | 200 | 2500 | 45 | 101,5 | | | | | | | | | | |
| 20A(C)22X008... | 22 | 31,68 | 42,24 | 180 | 2000 | 52,5 | 106,5 | | | | | | | | | | |
| 20A(C)25X008... | 25 | 36,00 | 48,00 | 160 | 2000 | 57,2 | 111,4 | | | | | | | | | | |

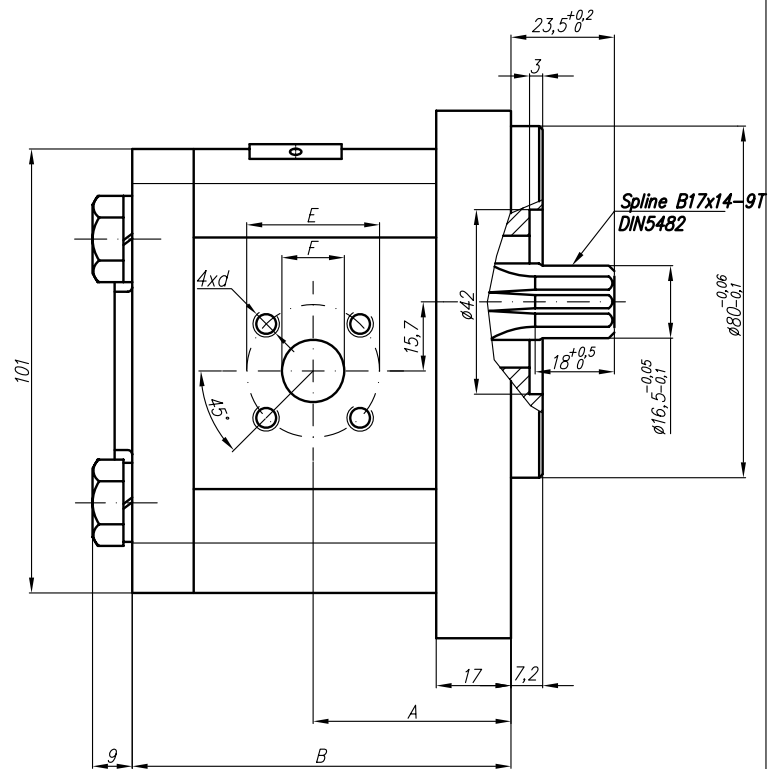
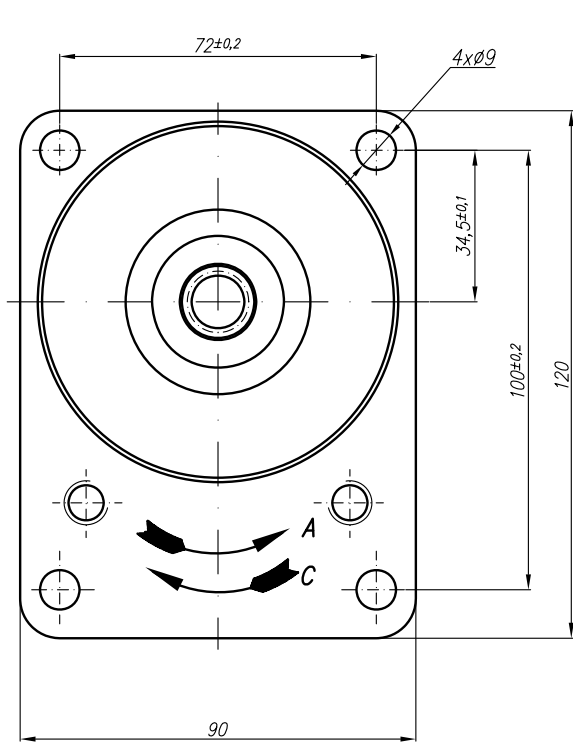


Variant key 4mm

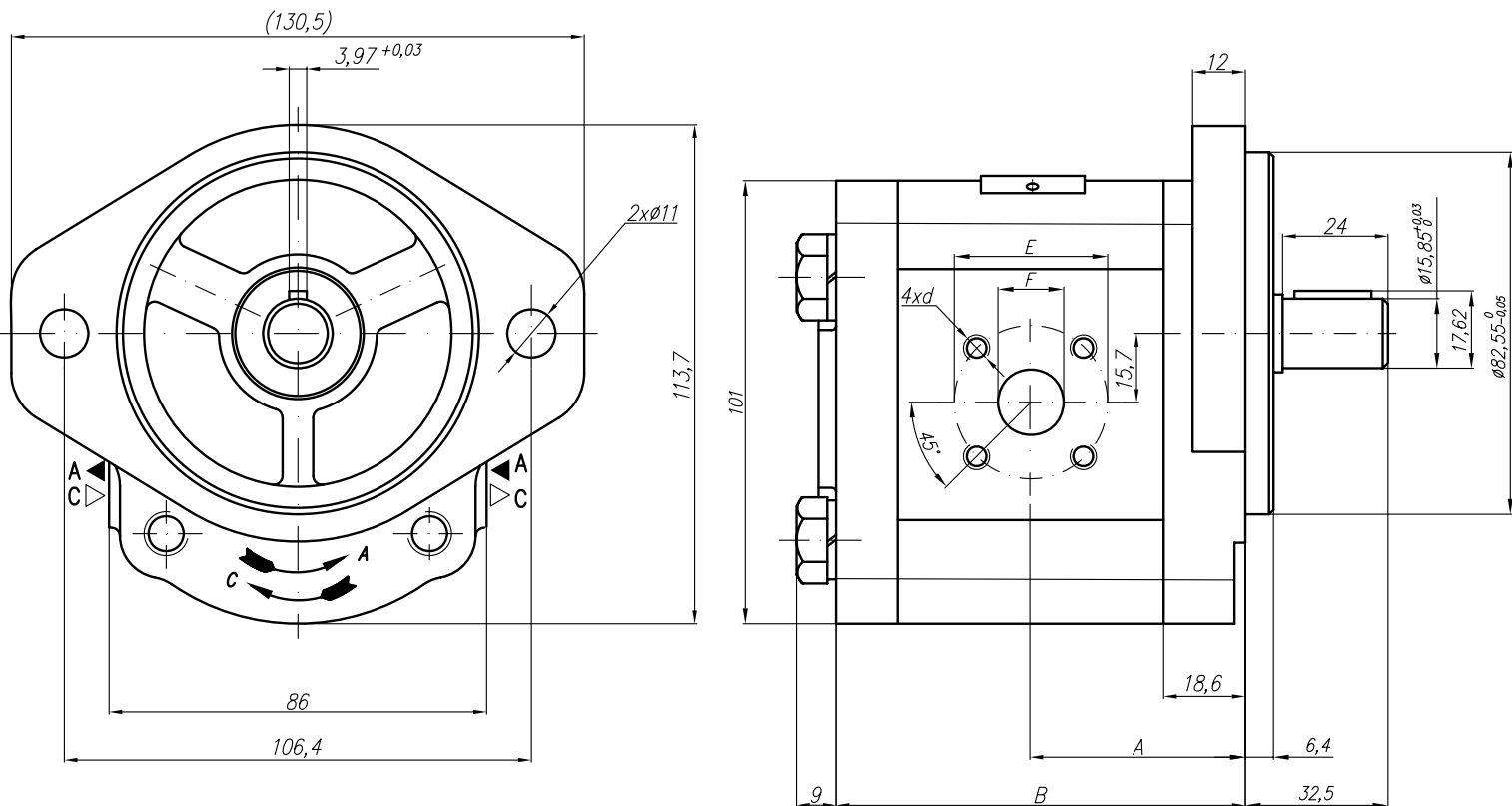


4h8 - Designation: 20A(C)...X516(F)
20A(C)...X516H(F)

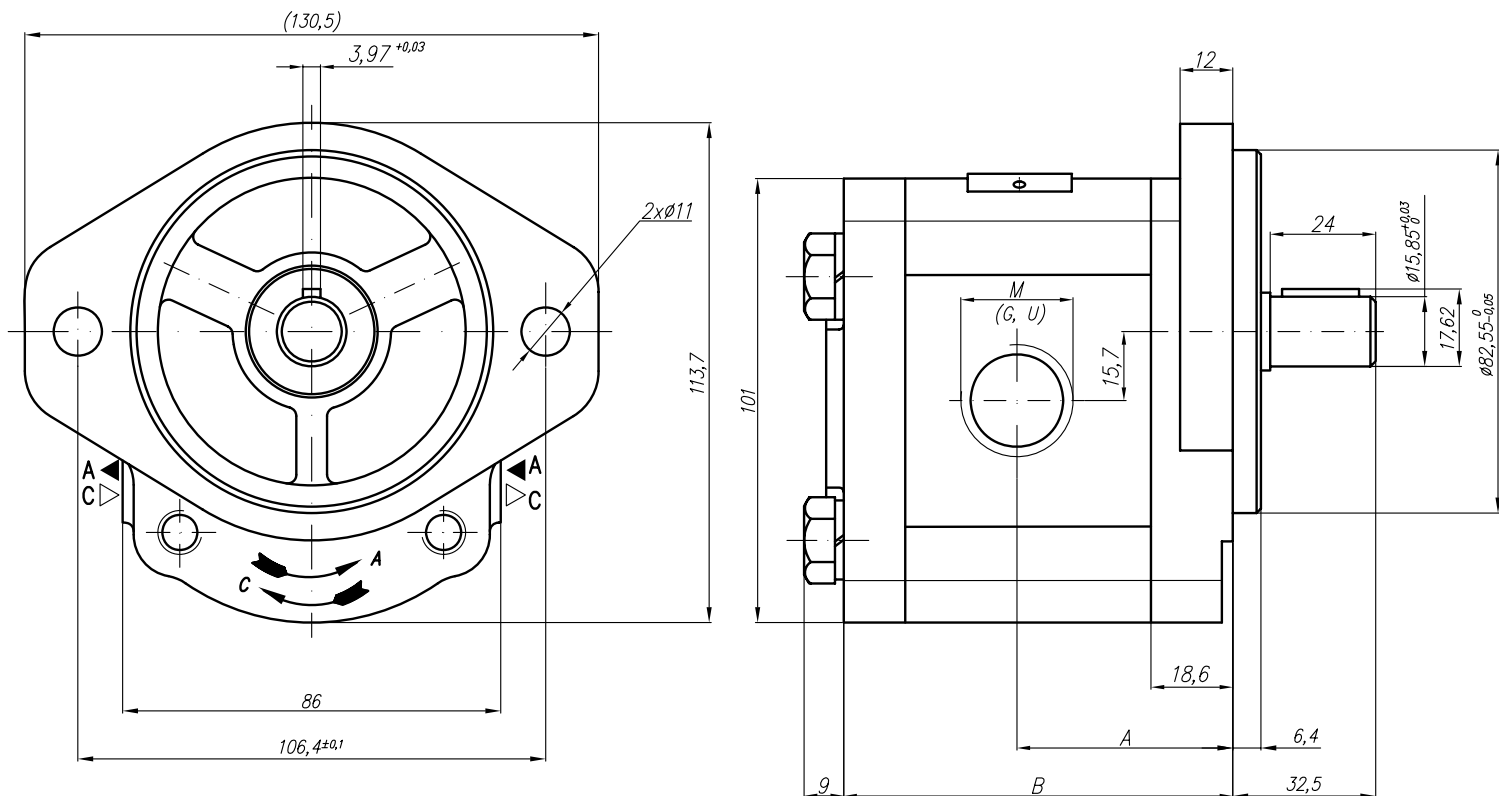
| Type | Displacement cm ³ /rev | Flow | | Pressure P _{nom} bar | max Speed n rpm | Dimension | | | | | | | | | | | | |
|--------------------|--------------------------------------|----------------------|---------------------|-------------------------------------|-----------------------|-----------|---------|---------|---------|------|---------|------|----|-------|----|----|---------|------|
| | | at 1500 rpm l/min | at max rpm l/min | | | A mm | B mm | Inlet | | | Outlet | | | | | | | |
| | | | | | | | | M | G | G1 | M | G | G1 | | | | | |
| 20A(C)4,5X016... | 4,5 | 6,14 | 14,33 | 250 | 3500 | 42,5 | 80 | M20x1,5 | G1/2 | G1 | M16x1,5 | G1/2 | | | | | | |
| 20A(C)6,3X016... | 6,3 | 8,69 | 20,29 | 250 | 3500 | 42,5 | 80 | | | | | | | | | | | |
| 20A(C)8,2X016... | 8,2 | 11,32 | 26,40 | 250 | 3500 | 42,5 | 80 | | | | | | | | | | | |
| 20A(C)10X016... | 10 | 13,95 | 32,55 | 250 | 3500 | 47 | 89 | | | | | | | | | | | |
| 20A(C)11X016... | 11,3 | 15,76 | 36,78 | 250 | 3500 | 48 | 91,1 | | | | | | | | | | | |
| 20A(C)12X016... | 12 | 16,92 | 39,48 | 250 | 3500 | 48,6 | 92,3 | | | | | | | | | | | |
| 20A(C)14X016... | 14 | 19,95 | 46,55 | 250 | 3500 | 50 | 95,4 | | | | | | | | | | | |
| 20A(C)15X016... | 15 | 21,60 | 36,00 | 250 | 2500 | 51 | 96,9 | | | | | | | | | | | |
| 20A(C)16X016... | 16 | 23,04 | 38,40 | 250 | 2500 | 52 | 98,6 | | | | | | | | | | | |
| 20A(C)19X016... | 19 | 27,36 | 45,60 | 200 | 2500 | 54 | 103,5 | | | | | | | | | | | |
| 20A(C)22X016... | 22 | 31,68 | 42,24 | 180 | 2000 | 57 | 108,5 | G1 | M20x1,5 | G1/2 | G3/4 | | | | | | | |
| 20A(C)25X016... | 25 | 36,00 | 48,00 | 160 | 2000 | 59,2 | 113,4 | | | | | | | | | | | |
| 20A(C)14X016H | 14 | 20,16 | 47,04 | 250 | 3500 | 55,3 | 105,7 | M20x1,5 | G3/4 | G1 | M16x1,5 | G1/2 | | | | | | |
| 20A(C)15X016H... | 15 | 21,60 | 43,20 | 250 | 3000 | 56 | 107,2 | | | | | | | | | | | |
| 20A(C)16X016H... | 16 | 23,04 | 46,08 | 250 | 3000 | 56,9 | 108,8 | | | | | | | | | | | |
| 20A(C)17,3X016H... | 17,3 | 24,91 | 49,82 | 230 | 3000 | 58 | 110,9 | | | | | | | | | | | |
| 20A(C)18,2X016H... | 18,2 | 26,21 | 52,42 | 210 | 3000 | 58,8 | 112,5 | | | | | | | | | | | |
| 20A(C)19X016H... | 19 | 27,36 | 54,72 | 200 | 3000 | 59,4 | 113,8 | | | | | | | | | | | |
| 20A(C)22X016H... | 22 | 31,68 | 52,80 | 180 | 2500 | 61,9 | 118,8 | | | | | | | | | | | |
| 20A(C)25X016H... | 25 | 36,00 | 60,00 | 160 | 2500 | 64,3 | 123,7 | | | | | | | | | | | |
| 20A(C)28X016H... | 28 | 40,32 | 67,20 | 130 | 2500 | 66,8 | 128,5 | | | | | | | M27x2 | G1 | G1 | M20x1,5 | G3/4 |
| 20A(C)32X016H... | 32 | 46,08 | 61,44 | 120 | 2000 | 70 | 134,8 | | | | | | | | | | | |
| 20A(C)36X016H... | 36 | 51,84 | 69,12 | 100 | 2000 | 73,2 | 141,4 | | | | | | | | | | | |



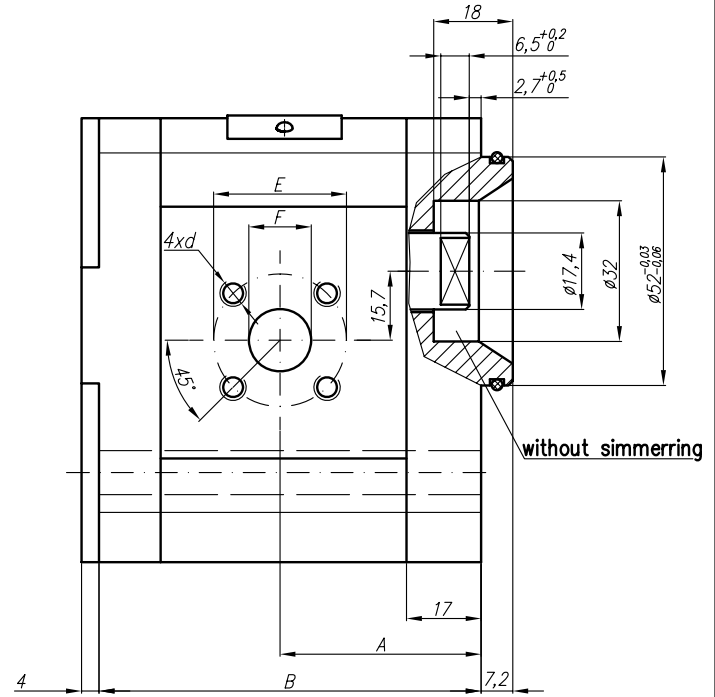
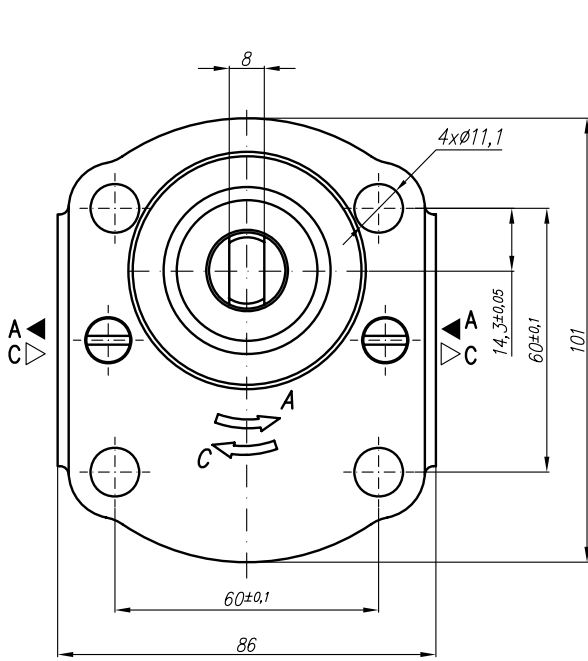
| Type | Displacement cm ³ /rev | Flow | | Pressure P _{nom} bar | max Speed n rpm | Dimension | | | | | | | | |
|---------------|--------------------------------------|----------------------|---------------------|-------------------------------------|-----------------------|-----------|---------|---------|---------|---------|---------|---------|---------|----|
| | | at 1500 rpm l/min | at max rpm l/min | | | Inlet | | | Outlet | | | | | |
| | | | | | | A mm | B mm | E mm | F mm | d mm | E mm | F mm | d mm | |
| 20A(C)4,5X021 | 4,5 | 6,14 | 14,33 | 250 | 3500 | 39,8 | 78 | 40 | 15 | M6-6H | 35 | 15 | M6-6H | |
| 20A(C)6,3X021 | 6,3 | 8,69 | 20,29 | 250 | 3500 | 41 | 81 | | | | | | | |
| 20A(C)8,2X021 | 8,2 | 11,32 | 26,40 | 250 | 3500 | 43,1 | 83,9 | | | | | | | |
| 20A(C)10X021 | 10 | 13,95 | 32,55 | 250 | 3500 | 47,5 | 87 | | 20 | | | | | |
| 20A(C)11X021 | 11,3 | 15,76 | 36,78 | 250 | 3500 | 47,5 | 89,1 | | | | | | | |
| 20A(C)12X021 | 12 | 16,92 | 39,48 | 250 | 3500 | 47,5 | 90,3 | | | | | | | |
| 20A(C)14X021 | 14 | 19,95 | 46,55 | 250 | 3500 | 47,5 | 93,4 | | M6-6H | | | | | |
| 20A(C)15X021 | 15 | 21,60 | 36,00 | 250 | 2500 | 47,5 | 94,9 | | | | | | | |
| 20A(C)16X021 | 16 | 23,04 | 38,40 | 250 | 2500 | 47,5 | 96,6 | | | | | | | |
| 20A(C)19X021 | 19 | 27,36 | 45,60 | 200 | 2500 | 47,5 | 101,5 | | 40 | | | | | 20 |
| 20A(C)22X021 | 22 | 31,68 | 42,24 | 180 | 2000 | 55 | 106,5 | | | | | | | |
| 20A(C)25X021 | 25 | 36,00 | 48,00 | 160 | 2000 | 57,2 | 111,4 | | | | | | | |



| Type | Displacement cm ³ /rev | Flow | | Pressure P _{nom} bar | max Speed n rpm | Dimension | | | | | | | |
|---------------|--------------------------------------|----------------------|---------------------|-------------------------------------|-----------------------|-----------|---------|---------|---------|---------|---------|---------|---------|
| | | at 1500 rpm l/min | at max rpm l/min | | | Inlet | | Outlet | | | | | |
| | | | | | | A mm | B mm | E mm | F mm | d mm | E mm | F mm | d mm |
| 20A(C)4,5X022 | 4,5 | 6,14 | 14,33 | 250 | 3500 | 41,4 | 79,6 | 40 | 15 | M6-6H | 35 | 15 | M6-6H |
| 20A(C)6,3X022 | 6,3 | 8,69 | 20,29 | 250 | 3500 | 42,6 | 82,6 | | | | | | |
| 20A(C)8,2X022 | 8,2 | 11,32 | 26,40 | 250 | 3500 | 44,7 | 85,5 | | | | | | |
| 20A(C)10X022 | 10 | 13,95 | 32,55 | 250 | 3500 | 49,1 | 88,6 | | | | | | |
| 20A(C)11X022 | 11,3 | 15,76 | 36,78 | 250 | 3500 | 49,1 | 90,7 | | | | | | |
| 20A(C)12X022 | 12 | 16,92 | 39,48 | 250 | 3500 | 49,1 | 91,9 | | | | | | |
| 20A(C)14X022 | 14 | 19,95 | 46,55 | 250 | 3500 | 49,1 | 95 | | | | | | |
| 20A(C)15X022 | 15 | 21,60 | 36,00 | 250 | 2500 | 49,1 | 96,5 | | | | | | |
| 20A(C)16X022 | 16 | 23,04 | 38,40 | 250 | 2500 | 49,1 | 98,2 | | | | | | |
| 20A(C)19X022 | 19 | 27,36 | 45,60 | 200 | 2500 | 49,1 | 103,1 | | | | | | |
| 20A(C)22X022 | 22 | 31,68 | 42,24 | 180 | 2000 | 56,6 | 108,1 | | | | | | |
| 20A(C)25X022 | 25 | 36,00 | 48,00 | 160 | 2000 | 58,8 | 113 | | | | | | |

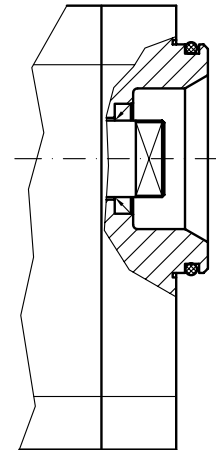


| Type | Displacement cm ³ /rev | Flow | | Pressure P _{nom} bar | max Speed n rpm | Dimension | | | | | | | |
|--------------------|--------------------------------------|----------------------|---------------------|-------------------------------------|-----------------------|-----------|---------|---------|---------|---------------|---------|------|---------------|
| | | at 1500 rpm l/min | at max rpm l/min | | | A mm | B mm | Inlet | | | Outlet | | |
| | | | | | | | | M | G | U | M | G | U |
| 20A(C)4,5X030... | 4,5 | 6,14 | 14,33 | 250 | 3500 | 41,4 | 79,6 | M20x1,5 | G1/2 | 1 1/16"-12UNF | M16x1,5 | G1/2 | 7/8"-14UNF |
| 20A(C)6,3X030... | 6,3 | 8,69 | 20,29 | 250 | 3500 | 42,6 | 82,6 | | | | | | |
| 20A(C)8,2X030... | 8,2 | 11,32 | 26,40 | 250 | 3500 | 44,7 | 85,5 | | | | | | |
| 20A(C)10X030... | 10 | 13,95 | 32,55 | 250 | 3500 | 49,1 | 88,6 | | | | | | |
| 20A(C)11X030... | 11,3 | 15,76 | 36,78 | 250 | 3500 | 49,1 | 90,7 | | | | | | |
| 20A(C)12X030... | 12 | 16,92 | 39,48 | 250 | 3500 | 49,1 | 91,9 | | | | | | |
| 20A(C)14X030... | 14 | 19,95 | 46,55 | 250 | 3500 | 49,1 | 95 | | | | | | |
| 20A(C)15X030... | 15 | 21,60 | 36,00 | 250 | 2500 | 49,1 | 96,5 | | | | | | |
| 20A(C)16X030... | 16 | 23,04 | 38,40 | 250 | 2500 | 49,1 | 98,2 | | | | | | |
| 20A(C)19X030... | 19 | 27,36 | 45,60 | 200 | 2500 | 49,1 | 103,1 | | | | | | |
| 20A(C)22X030... | 22 | 31,68 | 42,24 | 180 | 2000 | 56,6 | 108,1 | | | | | | |
| 20A(C)25X030... | 25 | 36,00 | 48,00 | 160 | 2000 | 58,8 | 113 | | | | | | |
| 20A(C)14X030H... | 14 | 20,16 | 47,04 | 250 | 3500 | 55,3 | 105,7 | | M20x1,5 | | G3/4 | | |
| 20A(C)15X030H... | 15 | 21,60 | 43,20 | 250 | 3000 | 55,6 | 106,8 | | | | | | |
| 20A(C)16X030H... | 16 | 23,04 | 46,08 | 250 | 3000 | 56,5 | 108,4 | | | | | | |
| 20A(C)17,3X030H... | 17,3 | 24,91 | 49,82 | 230 | 3000 | 57,6 | 110,5 | | | | | | |
| 20A(C)18,2X030H... | 18,2 | 26,21 | 52,42 | 210 | 3000 | 58,4 | 112,1 | | | | | | |
| 20A(C)19X030H... | 19 | 27,36 | 54,72 | 200 | 3000 | 59 | 113,4 | | | | | | |
| 20A(C)22X030H... | 22 | 31,68 | 52,80 | 180 | 2500 | 61,5 | 118,4 | | | | | | |
| 20A(C)25X030H... | 25 | 36,00 | 60,00 | 160 | 2500 | 63,9 | 123,3 | | | | | | |
| 20A(C)28X030H... | 28 | 40,32 | 67,20 | 130 | 2500 | 66,4 | 128,1 | | | | | | |
| 20A(C)32X030H... | 32 | 46,08 | 61,44 | 120 | 2000 | 69,6 | 134,4 | | | | | | |
| 20A(C)36X030H... | 36 | 51,84 | 69,12 | 100 | 2000 | 72,8 | 141 | M27x2 | G1 | 1 5/16"-12UNF | M20x1,5 | G3/4 | 1 1/16"-12UNF |

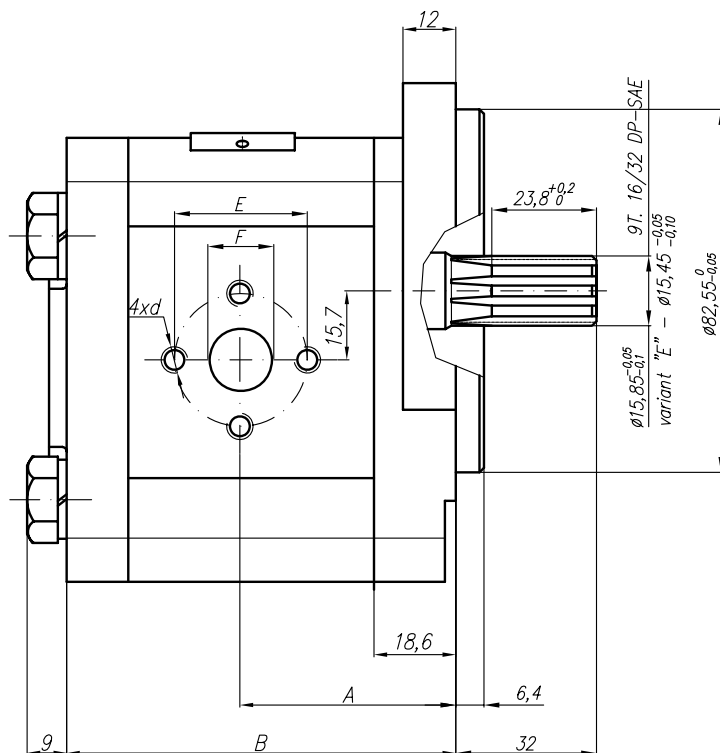
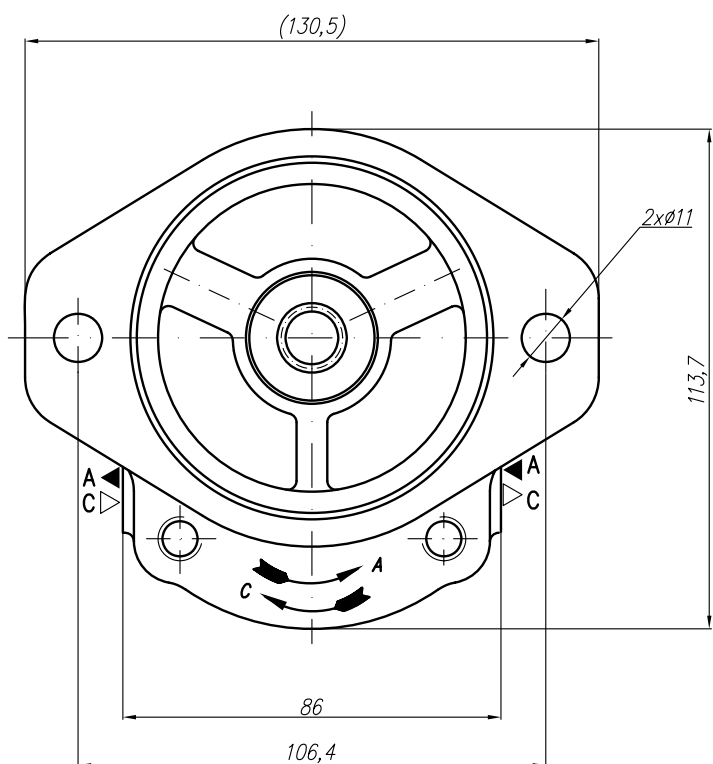


Variant with simmerring in front cover

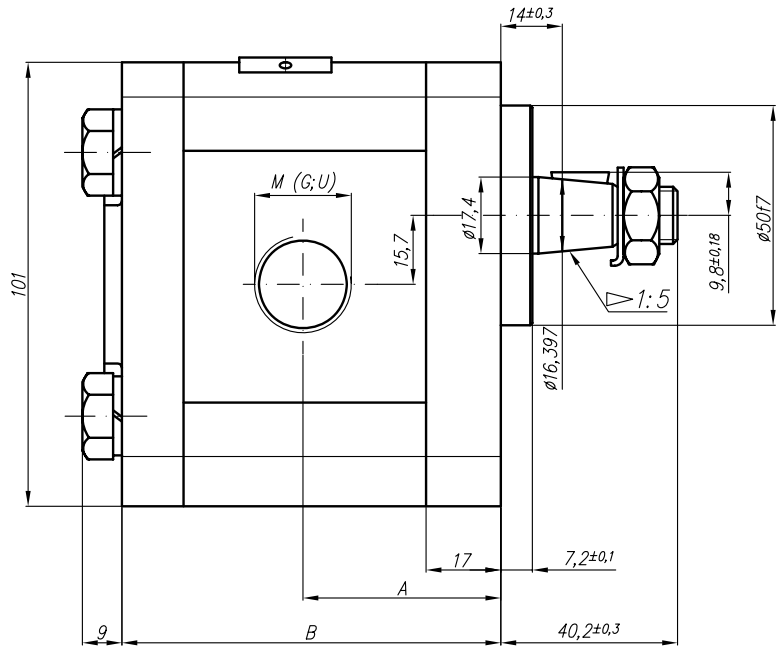
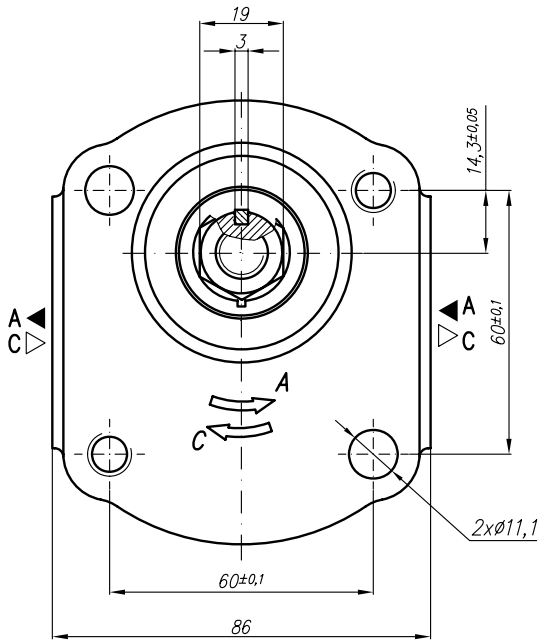
Designation: 20A(C)...X188AS



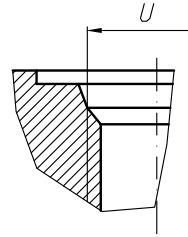
| Type | Displacement cm ³ /rev | Flow | | Pressure P _{nom} bar | max Speed n rpm | Dimension | | | | | | | | |
|---------------|--------------------------------------|----------------------|---------------------|-------------------------------------|-----------------------|-----------|---------|-------|---|---|--------|--|--|--|
| | | at 1500 rpm l/min | at max rpm l/min | | | A mm | B mm | Inlet | | | Outlet | | | |
| | | | | | | E | F | d | E | F | d | | | |
| 20A(C)4,5X072 | 4,5 | 6,14 | 14,33 | 250 | 3500 | 37,3 | 75,1 | | | | | | | |
| 20A(C)6,3X072 | 6,3 | 8,69 | 20,29 | 250 | 3500 | 38,6 | 78 | 15 | | | | | | |
| 20A(C)8,2X072 | 8,2 | 11,32 | 26,40 | 250 | 3500 | 40,6 | 78 | | | | | | | |
| 20A(C)10X072 | 10 | 13,95 | 32,55 | 250 | 3500 | 45 | 87 | | | | | | | |
| 20A(C)11X072 | 11,3 | 15,76 | 36,78 | 250 | 3500 | 45 | 89,1 | | | | | | | |
| 20A(C)12X072 | 12 | 16,92 | 39,48 | 250 | 3500 | 45 | 90,3 | | | | | | | |
| 20A(C)14X072 | 14 | 19,95 | 46,55 | 250 | 3500 | 45 | 93,4 | | | | | | | |
| 20A(C)15X072 | 15 | 21,60 | 36,00 | 250 | 2500 | 45 | 94,9 | | | | | | | |
| 20A(C)16X072 | 16 | 23,04 | 38,40 | 250 | 2500 | 45 | 96,5 | | | | | | | |
| 20A(C)19X072 | 19 | 27,36 | 45,60 | 200 | 2500 | 45 | 101,5 | | | | | | | |
| 20A(C)22X072 | 22 | 31,68 | 42,24 | 180 | 2000 | 52,5 | 106,5 | | | | | | | |
| 20A(C)25X072 | 25 | 36,00 | 48,00 | 160 | 2000 | 57,2 | 111,4 | | | | | | | |



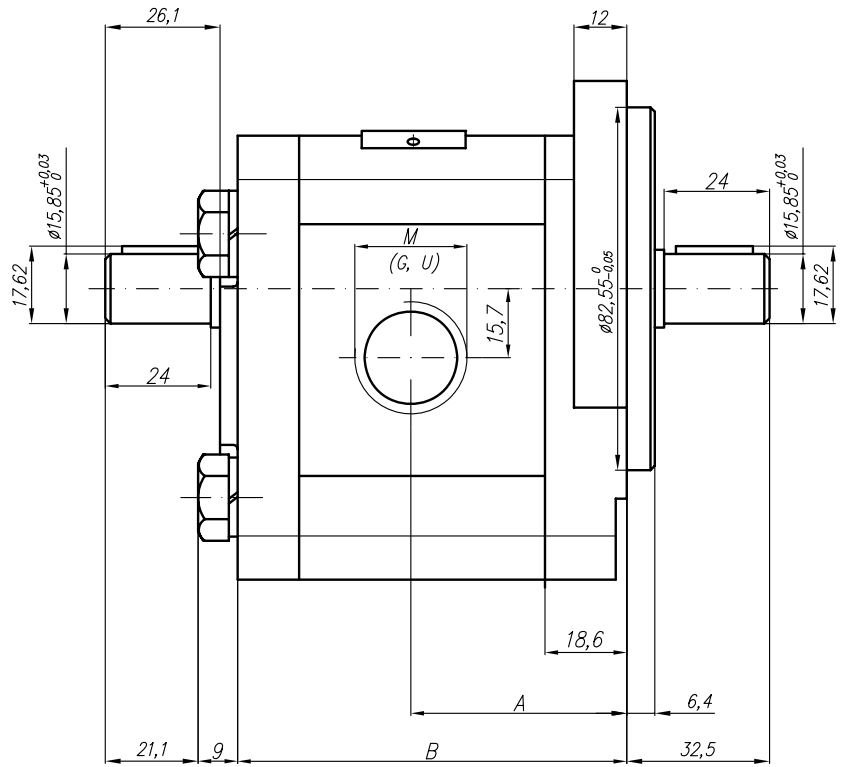
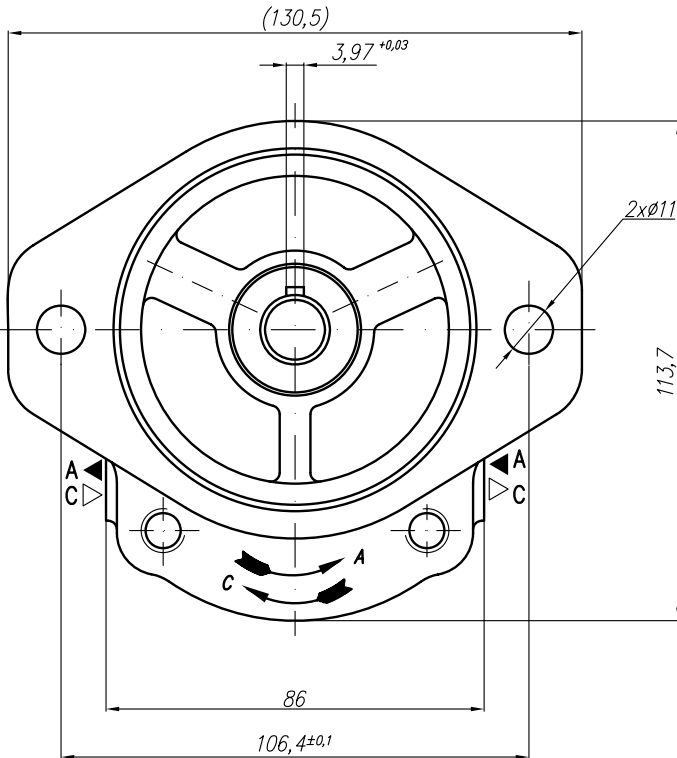
| Type | Displacement cm ³ /rev | Flow | | Pressure P _{nom} bar | max Speed n rpm | Dimension | | | | | | | | |
|-----------------|--------------------------------------|----------------------|---------------------|-------------------------------------|-----------------------|-----------|---------|-------|------|-------|--------|------|-------|--|
| | | at 1500 rpm l/min | at max rpm l/min | | | A mm | B mm | Inlet | | | Outlet | | | |
| | | | | | | E | F | d | E | F | d | | | |
| 20A(C)4,5X073 | 4,5 | 6,14 | 14,33 | 250 | 3500 | 42,1 | 79,6 | | | | | | | |
| 20A(C)6,3X073 | 6,3 | 8,69 | 20,29 | 250 | 3500 | 42,1 | 79,6 | 30,2 | 13,1 | M6-6H | | 13,1 | | |
| 20A(C)8,2X073 | 8,2 | 11,32 | 26,40 | 250 | 3500 | 42,1 | 79,6 | | | | | | | |
| 20A(C)10X073 | 10 | 13,95 | 32,55 | 250 | 3500 | 46,6 | 88,7 | | | | | | | |
| 20A(C)11X073 | 11,3 | 15,76 | 36,78 | 250 | 3500 | 47,6 | 90,7 | | | | | | | |
| 20A(C)12X073 | 12 | 16,92 | 39,48 | 250 | 3500 | 48,2 | 91,9 | | | | | | | |
| 20A(C)14X073 | 14 | 19,95 | 46,55 | 250 | 3500 | 49,6 | 95 | | | | | | | |
| 20A(C)15X073 | 15 | 21,60 | 36,00 | 250 | 2500 | 50,6 | 96,5 | 39,7 | 19 | M8-6H | 30,2 | 14,2 | M6-6H | |
| 20A(C)16X073 | 16 | 23,04 | 38,40 | 250 | 2500 | 51,6 | 98,2 | | | | | | | |
| 20A(C)19X073 | 19 | 27,36 | 45,60 | 200 | 2500 | 53,6 | 103,1 | | | | | | | |
| 20A(C)22X073 | 22 | 31,68 | 42,24 | 180 | 2000 | 56,6 | 108,1 | | | | | | | |
| 20A(C)25X073 | 25 | 36,00 | 48,00 | 160 | 2000 | 58,8 | 113 | | | | 39,7 | 19 | M8 | |
| 20A(C)14X073H | 14 | 20,16 | 47,04 | 250 | 3500 | 54,9 | 105,3 | 39,7 | 19 | M8-6H | | | | |
| 20A(C)15X073H | 15 | 21,60 | 43,20 | 250 | 3000 | 55,6 | 106,8 | | | | | | | |
| 20A(C)16X073H | 16 | 23,04 | 46,08 | 250 | 3000 | 56,5 | 108,4 | | | | | | | |
| 20A(C)17,3X073H | 17,3 | 24,91 | 49,82 | 230 | 3000 | 57,6 | 110,5 | | | | | | | |
| 20A(C)18,2X073H | 18,2 | 26,21 | 52,42 | 210 | 3000 | 58,4 | 112,1 | | | | | | | |
| 20A(C)19X073H | 19 | 27,36 | 54,72 | 200 | 3000 | 59 | 113,4 | | | | | | | |
| 20A(C)22X073H | 22 | 31,68 | 52,80 | 180 | 2500 | 61,5 | 118,4 | | | | | | | |
| 20A(C)25X073H | 25 | 36,00 | 60,00 | 160 | 2500 | 63,9 | 123,3 | | | | | | | |
| 20A(C)28X073H | 28 | 40,32 | 67,20 | 130 | 2500 | 66,4 | 128,1 | | | | | | | |
| 20A(C)32X073H | 32 | 46,08 | 61,44 | 120 | 2000 | 69,6 | 134,4 | | | | 39,7 | 19 | M8-6H | |
| 20A(C)36X073H | 36 | 51,84 | 69,12 | 100 | 2000 | 72,8 | 141 | | | | | | | |



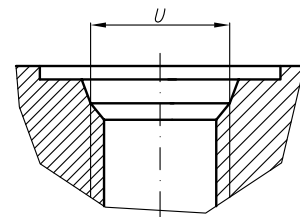
SAE J475 (ISO R725)



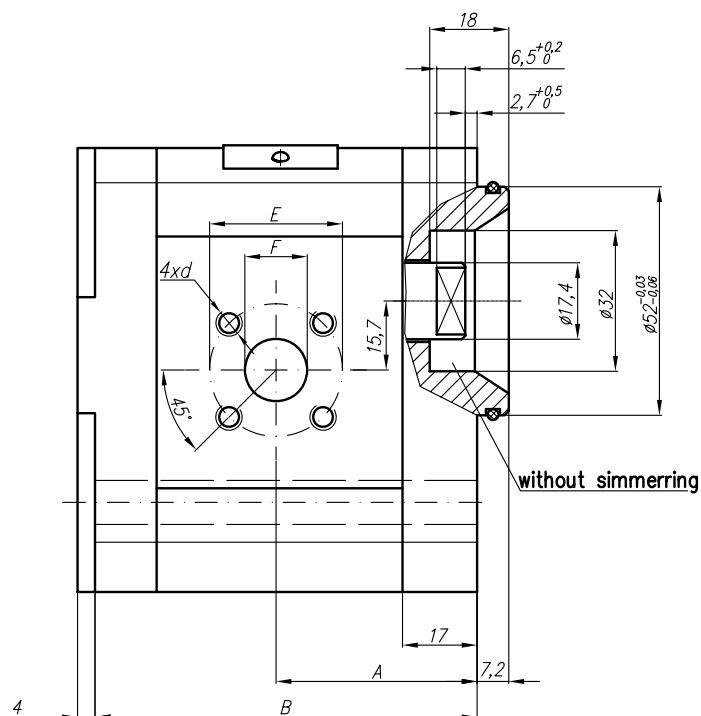
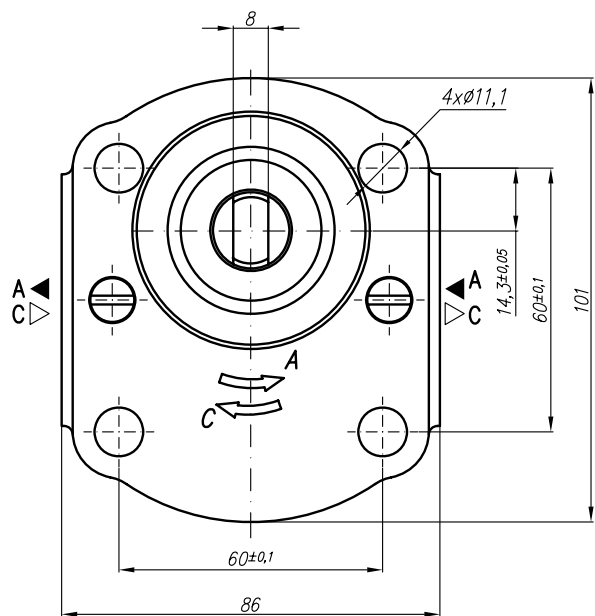
| Type | Displacement cm ³ /rev | Flow | | Pressure P _{nom} bar | max Speed n rpm | Dimension | | | | | | | |
|------------------|--------------------------------------|----------------------|---------------------|-------------------------------------|-----------------------|-----------|---------|---------|------|---------------|---------|------|------------|
| | | at 1500 rpm l/min | at max rpm l/min | | | A mm | B mm | Inlet | | | Outlet | | |
| | | | | | | | | M | G | U | M | G | U |
| 20A(C)4,5X074... | 4,5 | 6,14 | 14,33 | 250 | 3500 | 37,3 | 75,1 | M20x1,5 | G1/2 | 1 1/16"-12UNF | M16x1,5 | G1/2 | 7/8"-14UNF |
| 20A(C)6,3X074... | 6,3 | 8,69 | 20,29 | 250 | 3500 | 38,6 | 78 | | | | | | |
| 20A(C)8,2X074... | 8,2 | 11,32 | 26,40 | 250 | 3500 | 40,6 | 78 | | | | | | |
| 20A(C)10X074... | 10 | 13,95 | 32,55 | 250 | 3500 | 45 | 87 | | | | | | |
| 20A(C)11X074... | 11,3 | 15,76 | 36,78 | 250 | 3500 | 45 | 89,1 | | | | | | |
| 20A(C)12X074... | 12 | 16,92 | 39,48 | 250 | 3500 | 45 | 90,3 | | | | | | |
| 20A(C)14X074... | 14 | 19,95 | 46,55 | 250 | 3500 | 45 | 93,4 | | | | | | |
| 20A(C)15X074... | 15 | 21,60 | 36,00 | 250 | 2500 | 45 | 94,9 | | | | | | |
| 20A(C)16X074... | 16 | 23,04 | 38,40 | 250 | 2500 | 45 | 96,5 | | | | | | |
| 20A(C)19X074... | 19 | 27,36 | 45,60 | 200 | 2500 | 45 | 101,5 | | | | | | |
| 20A(C)22X074... | 22 | 31,68 | 42,24 | 180 | 2000 | 52,5 | 106,5 | | | | | | |
| 20A(C)25X074... | 25 | 36,00 | 48,00 | 160 | 2000 | 57,2 | 111,4 | | | | | | |



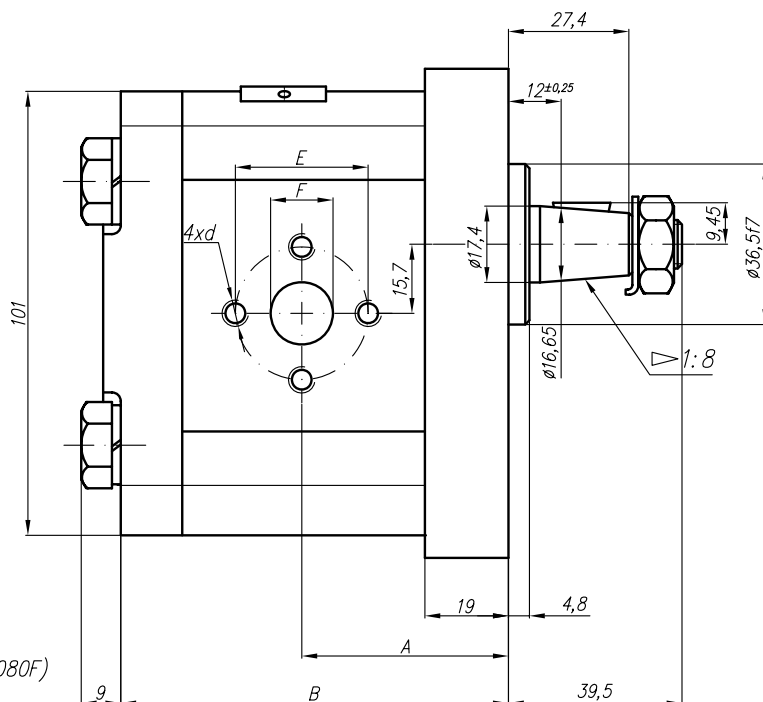
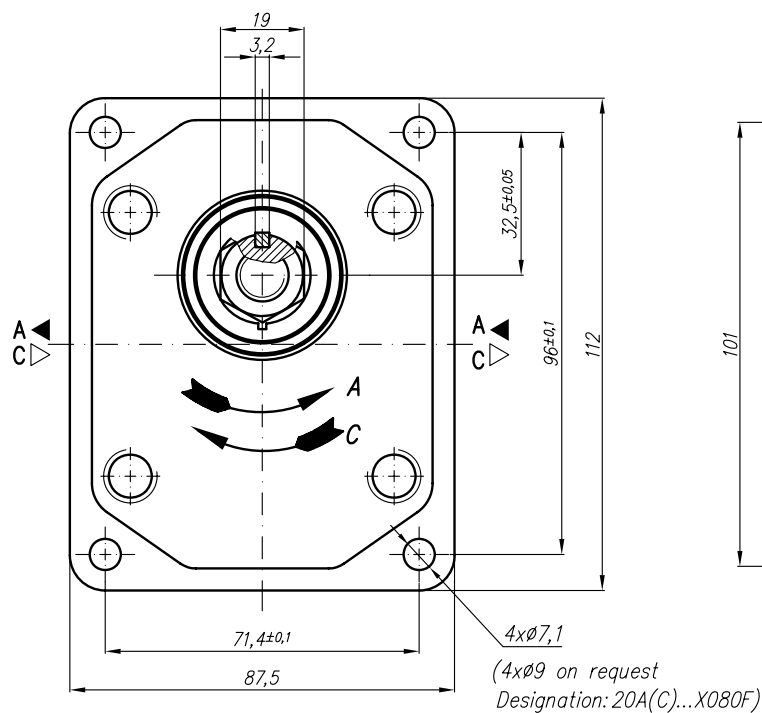
SAE J475 (ISO R725)



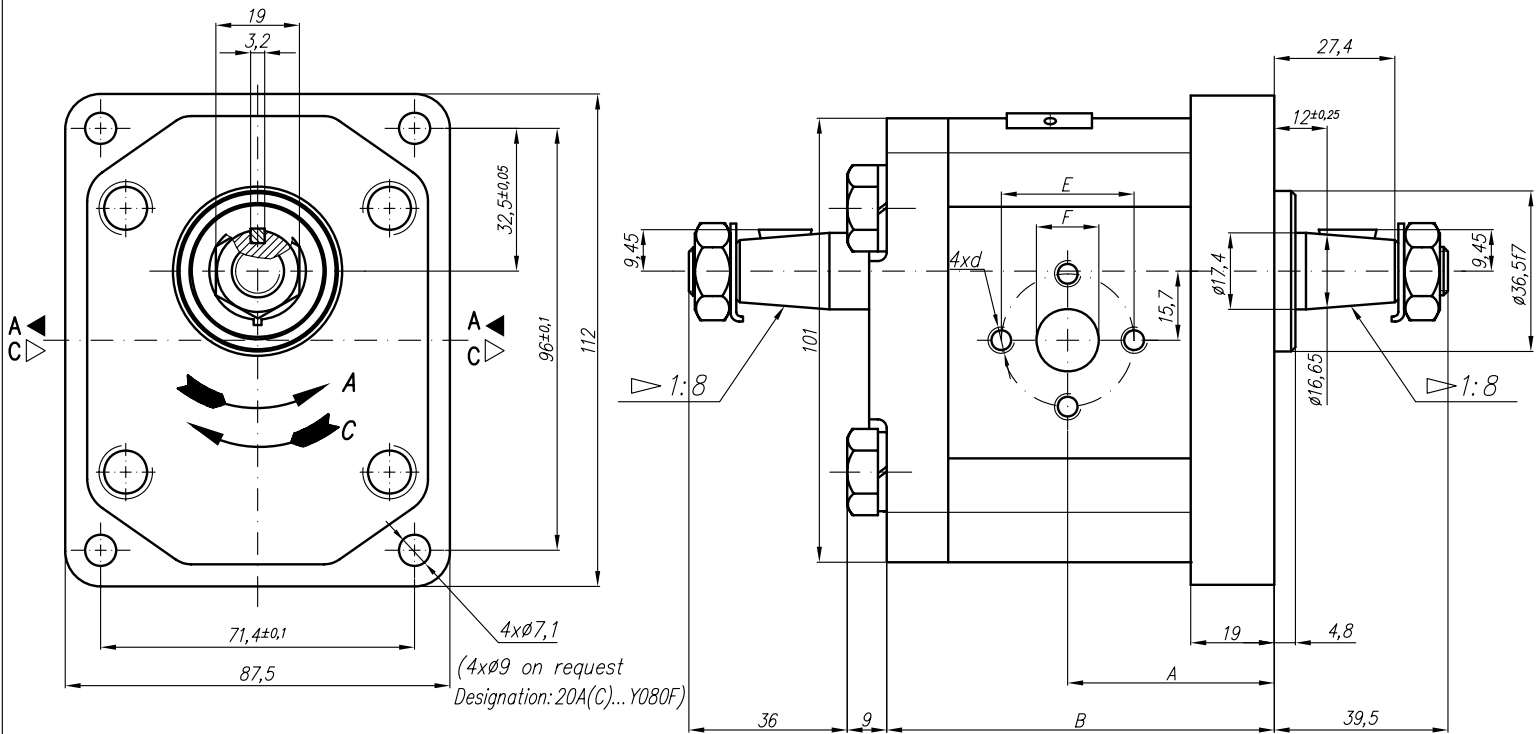
| Type | Displacement cm ³ /rev | Flow | | Pressure P _{nom} bar | max Speed n rpm | Dimension | | | | | | | |
|------------------|--------------------------------------|----------------------|---------------------|-------------------------------------|-----------------------|-----------|---------|---------|---------|---------------|---------|------|------------|
| | | at 1500 rpm l/min | at max rpm l/min | | | A mm | B mm | Inlet | | | Outlet | | |
| | | | | | | | | M | G | U | M | G | U |
| 20A(C)4,5Y075... | 4,5 | 6,14 | 14,33 | 250 | 3500 | 42 | 79,6 | M20x1,5 | G1/2 | 1 1/16"-12UNF | M16x1,5 | G1/2 | 7/8"-14UNF |
| 20A(C)6,3Y075... | 6,3 | 8,69 | 20,29 | 250 | 3500 | 43,6 | 82,6 | | | | | | |
| 20A(C)8,2Y075... | 8,2 | 11,32 | 26,40 | 250 | 3500 | 45 | 85,6 | | | | | | |
| 20A(C)10Y075... | 10 | 13,95 | 32,55 | 250 | 3500 | 46,6 | 88,7 | | | | | | |
| 20A(C)11Y075... | 11,3 | 15,76 | 36,78 | 250 | 3500 | 47,6 | 90,7 | | | | | | |
| 20A(C)12Y075... | 12 | 16,92 | 39,48 | 250 | 3500 | 48,2 | 91,9 | | | | | | |
| 20A(C)14Y075... | 14 | 19,95 | 46,55 | 250 | 3500 | 49,6 | 95 | | G3/4 | | | | |
| 20A(C)15Y075... | 15 | 21,60 | 36,00 | 250 | 2500 | 50,6 | 96,5 | | | | | | |
| 20A(C)16Y075... | 16 | 23,04 | 38,40 | 250 | 2500 | 51,6 | 98,2 | | | | | | |
| 20A(C)19Y075... | 19 | 27,36 | 45,60 | 200 | 2500 | 53,6 | 103,1 | | M20X1,5 | | | | |
| 20A(C)22Y075... | 22 | 31,68 | 42,24 | 180 | 2000 | 56,6 | 108,1 | | | | | | |
| 20A(C)25Y075... | 25 | 36,00 | 48,00 | 160 | 2000 | 58,8 | 113 | | | | | | |



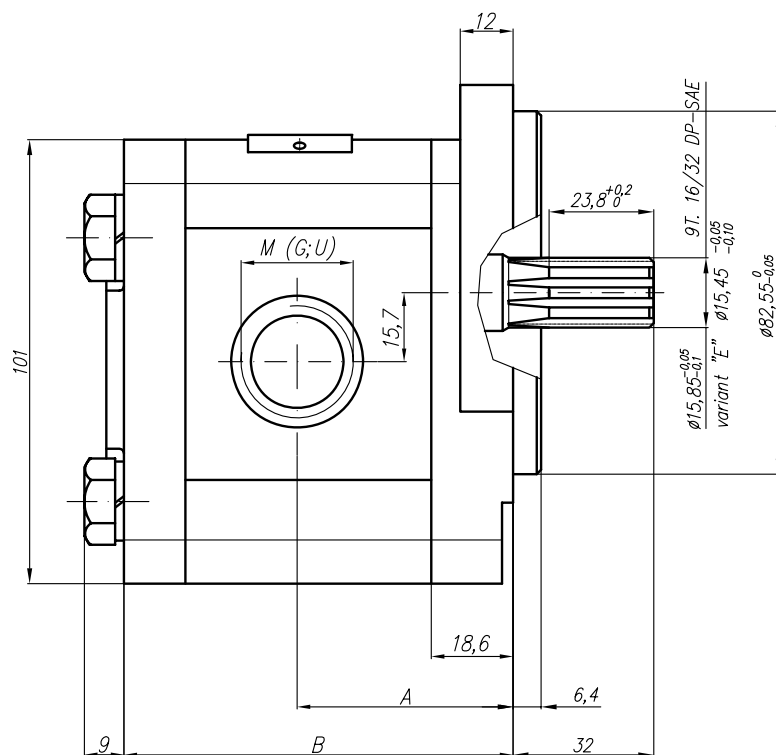
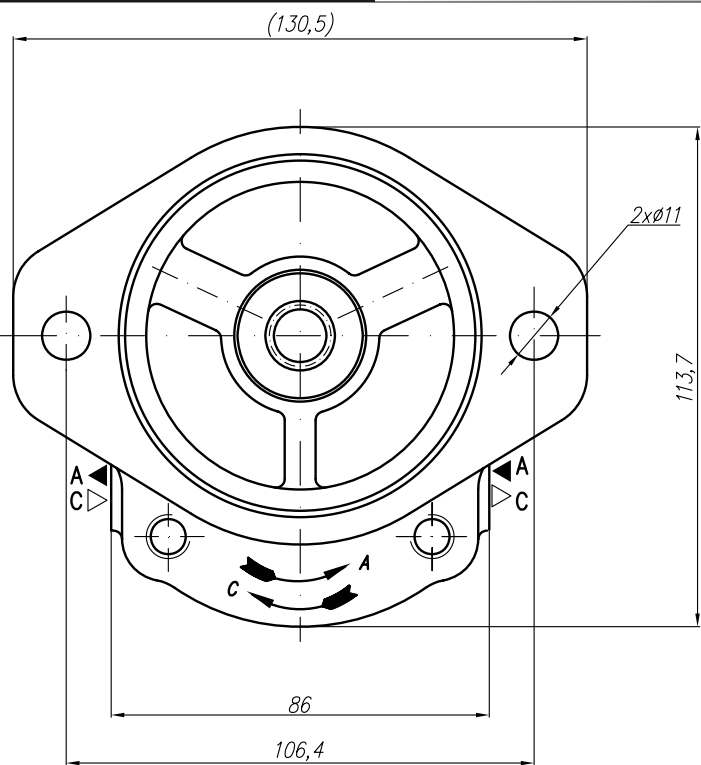
| Type | Displacement cm ³ /rev | Flow | | Pressure P _{nom} bar | max Speed n rpm | Dimension | | | | | | | |
|----------------|--------------------------------------|----------------------|---------------------|-------------------------------------|-----------------------|-----------|---------|-------|----|-------|--------|----|-------|
| | | at 1500 rpm l/min | at max rpm l/min | | | A mm | B mm | Inlet | | | Outlet | | |
| | | | | | | | | E | F | d | E | F | d |
| 20A(C)4,5X077 | 4,5 | 6,14 | 14,33 | 250 | 3500 | 37,3 | 78 | 40 | 15 | M6-6H | 35 | 15 | M6-6H |
| 20A(C)6,3X077 | 6,3 | 8,69 | 20,29 | 250 | 3500 | 38,6 | 81 | | | | | | |
| 20A(C)8,2X077 | 8,2 | 11,32 | 26,40 | 250 | 3500 | 40,6 | 83,9 | | | | | | |
| 20A(C)10X077 | 10 | 13,95 | 32,55 | 250 | 3500 | 45 | 87 | | | | | | |
| 20A(C)11X077 | 11,3 | 15,76 | 36,78 | 250 | 3500 | 45 | 89 | | | | | | |
| 20A(C)12X077 | 12 | 16,92 | 39,48 | 250 | 3500 | 45 | 90,3 | | | | | | |
| 20A(C)14X077 | 14 | 19,95 | 46,55 | 250 | 3500 | 45 | 93,4 | | | | | | |
| 20A(C)15X077 | 15 | 21,60 | 36,00 | 250 | 2500 | 45 | 95 | | | | | | |
| 20A(C)16X077 | 16 | 23,04 | 38,40 | 250 | 2500 | 45 | 96,5 | | | | | | |
| 20A(C)19X077 | 19 | 27,36 | 45,60 | 200 | 2500 | 45 | 101,5 | | | | | | |
| 20A(C)22X077 | 22 | 31,68 | 42,24 | 180 | 2000 | 52,5 | 106,5 | | | | | | |
| 20A(C)25X077 | 25 | 36,00 | 48,00 | 160 | 2000 | 57,2 | 111,4 | | | | | | |
| 20A(C)14X077H | 14 | 20,16 | 47,04 | 250 | 3500 | 50 | 103,7 | | | | | | |
| 20A(C)4,5X077H | 15 | 21,60 | 43,20 | 250 | 3000 | 54 | 105,2 | | | | | | |
| 20A(C)6,3X077H | 16 | 23,04 | 46,08 | 250 | 3000 | 54,9 | 106,8 | | | | | | |
| 20A(C)8,2X077H | 17,3 | 24,91 | 49,82 | 230 | 3000 | 56 | 108,9 | | | | | | |
| 20A(C)10X077H | 18,2 | 26,21 | 52,42 | 210 | 3000 | 56,8 | 110,5 | | | | | | |
| 20A(C)11X077H | 19 | 27,36 | 54,72 | 200 | 3000 | 57,4 | 111,8 | | | | | | |
| 20A(C)12X077H | 22 | 31,68 | 52,80 | 180 | 2500 | 59,9 | 116,8 | | | | | | |
| 20A(C)14X077H | 25 | 36,00 | 60,00 | 160 | 2500 | 62,3 | 121,7 | | | | | | |
| 20A(C)15X077H | 28 | 40,32 | 67,20 | 130 | 2500 | 64,8 | 126,5 | | | | | | |
| 20A(C)16X077H | 32 | 46,08 | 61,44 | 120 | 2000 | 68 | 132,8 | | | | | | |
| 20A(C)19X077H | 36 | 51,84 | 69,12 | 100 | 2000 | 71,2 | 139,4 | | | | | | |



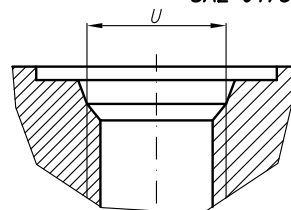
| Type | Displacement cm ³ /rev | Flow | | Pressure P _{nom} bar | max Speed n rpm | Dimension | | | | | | | |
|-----------------|--------------------------------------|----------------------|---------------------|-------------------------------------|-----------------------|-----------|---------|-------|------|-------------|--------|------|-------------|
| | | at 1500 rpm l/min | at max rpm l/min | | | A mm | B mm | Inlet | | | Outlet | | |
| | | | | | | | | E | F | d | E | F | d |
| 20A(C)4,5X080 | 4,5 | 6,14 | 14,33 | 250 | 3500 | 42,5 | 80 | 30,2 | 13,1 | 1/4-20UNC | 30,2 | 13,1 | 1/4"-20UNC |
| 20A(C)6,3X080 | 6,3 | 8,69 | 20,29 | 250 | 3500 | 42,5 | 80 | | | | | | |
| 20A(C)8,2X080 | 8,2 | 11,32 | 26,40 | 250 | 3500 | 42,5 | 80 | | | | | | |
| 20A(C)10X080 | 10 | 13,95 | 32,55 | 250 | 3500 | 47 | 89 | 39,7 | 19 | 5/16"-18UNC | 30,2 | 14,2 | 1/4"-20UNC |
| 20A(C)11X080 | 11,3 | 15,76 | 36,78 | 250 | 3500 | 48 | 91,1 | | | | | | |
| 20A(C)12X080 | 12 | 16,92 | 39,48 | 250 | 3500 | 48,6 | 92,3 | | | | | | |
| 20A(C)14X080 | 14 | 19,95 | 46,55 | 250 | 3500 | 50 | 95,4 | 39,7 | 19 | 5/16"-18UNC | 30,2 | 14,2 | 1/4"-20UNC |
| 20A(C)15X080 | 15 | 21,60 | 36,00 | 250 | 2500 | 51 | 96,9 | | | | | | |
| 20A(C)16X080 | 16 | 23,04 | 38,40 | 250 | 2500 | 52 | 98,6 | | | | | | |
| 20A(C)19X080 | 19 | 27,36 | 45,60 | 200 | 2500 | 54 | 103,5 | 39,7 | 19 | 5/16"-18UNC | 30,2 | 19 | 5/16" |
| 20A(C)22X080 | 22 | 31,68 | 42,24 | 180 | 2000 | 57 | 108,5 | | | | | | |
| 20A(C)25X080 | 25 | 36,00 | 48,00 | 160 | 2000 | 59,2 | 113,4 | | | | | | |
| 20A(C)14X080H | 14 | 20,16 | 47,04 | 250 | 3500 | 55,3 | 105,7 | 39,7 | 19 | 5/16"-18UNC | 30,2 | 14,2 | 1/4"-20UNC |
| 20A(C)15X080H | 15 | 21,60 | 43,20 | 250 | 3000 | 56 | 107,2 | | | | | | |
| 20A(C)16X080H | 16 | 23,04 | 46,08 | 250 | 3000 | 56,9 | 108,8 | | | | | | |
| 20A(C)17,3X080H | 17,3 | 24,91 | 49,82 | 230 | 3000 | 58 | 110,9 | 39,7 | 19 | 5/16"-18UNC | 30,2 | 14,2 | 1/4"-20UNC |
| 20A(C)18,2X080H | 18,2 | 26,21 | 52,42 | 210 | 3000 | 58,8 | 112,5 | | | | | | |
| 20A(C)19X080H | 19 | 27,36 | 54,72 | 200 | 3000 | 59,4 | 113,8 | | | | | | |
| 20A(C)22X080H | 22 | 31,68 | 52,80 | 180 | 2500 | 61,9 | 118,8 | 39,7 | 19 | 5/16"-18UNC | 30,2 | 19 | 5/16"-18UNC |
| 20A(C)25X080H | 25 | 36,00 | 60,00 | 160 | 2500 | 64,3 | 123,7 | | | | | | |
| 20A(C)28X080H | 28 | 40,32 | 67,20 | 130 | 2500 | 66,8 | 128,5 | | | | | | |
| 20A(C)32X080H | 32 | 46,08 | 61,44 | 120 | 2000 | 70 | 134,8 | 39,7 | 19 | 5/16"-18UNC | 30,2 | 19 | 5/16"-18UNC |
| 20A(C)36X080H | 36 | 51,84 | 69,12 | 100 | 2000 | 73,2 | 141,4 | | | | | | |



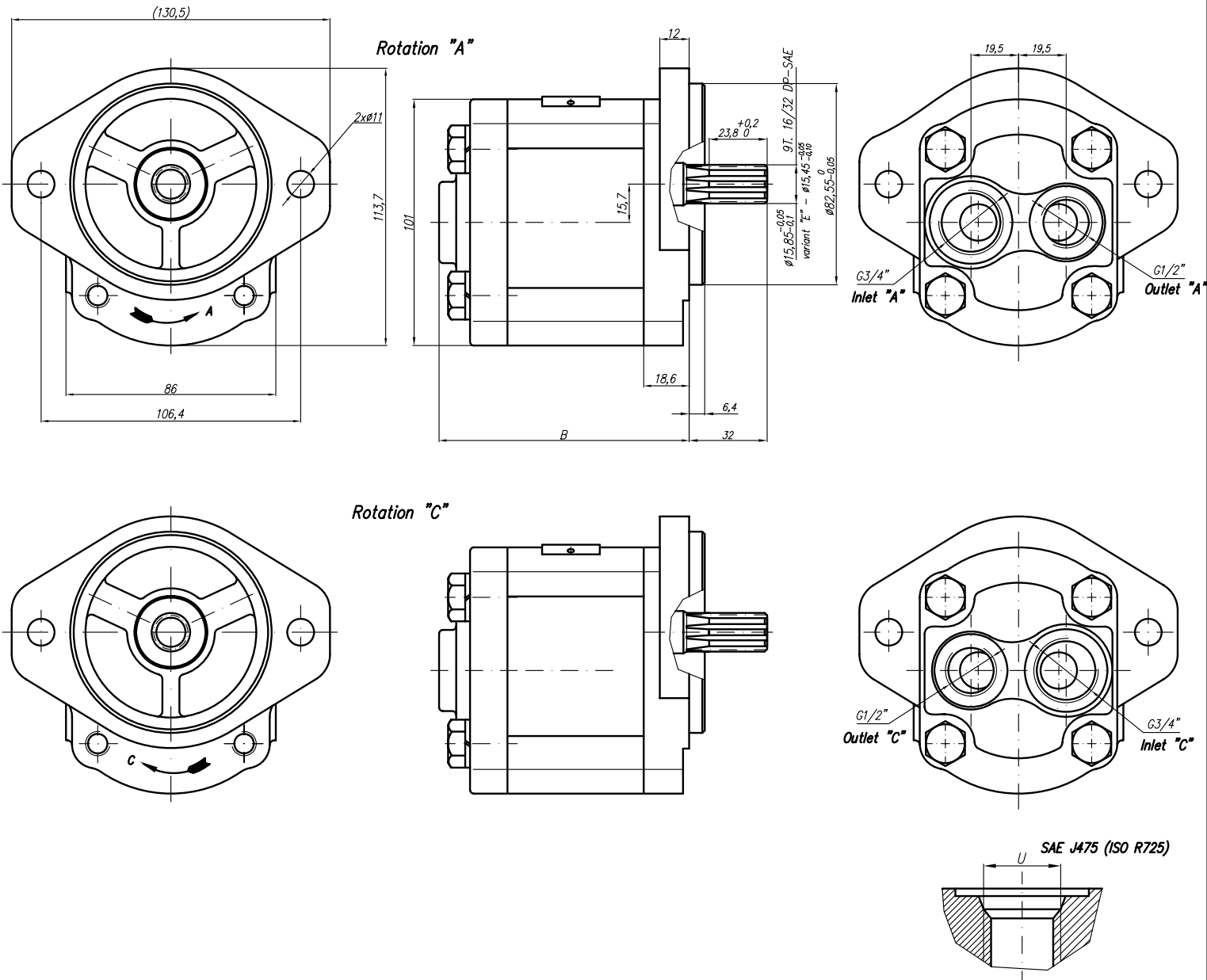
| Type | Displacement cm ³ /rev | Flow | | Pressure P _{nom} bar | max Speed n rpm | Dimension | | | | | | | |
|---------------|--------------------------------------|----------------------|---------------------|-------------------------------------|-----------------------|-----------|---------|-------|------|-------------|--------|------|------------|
| | | at 1500 rpm l/min | at max rpm l/min | | | A mm | B mm | Inlet | | | Outlet | | |
| | | | | | | | | E | F | d | E | F | d |
| 20A(C)4,5Y080 | 4,5 | 6,14 | 14,33 | 250 | 3500 | 42,5 | 80 | 30,2 | 13,1 | 1/4"-20UNC | 30,2 | 13,1 | 1/4"-20UNC |
| 20A(C)6,3Y080 | 6,3 | 8,69 | 20,29 | 250 | 3500 | 42,5 | 80 | | | | | | |
| 20A(C)8,2Y080 | 8,2 | 11,32 | 26,40 | 250 | 3500 | 42,5 | 80 | | | | | | |
| 20A(C)10Y080 | 10 | 13,95 | 32,55 | 250 | 3500 | 47 | 89 | 39,7 | 19 | 5/16"-18UNC | 30,2 | 14,2 | 1/4"-20UNC |
| 20A(C)11Y080 | 11,3 | 15,76 | 36,78 | 250 | 3500 | 48 | 91,1 | | | | | | |
| 20A(C)12Y080 | 12 | 16,92 | 39,48 | 250 | 3500 | 48,6 | 92,3 | | | | | | |
| 20A(C)14Y080 | 14 | 19,95 | 46,55 | 250 | 3500 | 50 | 95,4 | | | | | | |
| 20A(C)15Y080 | 15 | 21,60 | 36,00 | 250 | 2500 | 51 | 96,9 | | | | | | |
| 20A(C)16Y080 | 16 | 23,04 | 38,40 | 250 | 2500 | 52 | 98,6 | | | | | | |
| 20A(C)19Y080 | 19 | 27,36 | 45,60 | 200 | 2500 | 54 | 103,5 | 39,7 | 19 | 5/16" | 39,7 | 19 | 5/16" |
| 20A(C)22Y080 | 22 | 31,68 | 42,24 | 180 | 2000 | 57 | 108,5 | | | | | | |
| 20A(C)25Y080 | 25 | 36,00 | 48,00 | 160 | 2000 | 59,2 | 113,4 | | | | | | |



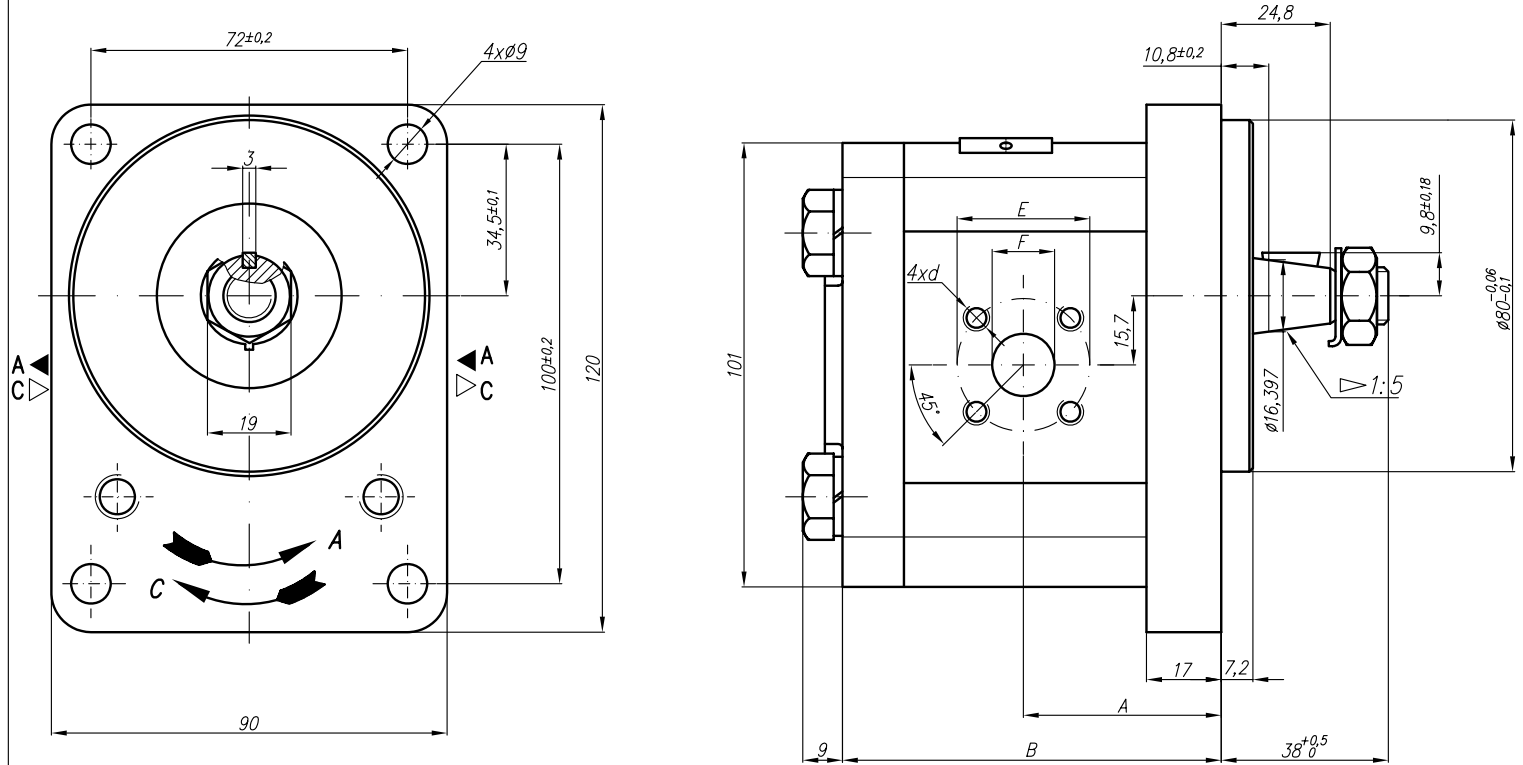
SAE J475 (ISO R725)



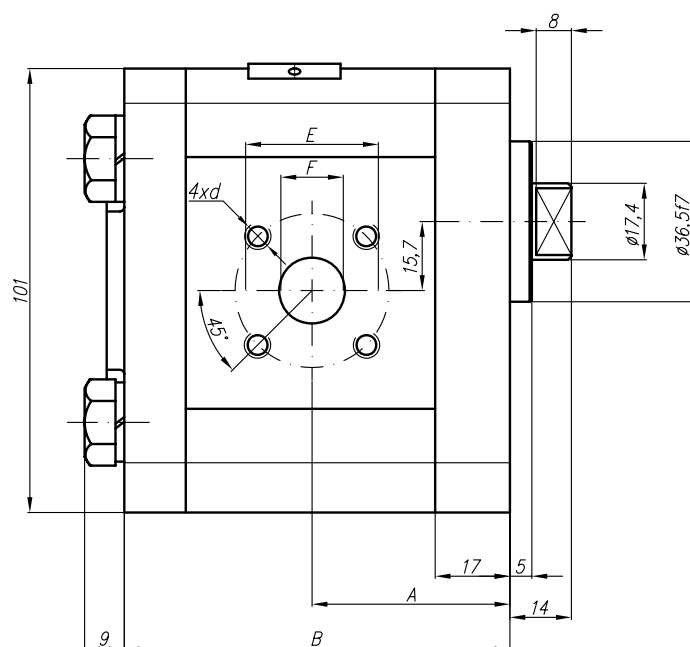
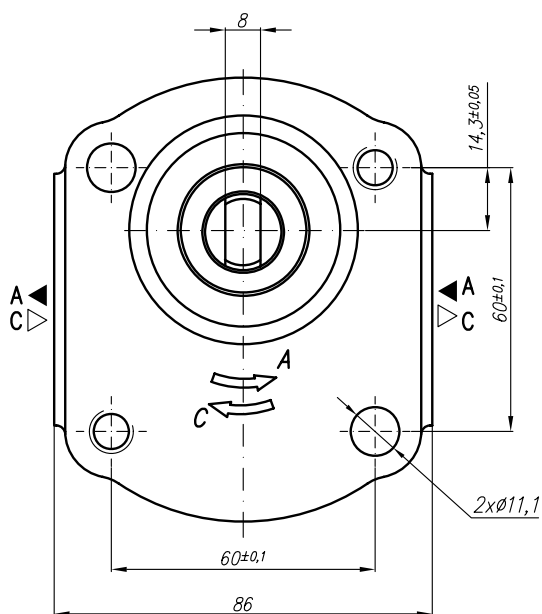
| Type | Displacement cm ³ /rev | Flow | | Pressure P _{nom} bar | max Speed n rpm | Dimension | | | | | | | | | | | | | |
|--------------------|--------------------------------------|----------------------|---------------------|-------------------------------------|-----------------------|-----------|---------|---------|--------|---------------|---------|------|------------|---------|------|---------------|---------|------|------------|
| | | at 1500 rpm l/min | at max rpm l/min | | | Inlet | | | Outlet | | | | | | | | | | |
| | | | | | | A mm | B mm | M | G | U | M | G | U | | | | | | |
| 20A(C)4,5X085... | 4,5 | 6,14 | 14,33 | 250 | 3500 | 42 | 79,6 | M20x1,5 | G1/2 | 1 1/16"-12UNF | M16x1,5 | G1/2 | 7/8"-14UNF | | | | | | |
| 20A(C)6,3X085... | 6,3 | 8,69 | 20,29 | 250 | 3500 | 43,6 | 82,6 | | | | | | | | | | | | |
| 20A(C)8,2X085... | 8,2 | 11,32 | 26,40 | 250 | 3500 | 45 | 85,6 | | | | | | | | | | | | |
| 20A(C)10X085... | 10 | 13,95 | 32,55 | 250 | 3500 | 46,6 | 88,7 | | | | | | | | | | | | |
| 20A(C)11X085... | 11,3 | 15,76 | 36,78 | 250 | 3500 | 47,6 | 90,7 | | | | | | | | | | | | |
| 20A(C)12X085... | 12 | 16,92 | 39,48 | 250 | 3500 | 48,2 | 91,9 | | | | | | | | | | | | |
| 20A(C)14X085... | 14 | 19,95 | 46,55 | 250 | 3500 | 49,6 | 95 | | | | | | | | | | | | |
| 20A(C)15X085... | 15 | 21,60 | 36,00 | 250 | 2500 | 50,6 | 96,5 | | | | | | | | | | | | |
| 20A(C)16X085... | 16 | 23,04 | 38,40 | 250 | 2500 | 51,6 | 98,2 | | | | | | | | | | | | |
| 20A(C)19X085... | 19 | 27,36 | 45,60 | 200 | 2500 | 53,6 | 103,1 | | | | | | | | | | | | |
| 20A(C)22X085... | 22 | 31,68 | 42,24 | 180 | 2000 | 56,6 | 108,1 | | | | | | | | | | | | |
| 20A(C)25X085... | 25 | 36,00 | 48,00 | 160 | 2000 | 58,8 | 113 | | | | | | | | | | | | |
| 20A(C)14X085H... | 14 | 20,16 | 47,04 | 250 | 3500 | 54,8 | 105,7 | | | | | | | M20x1,5 | G3/4 | 1 1/16"-12UNF | M16x1,5 | G1/2 | 7/8"-14UNF |
| 20A(C)15X085H... | 15 | 21,60 | 43,20 | 250 | 3000 | 55,6 | 106,8 | | | | | | | | | | | | |
| 20A(C)16X085H... | 16 | 23,04 | 46,08 | 250 | 3000 | 56,5 | 108,4 | | | | | | | | | | | | |
| 20A(C)17,3X085H... | 17,3 | 24,91 | 49,82 | 230 | 3000 | 57,6 | 110,5 | | | | | | | | | | | | |
| 20A(C)18,2X085H... | 18,2 | 26,21 | 52,42 | 210 | 3000 | 58,4 | 112,1 | | | | | | | | | | | | |
| 20A(C)19X085H... | 19 | 27,36 | 54,72 | 200 | 3000 | 59 | 113,4 | | | | | | | | | | | | |
| 20A(C)22X085H... | 22 | 31,68 | 52,80 | 180 | 2500 | 61,5 | 118,4 | | | | | | | | | | | | |
| 20A(C)25X085H... | 25 | 36,00 | 60,00 | 160 | 2500 | 63,9 | 123,3 | | | | | | | | | | | | |
| 20A(C)28X085H... | 28 | 40,32 | 67,20 | 130 | 2500 | 66,4 | 128,1 | | | | | | | | | | | | |
| 20A(C)32X085H... | 32 | 46,08 | 61,44 | 120 | 2000 | 69,6 | 134,4 | | | | | | | | | | | | |
| 20A(C)36X085H... | 36 | 51,84 | 69,12 | 100 | 2000 | 72,8 | 141 | | | | | | | | | | | | |
| 20A(C)28X085H... | 28 | 40,32 | 67,20 | 130 | 2500 | 66,4 | 128,1 | M27x2 | G1 | 1 5/16"-12 | M20x1,5 | G3/4 | 1 1/16"-12 | | | | | | |
| 20A(C)32X085H... | 32 | 46,08 | 61,44 | 120 | 2000 | 69,6 | 134,4 | | | | | | | | | | | | |
| 20A(C)36X085H... | 36 | 51,84 | 69,12 | 100 | 2000 | 72,8 | 141 | | | | | | | | | | | | |



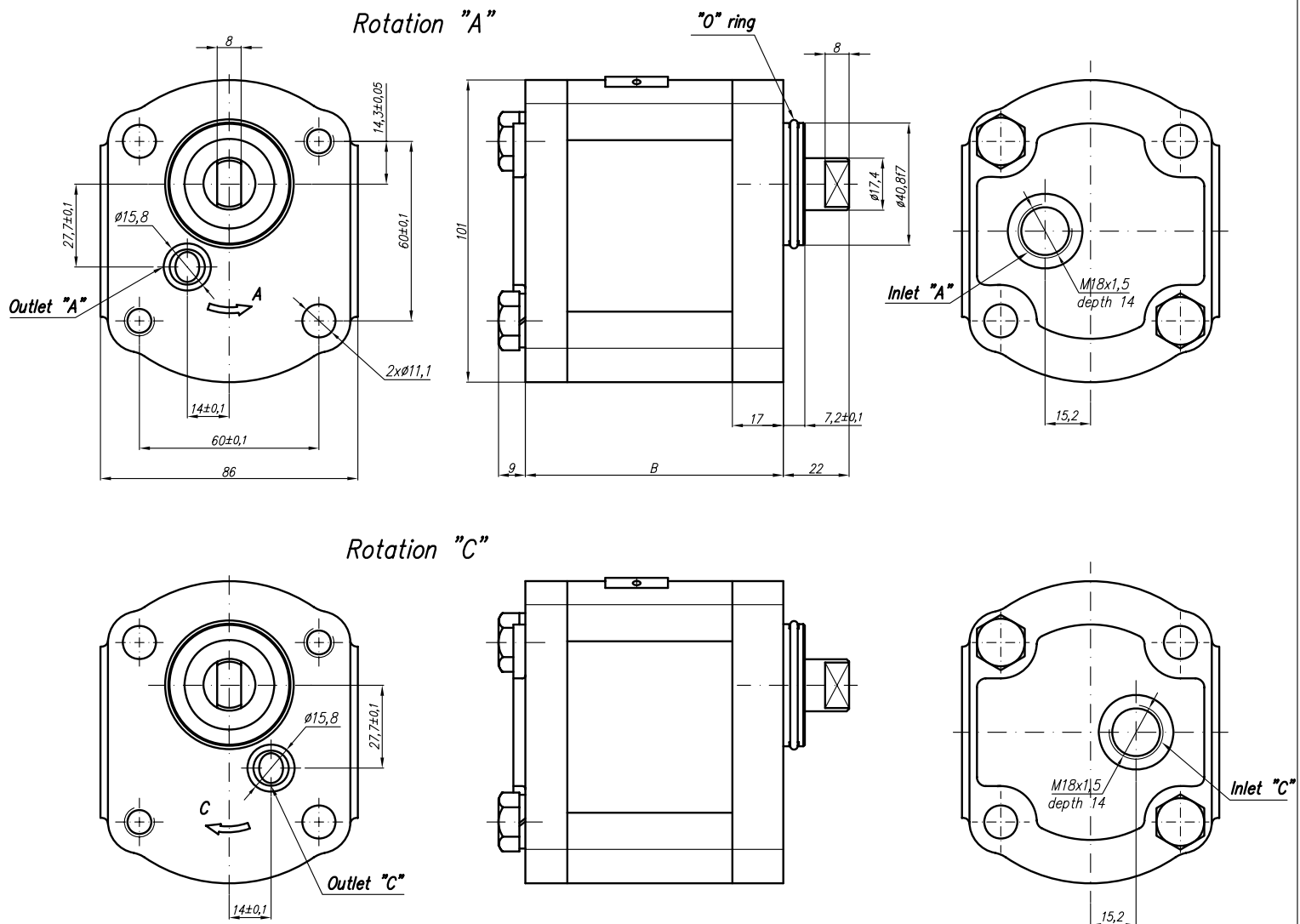
| Type | Displacement cm ³ /rev | Flow | | Pressure P _{nom} bar | max Speed n rpm | Dimension | | | | | | | |
|----------------|--------------------------------------|----------------------|---------------------|-------------------------------------|-----------------------|-----------|---------|---|--------|---|---|---|---|
| | | at 1500 rpm l/min | at max rpm l/min | | | Inlet | | | Outlet | | | | |
| | | | | | | A mm | B mm | M | G | U | M | G | U |
| 20A(C)4,5X085W | 4,5 | 6,14 | 14,33 | 250 | 3500 | | 93,6 | | | | | | |
| 20A(C)6,3X085W | 6,3 | 8,69 | 20,29 | 250 | 3500 | | 96,6 | | | | | | |
| 20A(C)8,2X085W | 8,2 | 11,32 | 26,40 | 250 | 3500 | | 99,5 | | | | | | |
| 20A(C)10X085W | 10 | 13,95 | 32,55 | 250 | 3500 | | 102,5 | | | | | | |
| 20A(C)11X085W | 11,3 | 15,76 | 36,78 | 250 | 3500 | | 104,6 | | | | | | |
| 20A(C)12X085W | 12 | 16,92 | 39,48 | 250 | 3500 | | 105,9 | | | | | | |
| 20A(C)14X085W | 14 | 19,95 | 46,55 | 250 | 3500 | | 108,9 | | | | | | |
| 20A(C)15X085W | 15 | 21,60 | 36,00 | 250 | 2500 | | 110,5 | | | | | | |
| 20A(C)16X085W | 16 | 23,04 | 38,40 | 250 | 2500 | | 112,1 | | | | | | |
| 20A(C)19X085W | 19 | 27,36 | 45,60 | 200 | 2500 | | 117,1 | | | | | | |
| 20A(C)22X085W | 22 | 31,68 | 42,24 | 180 | 2000 | | 122,1 | | | | | | |
| 20A(C)25X085W | 25 | 36,00 | 48,00 | 160 | 2000 | | 127 | | | | | | |



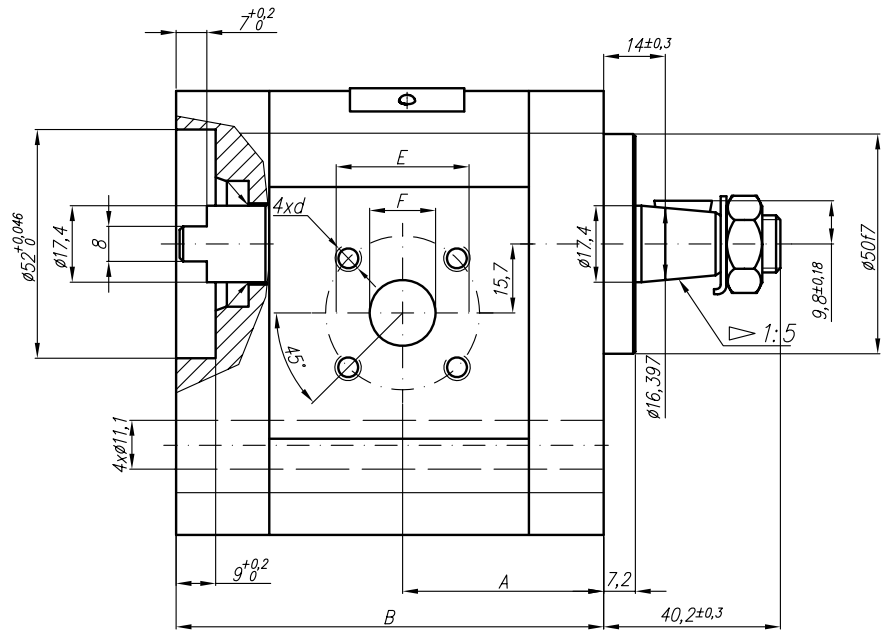
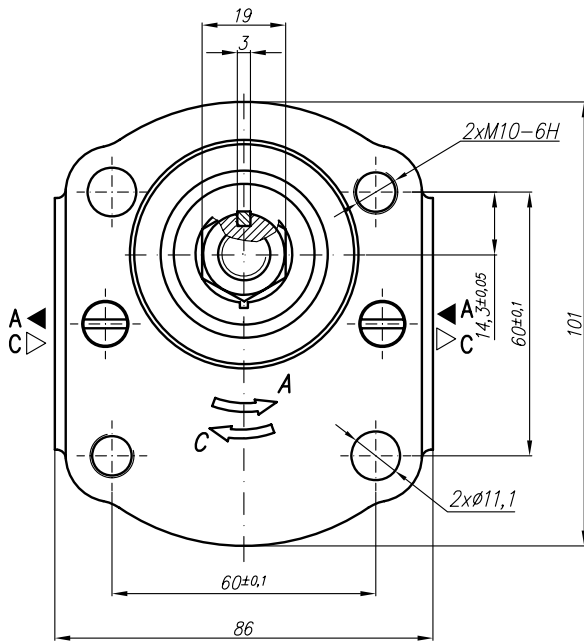
| Type | Displacement cm ³ /rev | Flow | | Pressure P _{nom} bar | max Speed n rpm | Dimension | | | | | | | |
|-----------------|--------------------------------------|----------------------|---------------------|-------------------------------------|-----------------------|-----------|---------|-------|----|-------|--------|----|-------|
| | | at 1500 rpm l/min | at max rpm l/min | | | A mm | B mm | Inlet | | | Outlet | | |
| | | | | | | | | E | F | d | E | F | d |
| 20A(C)4,5X086 | 4,5 | 6,14 | 14,33 | 250 | 3500 | 39,8 | 78 | 40 | 15 | M6-6H | 35 | 15 | M6-6H |
| 20A(C)6,3X086 | 6,3 | 8,69 | 20,29 | 250 | 3500 | 41 | 81 | | | | | | |
| 20A(C)8,2X086 | 8,2 | 11,32 | 26,40 | 250 | 3500 | 43,1 | 83,9 | | | | | | |
| 20A(C)10X086 | 10 | 13,95 | 32,55 | 250 | 3500 | 47,5 | 87 | | | | | | |
| 20A(C)11X086 | 11,3 | 15,76 | 36,78 | 250 | 3500 | 47,5 | 89 | | | | | | |
| 20A(C)12X086 | 12 | 16,92 | 39,48 | 250 | 3500 | 47,5 | 90,3 | | | | | | |
| 20A(C)14X086 | 14 | 19,95 | 46,55 | 250 | 3500 | 47,5 | 93,4 | | | | | | |
| 20A(C)15X086 | 15 | 21,60 | 36,00 | 250 | 2500 | 47,5 | 95 | | | | | | |
| 20A(C)16X086 | 16 | 23,04 | 38,40 | 250 | 2500 | 47,5 | 96,5 | | | | | | |
| 20A(C)19X086 | 19 | 27,36 | 45,60 | 200 | 2500 | 47,5 | 101,5 | | | | | | |
| 20A(C)22X086 | 22 | 31,68 | 42,24 | 180 | 2000 | 55 | 106,5 | | | | | | |
| 20A(C)25X086 | 25 | 36,00 | 48,00 | 160 | 2000 | 57,2 | 111,4 | | | | | | |
| 20A(C)14X086H | 14 | 20,16 | 47,04 | 250 | 3500 | 47,5 | 103,7 | 40 | 20 | M6-6H | 35 | 15 | M6-6H |
| 20A(C)15X086H | 15 | 21,60 | 43,20 | 250 | 3000 | 47,5 | 105,2 | | | | | | |
| 20A(C)16X086H | 16 | 23,04 | 46,08 | 250 | 3000 | 47,5 | 106,8 | | | | | | |
| 20A(C)17,3X086H | 17,3 | 24,91 | 49,82 | 230 | 3000 | 47,5 | 108,9 | | | | | | |
| 20A(C)18,2X086H | 18,2 | 26,21 | 52,42 | 210 | 3000 | 47,5 | 110,5 | | | | | | |
| 20A(C)19X086H | 19 | 27,36 | 54,72 | 200 | 3000 | 47,5 | 111,8 | | | | | | |
| 20A(C)22X086H | 22 | 31,68 | 52,80 | 180 | 2500 | 55 | 116,8 | | | | | | |
| 20A(C)25X086H | 25 | 36,00 | 60,00 | 160 | 2500 | 57,2 | 121,7 | | | | | | |
| 20A(C)28X086H | 28 | 40,32 | 67,20 | 130 | 2500 | 64,8 | 126,5 | | | | | | |
| 20A(C)32X086H | 32 | 46,08 | 61,44 | 120 | 2000 | 68 | 132,8 | | | | | | |
| 20A(C)36X086H | 36 | 51,84 | 69,12 | 100 | 2000 | 71,2 | 139,4 | | | | | | |



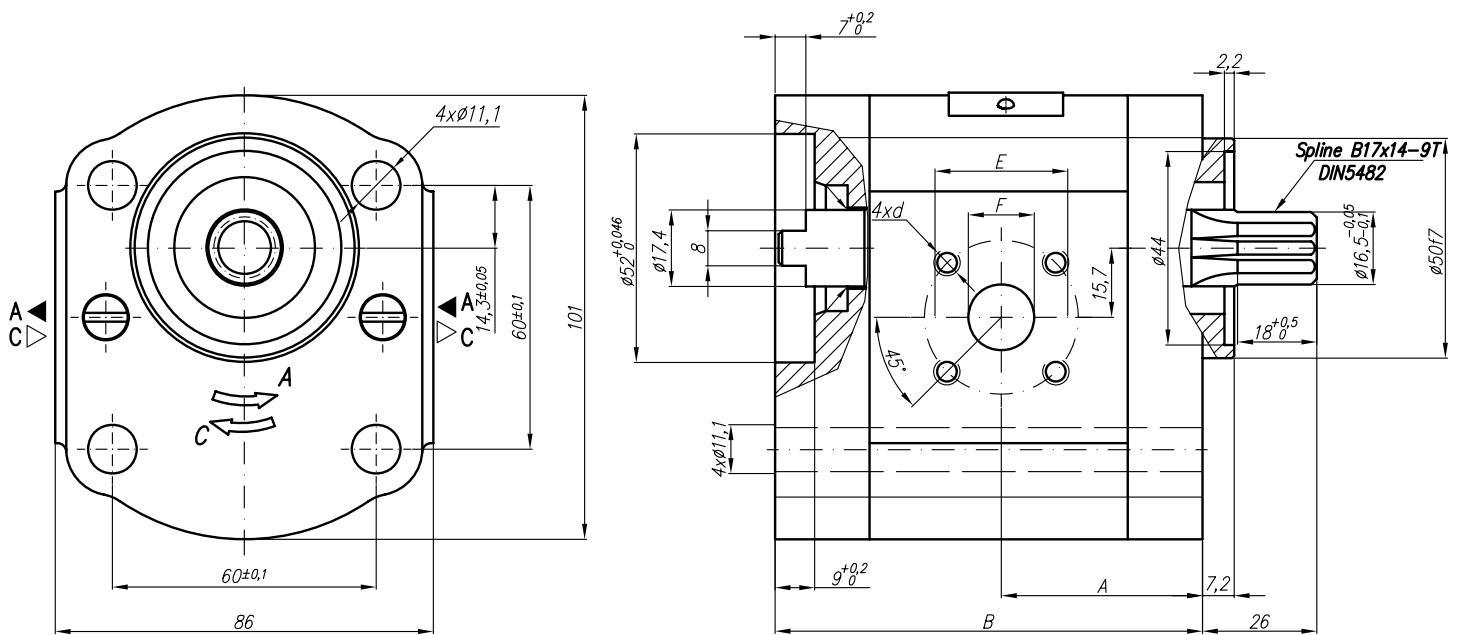
| Type | Displacement cm ³ /rev | Flow | | Pressure P _{nom} bar | max Speed n rpm | Dimension | | | | | | | |
|---------------|--------------------------------------|----------------------|---------------------|-------------------------------------|-----------------------|-----------|---------|-------|----|-------|--------|----|-------|
| | | at 1500 rpm l/min | at max rpm l/min | | | A mm | B mm | Inlet | | | Outlet | | |
| | | | | | | | | E | F | d | E | F | d |
| 20A(C)4,5X087 | 4,5 | 6,14 | 14,33 | 250 | 3500 | 37,3 | 75,1 | 40 | 15 | M6-6H | 35 | 15 | M6-6H |
| 20A(C)6,3X087 | 6,3 | 8,69 | 20,29 | 250 | 3500 | 38,6 | 78 | | | | | | |
| 20A(C)8,2X087 | 8,2 | 11,32 | 26,40 | 250 | 3500 | 40,6 | 78 | | | | | | |
| 20A(C)10X087 | 10 | 13,95 | 32,55 | 250 | 3500 | 45 | 87 | | | | | | |
| 20A(C)11X087 | 11,3 | 15,76 | 36,78 | 250 | 3500 | 45 | 89,1 | | | | | | |
| 20A(C)12X087 | 12 | 16,92 | 39,48 | 250 | 3500 | 45 | 90,3 | | | | | | |
| 20A(C)14X087 | 14 | 19,95 | 46,55 | 250 | 3500 | 45 | 93,4 | | | | | | |
| 20A(C)15X087 | 15 | 21,60 | 36,00 | 250 | 2500 | 45 | 94,9 | | | | | | |
| 20A(C)16X087 | 16 | 23,04 | 38,40 | 250 | 2500 | 45 | 96,5 | | | | | | |
| 20A(C)19X087 | 19 | 27,36 | 45,60 | 200 | 2500 | 45 | 101,5 | | | | | | |
| 20A(C)22X087 | 22 | 31,68 | 42,24 | 180 | 2000 | 52,5 | 106,5 | | | | | | |
| 20A(C)25X087 | 25 | 36,00 | 48,00 | 160 | 2000 | 57,2 | 111,4 | | | | | | |



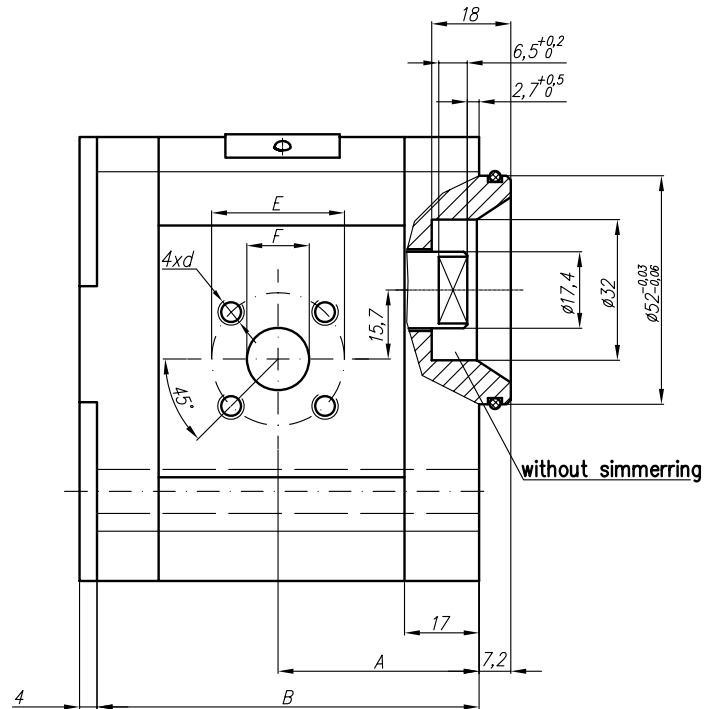
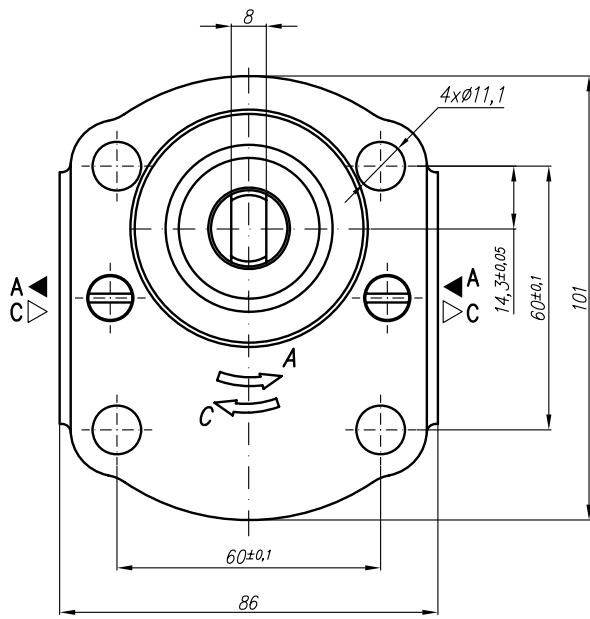
| Type | Displacement cm ³ /rev | Flow | | Pressure P _{nom} bar | max Speed n* rpm | Dimension | | | | | | | |
|---------------|--------------------------------------|----------------------|---------------------|-------------------------------------|------------------------|-----------|---------|---------|---|---|--------|--|--|
| | | at 1500 rpm l/min | at max rpm l/min | | | A mm | B mm | Inlet | | | Outlet | | |
| | | | | | | | | M | G | U | | | |
| 20A(C)4,5X091 | 4,5 | 6,14 | 14,33 | 250 | 3500 | | 75,1 | M18x1,5 | | | | | |
| 20A(C)6,3X091 | 6,3 | 8,69 | 20,29 | 250 | 3500 | | 78 | | | | | | |
| 20A(C)8,2X091 | 8,2 | 11,32 | 26,40 | 250 | 3500 | | 78 | | | | | | |
| 20A(C)10X091 | 10 | 13,95 | 32,55 | 250 | 3500 | | 87 | | | | | | |
| 20A(C)11X091 | 11,3 | 15,76 | 36,78 | 250 | 3500 | | 89,1 | | | | | | |
| 20A(C)12X091 | 12 | 16,92 | 39,48 | 250 | 3500 | | 90,3 | | | | | | |
| 20A(C)14X091 | 14 | 19,95 | 46,55 | 250 | 3500 | | 93,4 | | | | | | |
| 20A(C)15X091 | 15 | 21,60 | 36,00 | 250 | 2500 | | 94,9 | | | | | | |
| 20A(C)16X091 | 16 | 23,04 | 38,40 | 250 | 2500 | | 96,5 | | | | | | |
| 20A(C)19X091 | 19 | 27,36 | 45,60 | 200 | 2500 | | 101,5 | | | | | | |
| 20A(C)22X091 | 22 | 31,68 | 42,24 | 180 | 2000 | | 106,5 | | | | | | |
| 20A(C)25X091 | 25 | 36,00 | 48,00 | 160 | 2000 | | 111,4 | | | | | | |



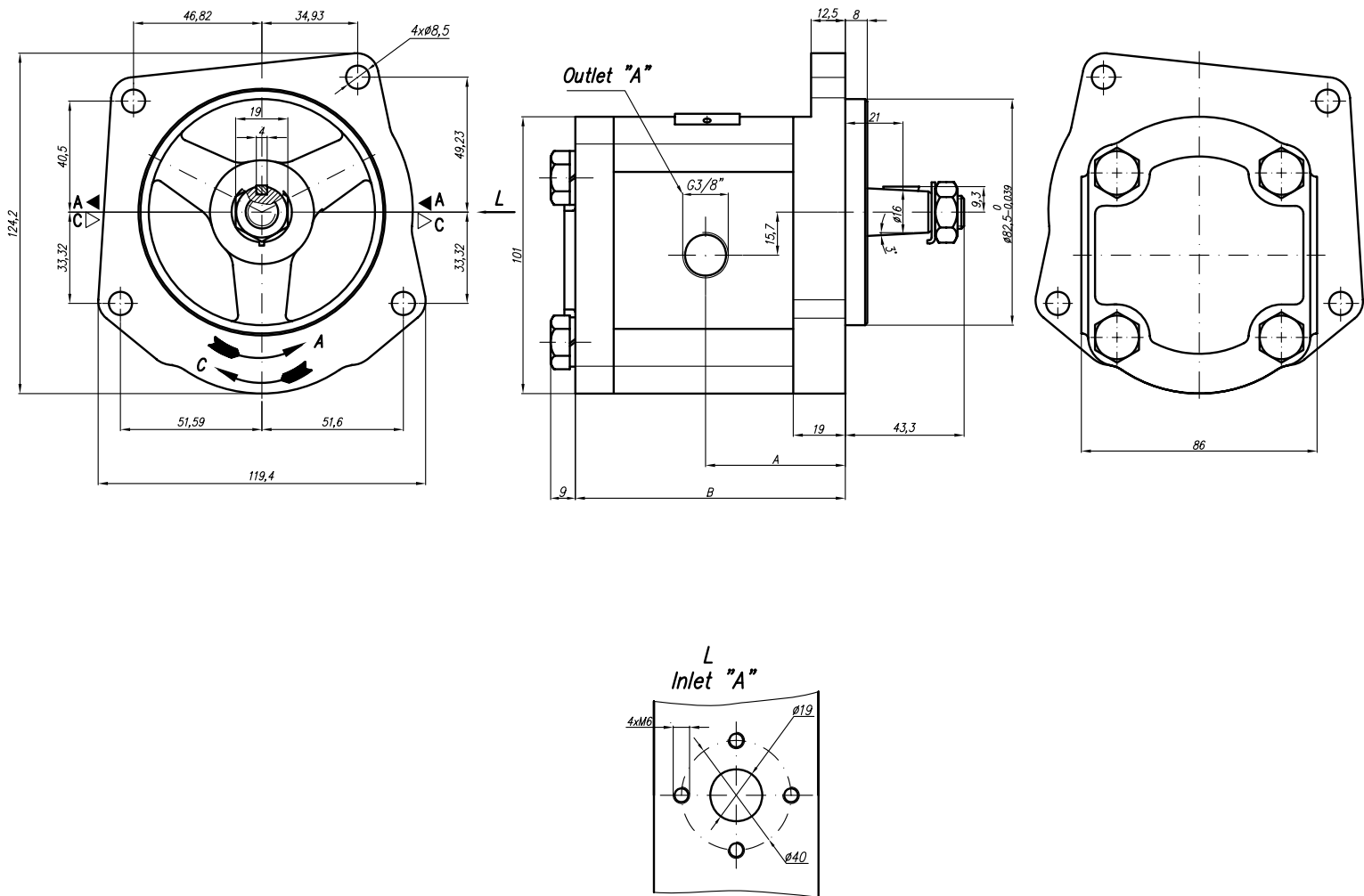
| Type | Displacement cm ³ /rev | Flow | | Pressure P _{nom} bar | max Speed n rpm | Dimension | | | | | | | |
|-----------------|--------------------------------------|----------------------|---------------------|-------------------------------------|-----------------------|-----------|---------|-------|----|-------|--------|----|-------|
| | | at 1500 rpm l/min | at max rpm l/min | | | A mm | B mm | Inlet | | | Outlet | | |
| | | | | | | | | E | F | d | E | F | d |
| 20A(C)4,5X095 | 4,5 | 6,14 | 14,33 | 250 | 3500 | 40,5 | 85,2 | 40 | 15 | M6-6H | 35 | 15 | M6-6H |
| 20A(C)6,3X095 | 6,3 | 8,69 | 20,29 | 250 | 3500 | 42 | 88,2 | | | | | | |
| 20A(C)8,2X095 | 8,2 | 11,32 | 26,40 | 250 | 3500 | 43,5 | 91,1 | | | | | | |
| 20A(C)10X095 | 10 | 13,95 | 32,55 | 250 | 3500 | 45 | 94,1 | | | | | | |
| 20A(C)11X095 | 11,3 | 15,76 | 36,78 | 250 | 3500 | 46 | 96,2 | | | | | | |
| 20A(C)12X095 | 12 | 16,92 | 39,48 | 250 | 3500 | 46,5 | 97,5 | | | | | | |
| 20A(C)14X095 | 14 | 19,95 | 46,55 | 250 | 3500 | 48 | 100,6 | | | | | | |
| 20A(C)15X095 | 15 | 21,60 | 36,00 | 250 | 2500 | 49 | 102,1 | | | | | | |
| 20A(C)16X095 | 16 | 23,04 | 38,40 | 250 | 2500 | 50 | 103,8 | | | | | | |
| 20A(C)19X095 | 19 | 27,36 | 45,60 | 200 | 2500 | 52 | 108,7 | | | | | | |
| 20A(C)22X095 | 22 | 31,68 | 42,24 | 180 | 2000 | 55 | 113,7 | | | | | | |
| 20A(C)25X095 | 25 | 36,00 | 48,00 | 160 | 2000 | 57,2 | 118,5 | | | | | | |
| 20A(C)14X095H | 14 | 20,16 | 47,04 | 250 | 3500 | 53,3 | 110,9 | | 40 | | | | |
| 20A(C)15X095H | 15 | 21,60 | 43,20 | 250 | 3000 | 54 | 112,4 | | | | | | |
| 20A(C)16X095H | 16 | 23,04 | 46,08 | 250 | 3000 | 54,9 | 114 | | | | | | |
| 20A(C)17,3X095H | 17,3 | 24,91 | 49,82 | 230 | 3000 | 56 | 116,1 | | | | | | |
| 20A(C)18,2X095H | 18,2 | 26,21 | 52,42 | 210 | 3000 | 56,8 | 117,7 | | | | | | |
| 20A(C)19X095H | 19 | 27,36 | 54,72 | 200 | 3000 | 57,4 | 119 | | | | | | |
| 20A(C)22X095H | 22 | 31,68 | 52,80 | 180 | 2500 | 59,9 | 124 | | | | | | |
| 20A(C)25X095H | 25 | 36,00 | 60,00 | 160 | 2500 | 62,3 | 128,9 | | | | | | |
| 20A(C)28X095H | 28 | 40,32 | 67,20 | 130 | 2500 | 64,8 | 133,7 | | | | | | |
| 20A(C)32X095H | 32 | 46,08 | 61,44 | 120 | 2000 | 68 | 140 | | | | | | |
| 20A(C)36X095H | 36 | 51,84 | 69,12 | 100 | 2000 | 71,2 | 146,6 | | | | | | |



| Type | Displacement cm ³ /rev | Flow | | Pressure P _{nom} bar | max Speed n rpm | Dimension | | | | | | | |
|-----------------|--------------------------------------|----------------------|---------------------|-------------------------------------|-----------------------|-----------|---------|-------|----|-------|--------|----|-------|
| | | at 1500 rpm l/min | at max rpm l/min | | | A mm | B mm | Inlet | | | Outlet | | |
| | | | | | | | | E | F | d | E | F | d |
| 20A(C)4,5X096 | 4,5 | 6,14 | 14,33 | 250 | 3500 | 40,5 | 85,2 | 40 | 15 | M6-6H | 35 | 15 | M6-6H |
| 20A(C)6,3X096 | 6,3 | 8,69 | 20,29 | 250 | 3500 | 42 | 88,2 | | | | | | |
| 20A(C)8,2X096 | 8,2 | 11,32 | 26,40 | 250 | 3500 | 43,5 | 91,1 | | | | | | |
| 20A(C)10X096 | 10 | 13,95 | 32,55 | 250 | 3500 | 45 | 94,1 | | | | | | |
| 20A(C)11X096 | 11,3 | 15,76 | 36,78 | 250 | 3500 | 46 | 96,2 | | | | | | |
| 20A(C)12X096 | 12 | 16,92 | 39,48 | 250 | 3500 | 46,5 | 97,5 | | | | | | |
| 20A(C)14X096 | 14 | 19,95 | 46,55 | 250 | 3500 | 48 | 100,6 | | | | | | |
| 20A(C)15X096 | 15 | 21,60 | 36,00 | 250 | 2500 | 49 | 102,1 | | | | | | |
| 20A(C)16X096 | 16 | 23,04 | 38,40 | 250 | 2500 | 50 | 103,8 | | | | | | |
| 20A(C)19X096 | 19 | 27,36 | 45,60 | 200 | 2500 | 52 | 108,7 | | | | | | |
| 20A(C)22X096 | 22 | 31,68 | 42,24 | 180 | 2000 | 55 | 113,7 | | | | | | |
| 20A(C)25X096 | 25 | 36,00 | 48,00 | 160 | 2000 | 57,2 | 118,5 | | | | | | |
| 20A(C)14X096H | 14 | 20,16 | 47,04 | 250 | 3500 | 53,1 | 110,9 | | | | | | |
| 20A(C)15X096H | 15 | 21,60 | 43,20 | 250 | 3000 | 54 | 112,4 | | | | | | |
| 20A(C)16X096H | 16 | 23,04 | 46,08 | 250 | 3000 | 54,9 | 114 | | | | | | |
| 20A(C)17,3X096H | 17,3 | 24,91 | 49,82 | 230 | 3000 | 56 | 116,1 | | | | | | |
| 20A(C)18,2X096H | 18,2 | 26,21 | 52,42 | 210 | 3000 | 56,8 | 117,7 | | | | | | |
| 20A(C)19X096H | 19 | 27,36 | 54,72 | 200 | 3000 | 57,4 | 119 | | | | | | |
| 20A(C)22X096H | 22 | 31,68 | 52,80 | 180 | 2500 | 59,9 | 124 | | | | | | |
| 20A(C)25X096H | 25 | 36,00 | 60,00 | 160 | 2500 | 62,3 | 128,9 | | | | | | |
| 20A(C)28X096H | 28 | 40,32 | 67,20 | 130 | 2500 | 64,8 | 133,7 | | | | | | |
| 20A(C)32X096H | 32 | 46,08 | 61,44 | 120 | 2000 | 68 | 140 | | | | | | |
| 20A(C)36X096H | 36 | 51,84 | 69,12 | 100 | 2000 | 71,2 | 146,6 | | | | | | |

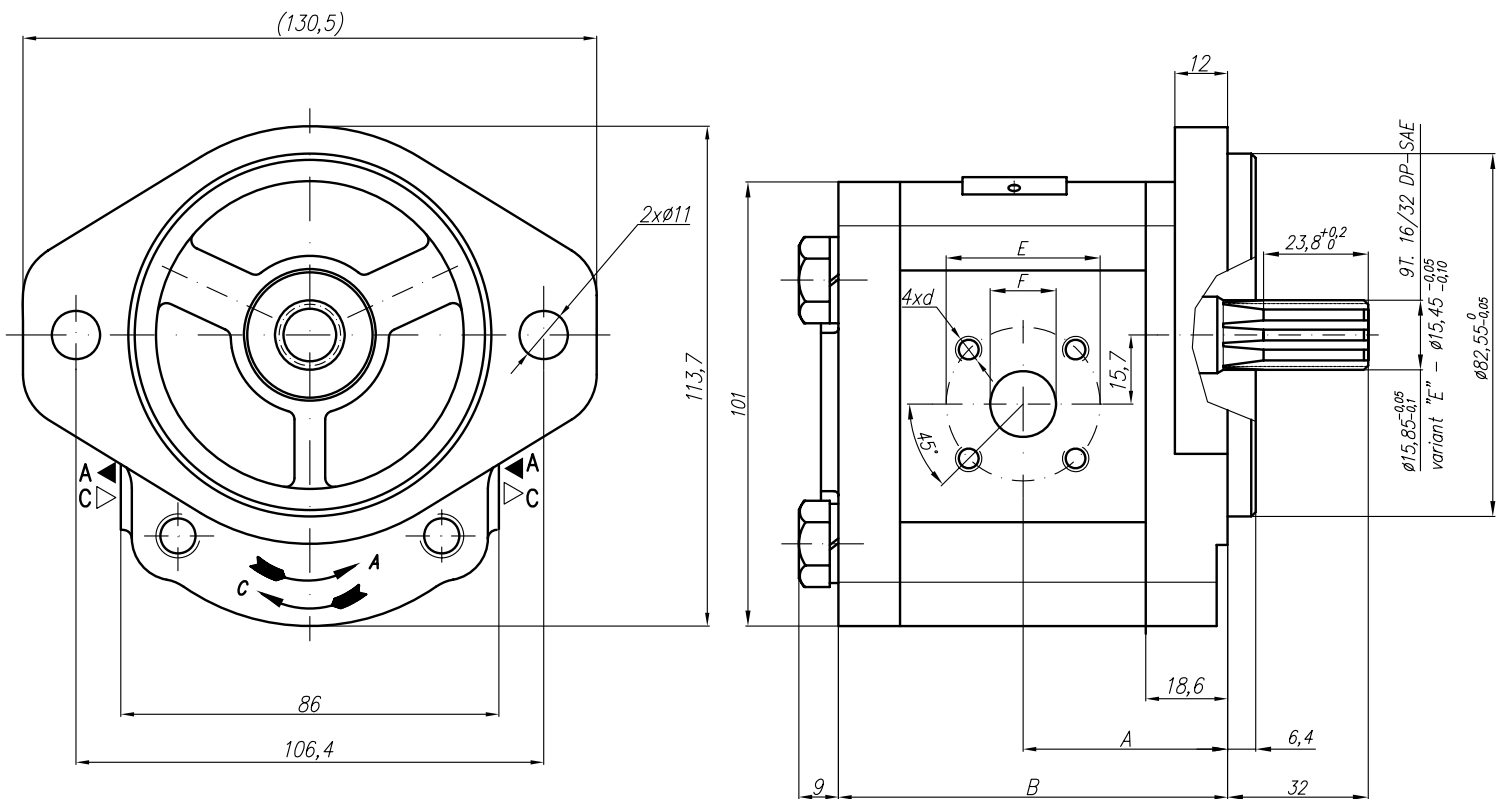


| Type | Displacement cm ³ /rev | Flow | | Pressure P _{nom} bar | max Speed n rpm | Dimension | | | | | | | |
|-----------------|--------------------------------------|----------------------|---------------------|-------------------------------------|-----------------------|-----------|---------|-------|----|-------|--------|----|-------|
| | | at 1500 rpm l/min | at max rpm l/min | | | A mm | B mm | Inlet | | | Outlet | | |
| | | | | | | | | E | F | d | E | F | d |
| 20A(C)4,5X097 | 4,5 | 6,14 | 14,33 | 250 | 3500 | 40,5 | 78 | 40 | 15 | M6-6H | 35 | 15 | M6-6H |
| 20A(C)6,3X097 | 6,3 | 8,69 | 20,29 | 250 | 3500 | 42 | 81 | | | | | | |
| 20A(C)8,2X097 | 8,2 | 11,32 | 26,40 | 250 | 3500 | 43,5 | 83,9 | | | | | | |
| 20A(C)10X097 | 10 | 13,95 | 32,55 | 250 | 3500 | 45 | 87 | | | | | | |
| 20A(C)11X097 | 11,3 | 15,76 | 36,78 | 250 | 3500 | 46 | 89 | | | | | | |
| 20A(C)12X097 | 12 | 16,92 | 39,48 | 250 | 3500 | 46,5 | 90,3 | | | | | | |
| 20A(C)14X097 | 14 | 19,95 | 46,55 | 250 | 3500 | 48 | 93,4 | | | | | | |
| 20A(C)15X097 | 15 | 21,60 | 36,00 | 250 | 2500 | 49 | 95 | | | | | | |
| 20A(C)16X097 | 16 | 23,04 | 38,40 | 250 | 2500 | 50 | 96,5 | | | | | | |
| 20A(C)19X097 | 19 | 27,36 | 45,60 | 200 | 2500 | 52 | 101,5 | | | | | | |
| 20A(C)22X097 | 22 | 31,68 | 42,24 | 180 | 2000 | 55 | 106,5 | | | | | | |
| 20A(C)25X097 | 25 | 36,00 | 48,00 | 160 | 2000 | 57,2 | 111,4 | | | | | | |
| 20A(C)14X097H | 14 | 20,16 | 47,04 | 250 | 3500 | 53 | 110,9 | | | | | | |
| 20A(C)15X097H | 15 | 21,60 | 43,20 | 250 | 3000 | 54 | 105,2 | | | | | | |
| 20A(C)16X097H | 16 | 23,04 | 46,08 | 250 | 3000 | 54,9 | 106,8 | | | | | | |
| 20A(C)17,3X097H | 17,3 | 24,91 | 49,82 | 230 | 3000 | 56 | 108,9 | | | | | | |
| 20A(C)18,2X097H | 18,2 | 26,21 | 52,42 | 210 | 3000 | 56,8 | 110,5 | | | | | | |
| 20A(C)19X097H | 19 | 27,36 | 54,72 | 200 | 3000 | 57,4 | 111,8 | | | | | | |
| 20A(C)22X097H | 22 | 31,68 | 52,80 | 180 | 2500 | 59,9 | 116,8 | | | | | | |
| 20A(C)25X097H | 25 | 36,00 | 60,00 | 160 | 2500 | 62,3 | 121,7 | | | | | | |
| 20A(C)28X097H | 28 | 40,32 | 67,20 | 130 | 2500 | 64,8 | 126,5 | | | | | | |
| 20A(C)32X097H | 32 | 46,08 | 61,44 | 120 | 2000 | 68 | 132,8 | | | | | | |
| 20A(C)36X097H | 36 | 51,84 | 69,12 | 100 | 2000 | 71,2 | 139,4 | | | | | | |

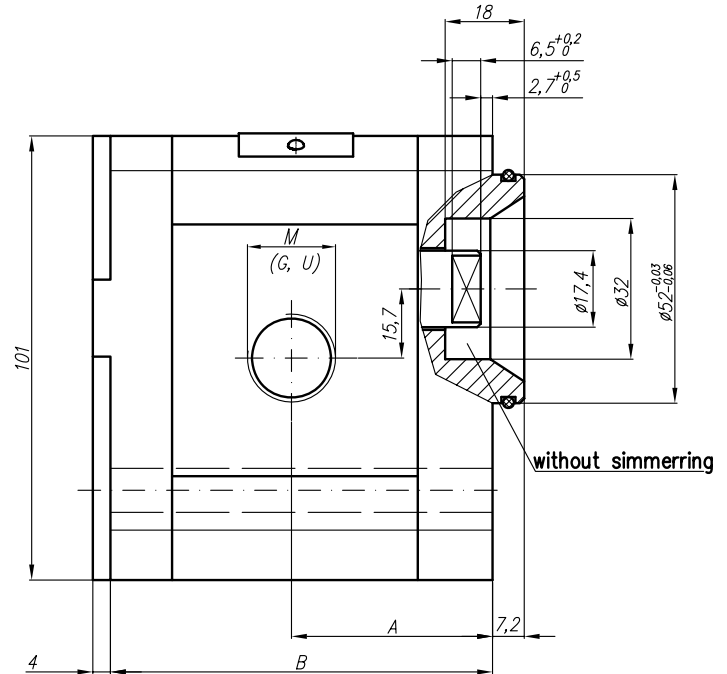
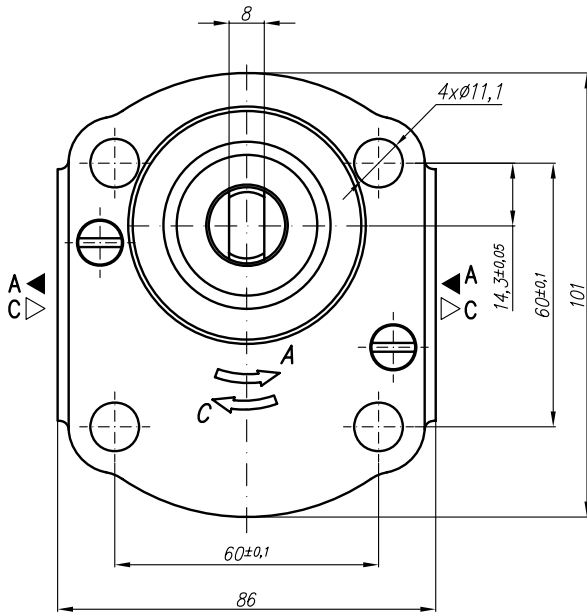


* These pressures recommended for direct drives with gear.

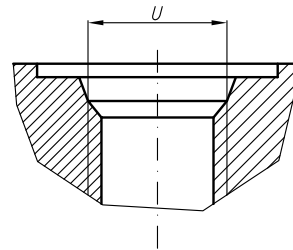
| Type | Displacement cm ³ /rev | Flow | | Pressure P _{nom} bar | max Speed n rpm | Dimension | | | | | | | |
|--------------|--------------------------------------|----------------------|---------------------|-------------------------------------|-----------------------|-----------|---------|-------|----|-------|--------|------|---|
| | | at 1500 rpm l/min | at max rpm l/min | | | A mm | B mm | Inlet | | | Outlet | | |
| | | | | | | | | E | F | d | M | G | U |
| 20A(C)15X102 | 15 | 21,60 | 36,00 | 250(175*) | 2500 | 51 | 96,9 | 40 | 19 | M6-6H | | G3/8 | |
| 20A(C)16X102 | 16 | 23,04 | 38,40 | 250(175*) | 2500 | 51 | 98,5 | | | | | | |
| | | | | | | | | | | | | | |
| 20A(C)25X102 | 25 | 36,00 | 48,00 | 160(100*) | 2000 | 59,2 | 113,4 | | | | | | |



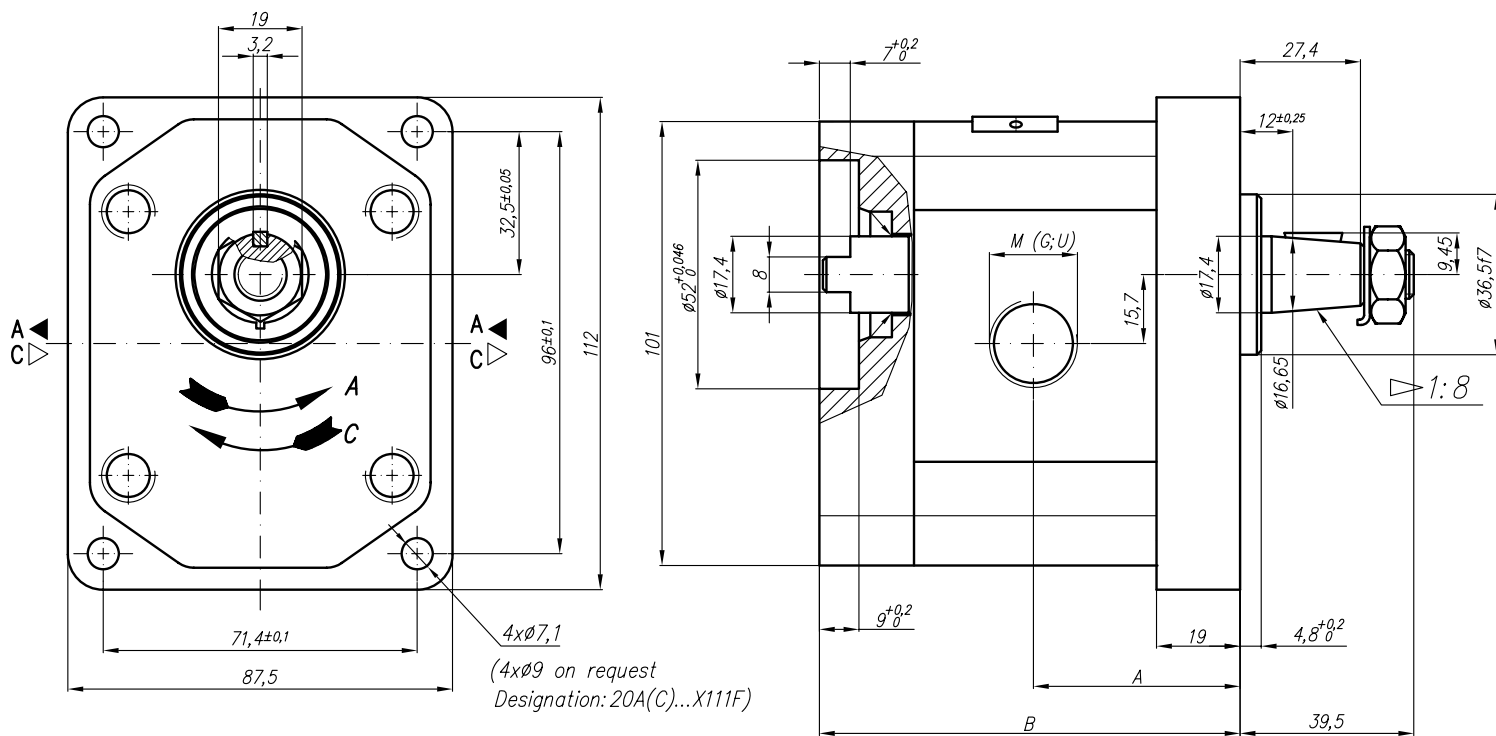
| Type | Displacement cm ³ /rev | Flow | | Pressure P _{nom} bar | max Speed n rpm | Dimension | | | | | | | |
|---------------|--------------------------------------|----------------------|---------------------|-------------------------------------|-----------------------|-----------|---------|-------|----|-------|--------|----|-------|
| | | at 1500 rpm l/min | at max rpm l/min | | | A mm | B mm | Inlet | | | Outlet | | |
| | | | | | | | | E | F | d | E | F | d |
| 20A(C)4,5X104 | 4,5 | 6,14 | 14,33 | 250 | 3500 | 42 | 79,6 | 40 | 15 | M6-6H | 35 | 15 | M6-6H |
| 20A(C)6,3X104 | 6,3 | 8,69 | 20,29 | 250 | 3500 | 43,6 | 82,6 | | | | | | |
| 20A(C)8,2X104 | 8,2 | 11,32 | 26,40 | 250 | 3500 | 45 | 85,6 | | | | | | |
| 20A(C)10X104 | 10 | 13,95 | 32,55 | 250 | 3500 | 46,6 | 88,7 | | | | | | |
| 20A(C)11X104 | 11,3 | 15,76 | 36,78 | 250 | 3500 | 47,6 | 90,7 | | | | | | |
| 20A(C)12X104 | 12 | 16,92 | 39,48 | 250 | 3500 | 48,2 | 91,9 | | | | | | |
| 20A(C)14X104 | 14 | 19,95 | 46,55 | 250 | 3500 | 49,6 | 95 | | | | | | |
| 20A(C)15X104 | 15 | 21,60 | 36,00 | 250 | 2500 | 50,6 | 96,5 | | | | | | |
| 20A(C)16X104 | 16 | 23,04 | 38,40 | 250 | 2500 | 51,6 | 98,2 | | | | | | |
| 20A(C)19X104 | 19 | 27,36 | 45,60 | 200 | 2500 | 53,6 | 103,1 | | | | | | |
| 20A(C)22X104 | 22 | 31,68 | 42,24 | 180 | 2000 | 56,6 | 108,1 | | | | | | |
| 20A(C)25X104 | 25 | 36,00 | 48,00 | 160 | 2000 | 58,8 | 113 | | | | | | |



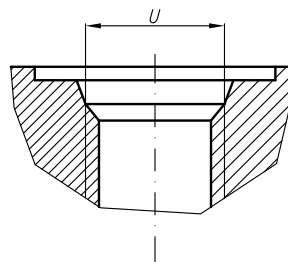
SAE J475 (ISO R725)



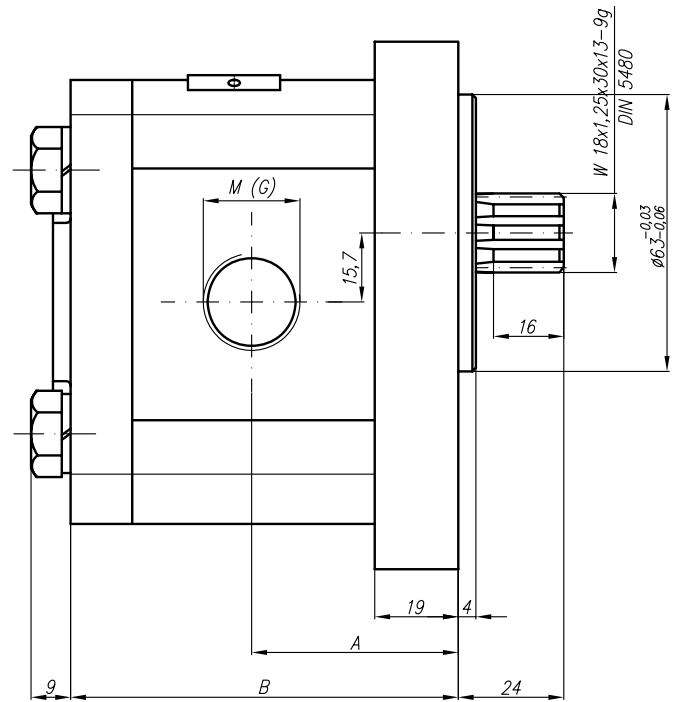
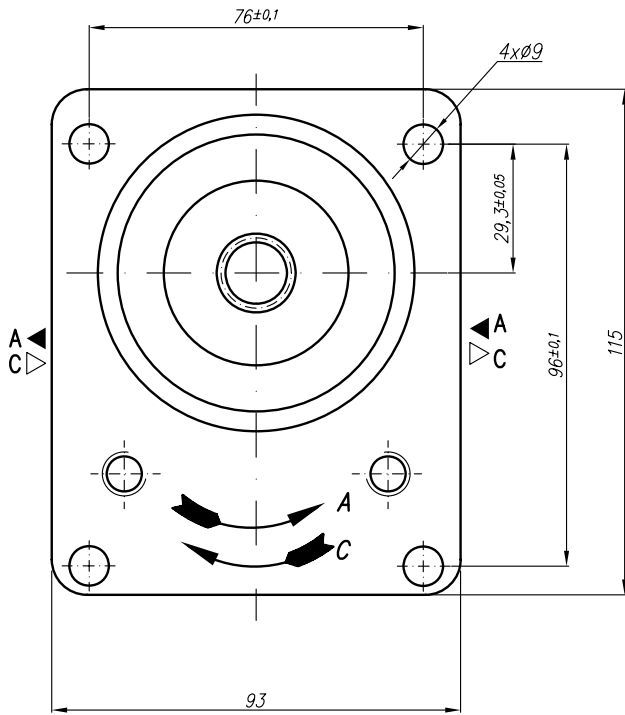
| Type | Displacement cm ³ /rev | Flow | | Pressure P _{nom} bar | max Speed n rpm | Dimension | | | | | | | |
|------------------|--------------------------------------|----------------------|---------------------|-------------------------------------|-----------------------|-----------|---------|-------|------|---|--------|--|--|
| | | at 1500 rpm l/min | at max rpm l/min | | | A mm | B mm | Inlet | | | Outlet | | |
| | | | | | | M | G | U | M | G | U | | |
| 20A(C)4,5X110... | 4,5 | 6,14 | 14,33 | 250 | 3500 | 40,5 | 78 | | | | | | |
| 20A(C)6,3X110... | 6,3 | 8,69 | 20,29 | 250 | 3500 | 42 | 81 | | G1/2 | | | | |
| 20A(C)8,2X110... | 8,2 | 11,32 | 26,40 | 250 | 3500 | 43,5 | 83,9 | | | | | | |
| 20A(C)10X110... | 10 | 13,95 | 32,55 | 250 | 3500 | 45 | 87 | | | | | | |
| 20A(C)11X110... | 11,3 | 15,76 | 36,78 | 250 | 3500 | 46 | 89 | | | | | | |
| 20A(C)12X110... | 12 | 16,92 | 39,48 | 250 | 3500 | 46,5 | 90,3 | | | | | | |
| 20A(C)14X110... | 14 | 19,95 | 46,55 | 250 | 3500 | 48 | 93,4 | | | | | | |
| 20A(C)15X110... | 15 | 21,60 | 36,00 | 250 | 2500 | 49 | 95 | | | | | | |
| 20A(C)16X110... | 16 | 23,04 | 38,40 | 250 | 2500 | 50 | 96,5 | | | | | | |
| 20A(C)19X110... | 19 | 27,36 | 45,60 | 200 | 2500 | 52 | 101,5 | | | | | | |
| 20A(C)22X110... | 22 | 31,68 | 42,24 | 180 | 2000 | 55 | 106,5 | | | | | | |
| 20A(C)25X110... | 25 | 36,00 | 48,00 | 160 | 2000 | 57,2 | 111,4 | | | | | | |



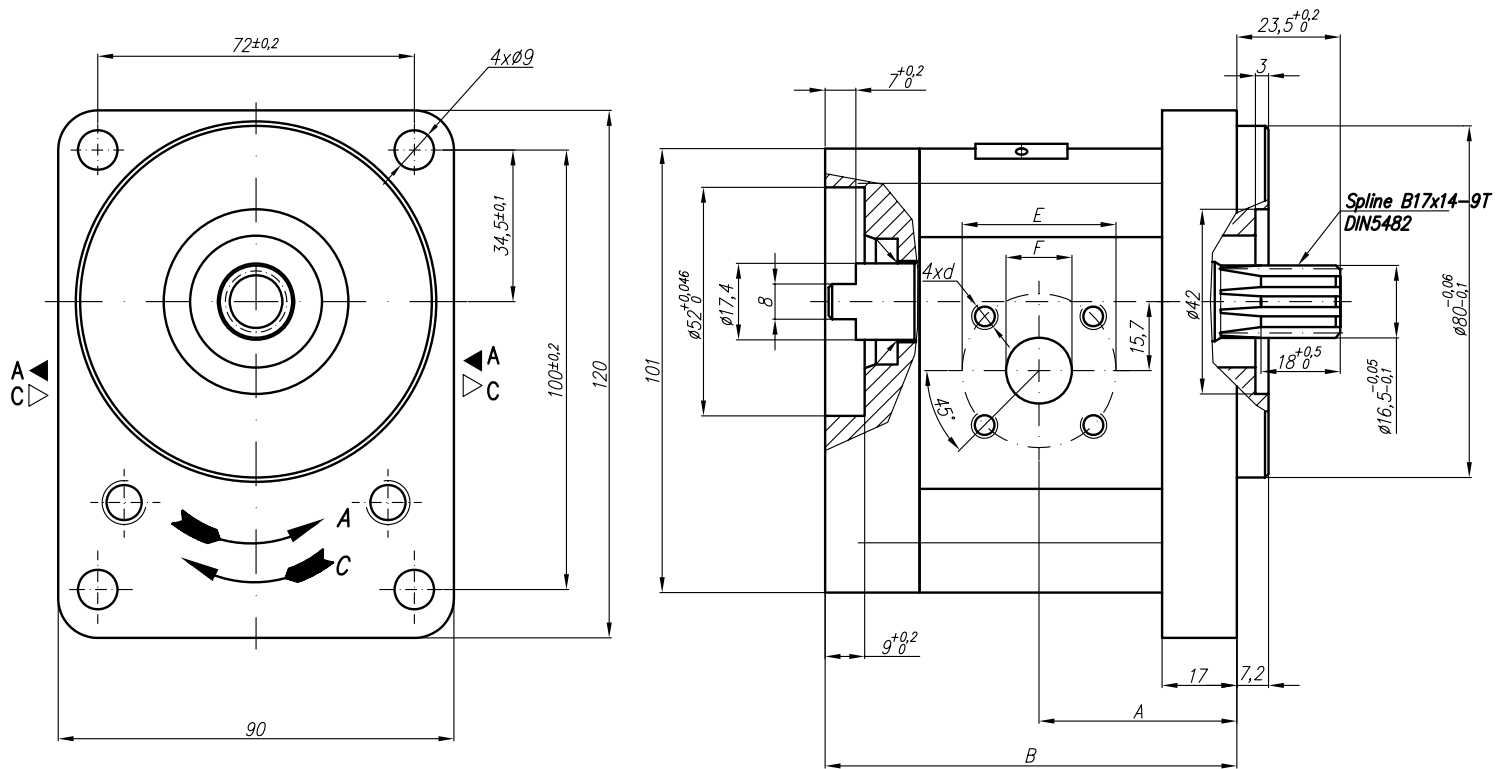
SAE J475 (ISO R725)



| Type | Displacement cm ³ /rev | Flow | | Pressure P _{nom} bar | max Speed n rpm | Dimension | | | | | | | | | | | | |
|------------------|--------------------------------------|----------------------|---------------------|-------------------------------------|-----------------------|-----------|---------|---------|---------------|---------------|---------|------|------------|--|--|--|--|--|
| | | at 1500 rpm l/min | at max rpm l/min | | | A mm | B mm | Inlet | | | Outlet | | | | | | | |
| | | | | | | | | M | G | U | M | G | U | | | | | |
| 20A(C)4,5X111... | 4,5 | 6,14 | 14,33 | 250 | 3500 | 42,5 | 87,2 | M20x1,5 | G1/2 | 1 1/16"-12UNF | M16x1,5 | G1/2 | 7/8"-14UNF | | | | | |
| 20A(C)6,3X111... | 6,3 | 8,69 | 20,29 | 250 | 3500 | 44 | 90,2 | | | | | | | | | | | |
| 20A(C)8,2X111... | 8,2 | 11,32 | 26,40 | 250 | 3500 | 45,5 | 93,1 | | | | | | | | | | | |
| 20A(C)10X111... | 10 | 13,95 | 32,55 | 250 | 3500 | 47 | 96,2 | | G3/4 | | | | | | | | | |
| 20A(C)11X111... | 11,3 | 15,76 | 36,78 | 250 | 3500 | 48 | 98,2 | | | | | | | | | | | |
| 20A(C)12X111... | 12 | 16,92 | 39,48 | 250 | 3500 | 48,6 | 99,5 | | 1 1/16"-12UNF | | | | | | | | | |
| 20A(C)14X111... | 14 | 19,95 | 46,55 | 250 | 3500 | 50 | 102,6 | | | | | | | | | | | |
| 20A(C)15X111... | 15 | 21,60 | 36,00 | 250 | 2500 | 51 | 104,1 | | M20x1,5 | | | | | | | | | |
| 20A(C)16X111... | 16 | 23,04 | 38,40 | 250 | 2500 | 52 | 105,8 | | | | | | | | | | | |
| 20A(C)19X111... | 19 | 27,36 | 45,60 | 200 | 2500 | 54 | 110,7 | | G1/2 | | | | | | | | | |
| 20A(C)22X111... | 22 | 31,68 | 42,24 | 180 | 2000 | 57 | 115,7 | | | | | | | | | | | |
| 20A(C)25X111... | 25 | 36,00 | 48,00 | 160 | 2000 | 59,2 | 120,6 | | | | | | | | | | | |

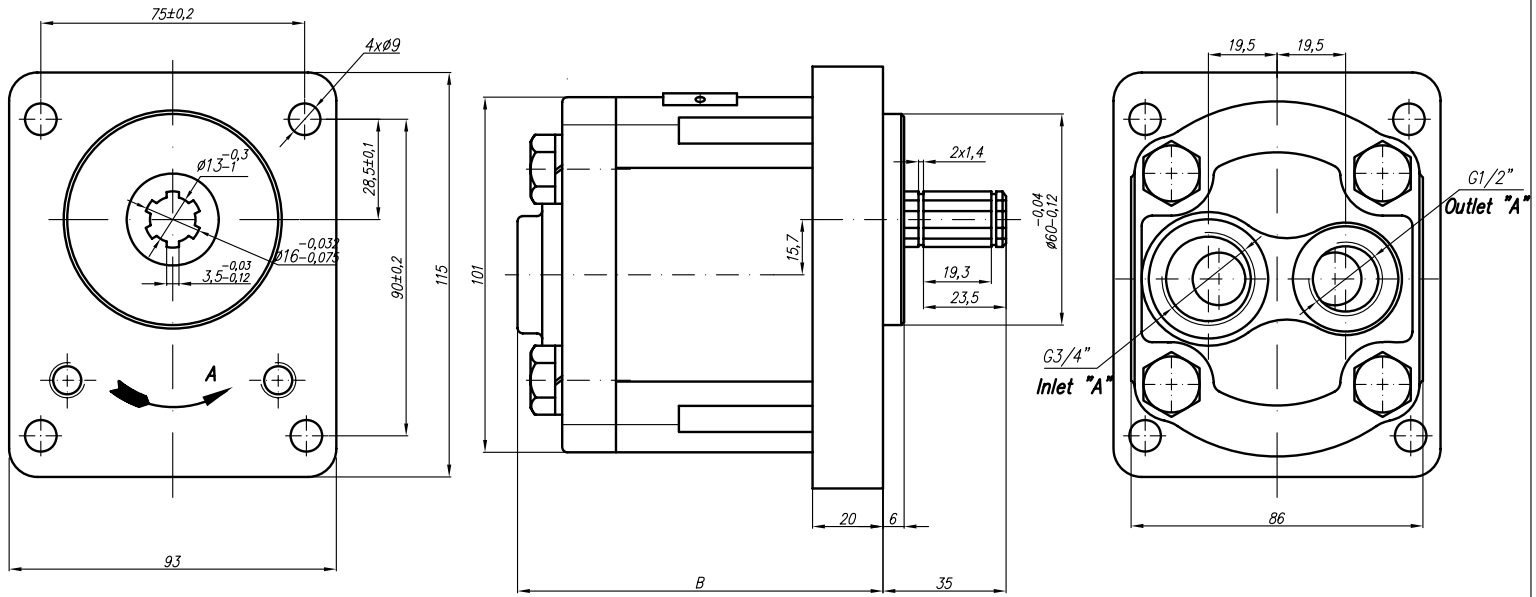


| Type | Displacement cm ³ /rev | Flow | | Pressure P _{nom} bar | max Speed n rpm | Dimension | | | | | | | |
|------------------|--------------------------------------|----------------------|---------------------|-------------------------------------|-----------------------|-----------|---------|---------|------|---|---------|---|------|
| | | at 1500 rpm l/min | at max rpm l/min | | | A mm | B mm | Inlet | | | Outlet | | |
| | | | | | | | | M | G | U | M | G | U |
| 20A(C)4,5X114... | 4,5 | 6,14 | 14,33 | 250 | 3500 | 42,5 | 80 | M18x1,5 | G1/2 | | M14x1,5 | | |
| 20A(C)6,3X114... | 6,3 | 8,69 | 20,29 | 250 | 3500 | 42,5 | 80 | M18x1,5 | G1/2 | | M14x1,5 | | |
| 20A(C)8,2X114... | 8,2 | 11,32 | 26,40 | 250 | 3500 | 42,5 | 80 | M18x1,5 | G1/2 | | M14x1,5 | | |
| 20A(C)10X114... | 10 | 13,95 | 32,55 | 250 | 3500 | 47 | 89 | M22x1,5 | G1/2 | | M18x1,5 | | |
| 20A(C)11X114... | 11,3 | 15,76 | 36,78 | 250 | 3500 | 48,6 | 91,1 | M22x1,5 | G1/2 | | M18x1,5 | | |
| 20A(C)12X114... | 12 | 16,92 | 39,48 | 250 | 3500 | 49 | 92,3 | M22x1,5 | G1/2 | | M18x1,5 | | |
| 20A(C)14X114... | 14 | 19,95 | 46,55 | 250 | 3500 | 49 | 95,4 | M27x2 | G3/4 | | M18x1,5 | | G1/2 |
| 20A(C)15X114... | 15 | 21,60 | 36,00 | 250 | 2500 | 49,5 | 96,9 | M27x2 | G3/4 | | M18x1,5 | | G1/2 |
| 20A(C)16X114... | 16 | 23,04 | 38,40 | 250 | 2500 | 52 | 98,6 | M27x2 | G3/4 | | M18x1,5 | | G1/2 |
| 20A(C)19X114... | 19 | 27,36 | 45,60 | 200 | 2500 | 53 | 103,5 | M27x2 | G3/4 | | M18x1,5 | | G1/2 |
| 20A(C)22X114... | 22 | 31,68 | 42,24 | 180 | 2000 | 57 | 108,5 | M27x2 | G3/4 | | M18x1,5 | | G1/2 |
| 20A(C)25X114... | 25 | 36,00 | 48,00 | 160 | 2000 | 59,2 | 113,4 | M27x2 | G3/4 | | M18x1,5 | | G1/2 |

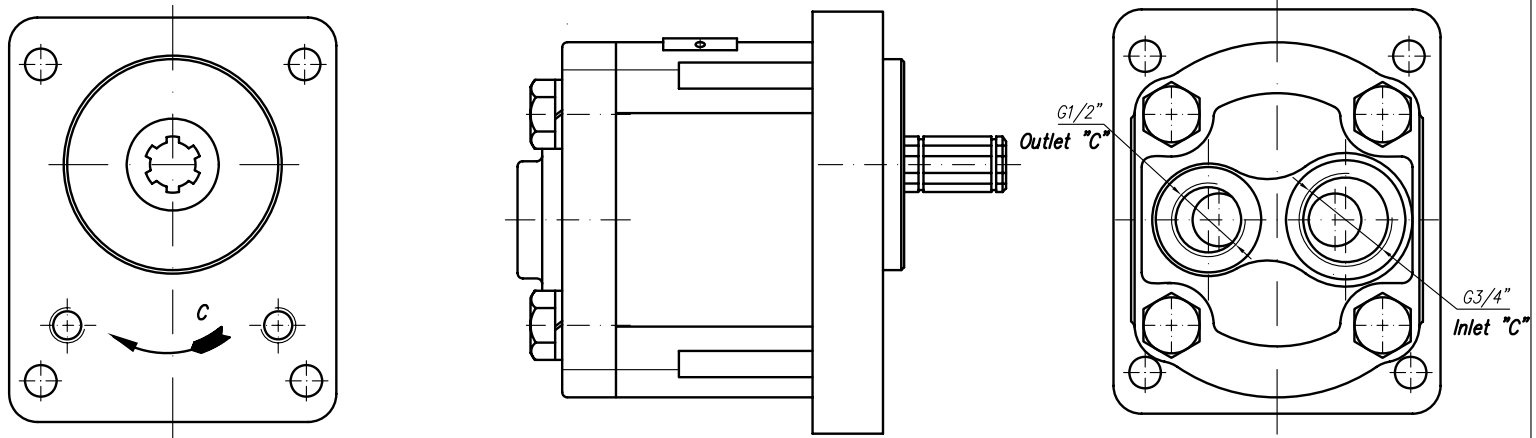


| Type | Displacement cm ³ /rev | Flow | | Pressure P _{nom} bar | max Speed n rpm | Dimension | | | | | | | | |
|---------------|--------------------------------------|----------------------|---------------------|-------------------------------------|-----------------------|-----------|---------|-------|----|-------|--------|----|-------|--|
| | | at 1500 rpm l/min | at max rpm l/min | | | A mm | B mm | Inlet | | | Outlet | | | |
| | | | | | | E | F | d | E | F | d | | | |
| 20A(C)4,5X124 | 4,5 | 6,14 | 14,33 | 250 | 3500 | 39,8 | 85,2 | 40 | 20 | M6-6H | 35 | 15 | M6-6H | |
| 20A(C)6,3X124 | 6,3 | 8,69 | 20,29 | 250 | 3500 | 41 | 88,2 | | | | | | | |
| 20A(C)8,2X124 | 8,2 | 11,32 | 26,40 | 250 | 3500 | 43,1 | 91,1 | | | | | | | |
| 20A(C)10X124 | 10 | 13,95 | 32,55 | 250 | 3500 | 47,5 | 94,1 | | | | | | | |
| 20A(C)11X124 | 11,3 | 15,76 | 36,78 | 250 | 3500 | 47,5 | 96,2 | | | | | | | |
| 20A(C)12X124 | 12 | 16,92 | 39,48 | 250 | 3500 | 47,5 | 97,5 | | | | | | | |
| 20A(C)14X124 | 14 | 19,95 | 46,55 | 250 | 3500 | 47,5 | 100,6 | | | | | | | |
| 20A(C)15X124 | 15 | 21,60 | 36,00 | 250 | 2500 | 47,5 | 102,1 | | | | | | | |
| 20A(C)16X124 | 16 | 23,04 | 38,40 | 250 | 2500 | 47,5 | 103,8 | | | | | | | |
| 20A(C)19X124 | 19 | 27,36 | 45,60 | 200 | 2500 | 47,5 | 108,7 | | | | | | | |
| 20A(C)22X124 | 22 | 31,68 | 42,24 | 180 | 2000 | 55 | 113,7 | | | | | | | |
| 20A(C)25X124 | 25 | 36,00 | 48,00 | 160 | 2000 | 57,2 | 118,5 | | | | | | | |

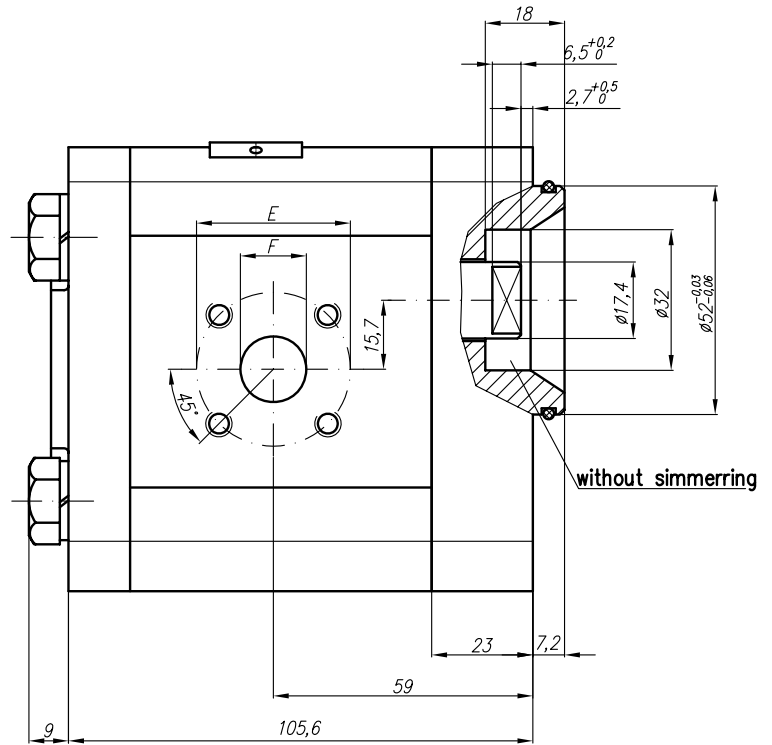
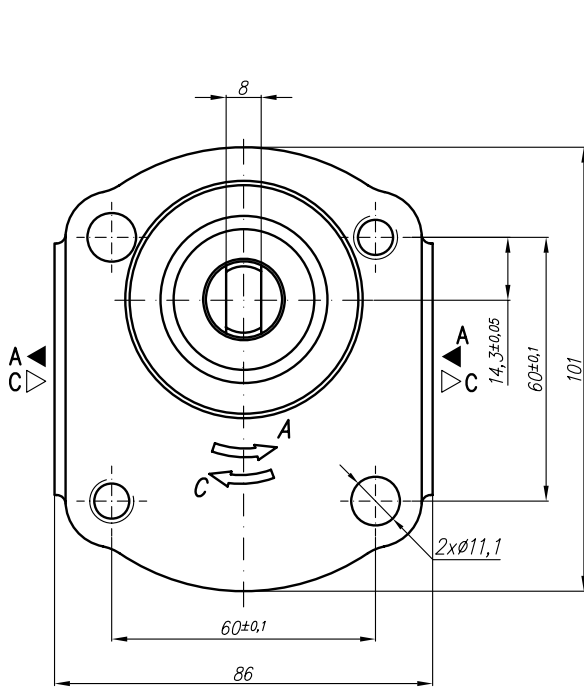
Rotation "A"



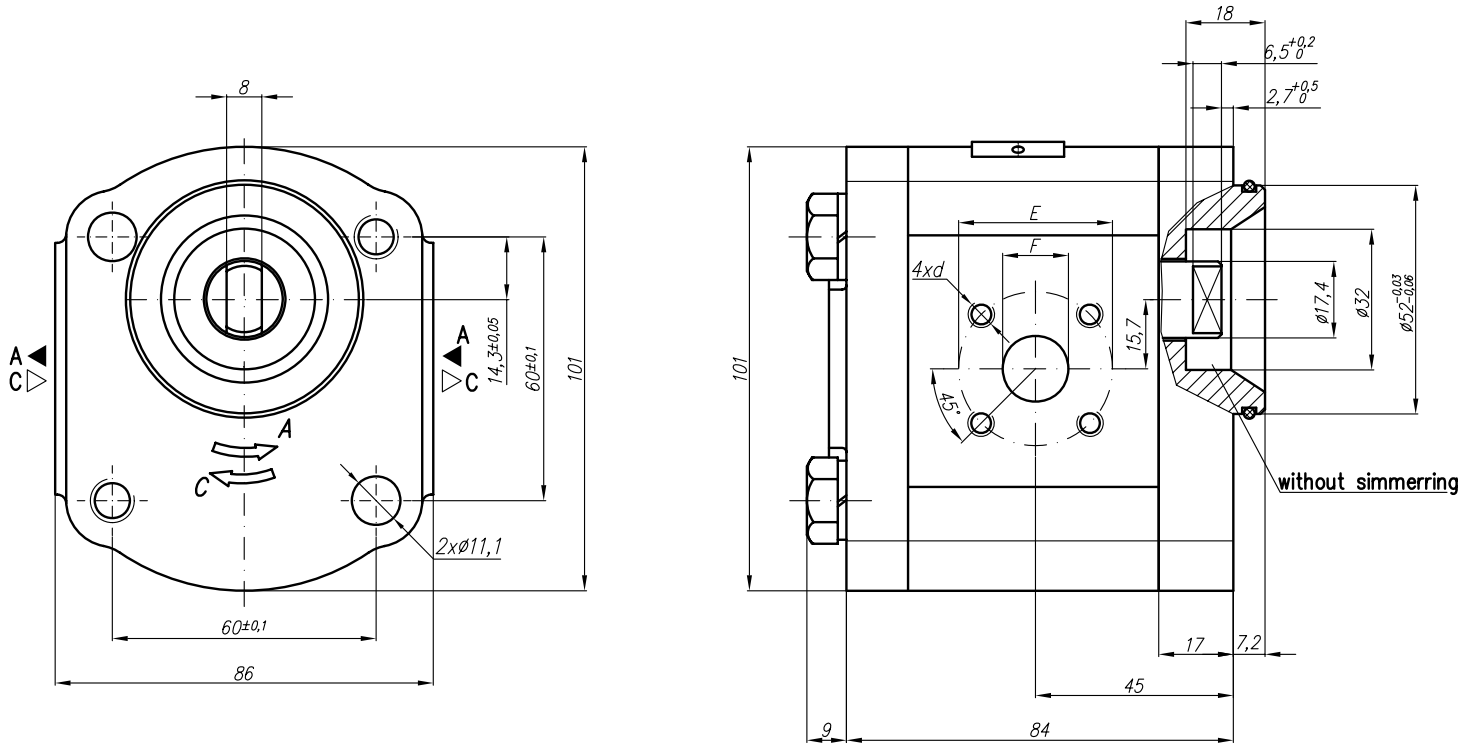
Rotation "C"



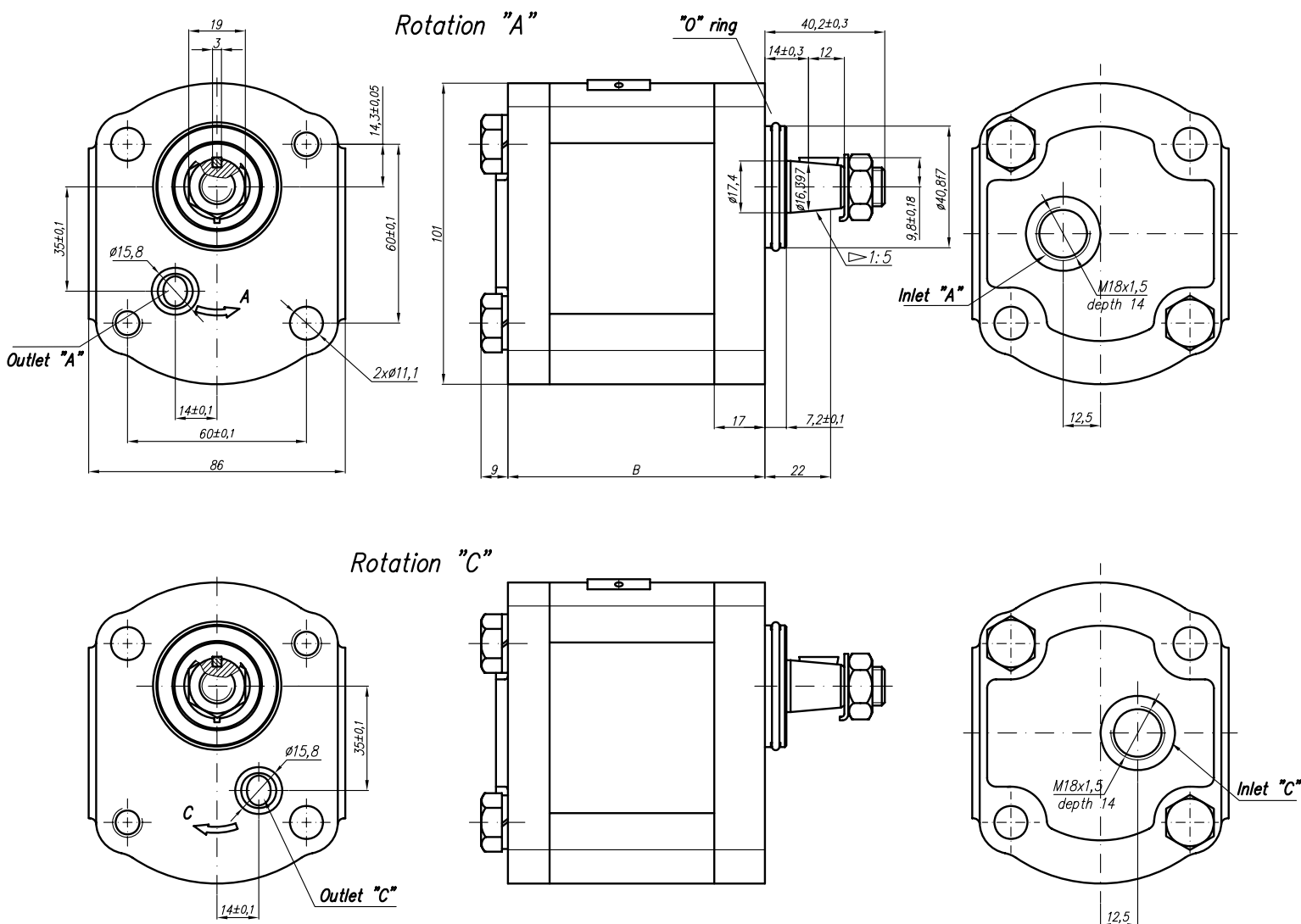
| Type | Displacement cm ³ /rev | Flow | | Pressure P _{nom} bar | max Speed n rpm | Dimension | | | | | | |
|----------------|--------------------------------------|----------------------|---------------------|-------------------------------------|-----------------------|-----------|---------|------------|--|-------------|--|--|
| | | at 1500 rpm l/min | at max rpm l/min | | | A mm | B mm | Inlet G | | Outlet G | | |
| 20A(C)6,3X126W | 6,3 | 8,69 | 20,29 | 250 | 3500 | | 98 | | | | | |
| 20A(C)8,2X126W | 8,2 | 11,32 | 26,40 | 250 | 3500 | | 100,9 | | | | | |
| 20A(C)10X126W | 10 | 13,95 | 32,55 | 250 | 3500 | | 103,9 | | | | | |
| 20A(C)11X126W | 11,3 | 15,76 | 36,78 | 250 | 3500 | | 106 | | | | | |
| 20A(C)14X126W | 14 | 19,95 | 46,55 | 250 | 3500 | | 110,4 | | | | | |
| 20A(C)16X126W | 16 | 23,04 | 38,40 | 250 | 2500 | | 113,5 | | | | | |
| 20A(C)19X126W | 19 | 27,36 | 45,60 | 200 | 2500 | | 118,5 | | | | | |
| 20A(C)22X126W | 22 | 31,68 | 42,24 | 180 | 2000 | | 123,5 | | | | | |



| Type | Displacement cm ³ /rev | Flow | | Pressure P _{nom} bar | max Speed n rpm | Dimension | | | | | | | |
|--------------|--------------------------------------|----------------------|---------------------|-------------------------------------|-----------------------|-----------|---------|-------|----|--------|----|----|----|
| | | at 1500 rpm l/min | at max rpm l/min | | | A mm | B mm | Inlet | | Outlet | | | |
| | | | | | | E | F | d | E | F | d | | |
| 20A(C)11X127 | 16 | 23,04 | 53,76 | 250 | 3500 | 59 | 105,6 | 40 | 20 | M6 | 35 | 15 | M6 |

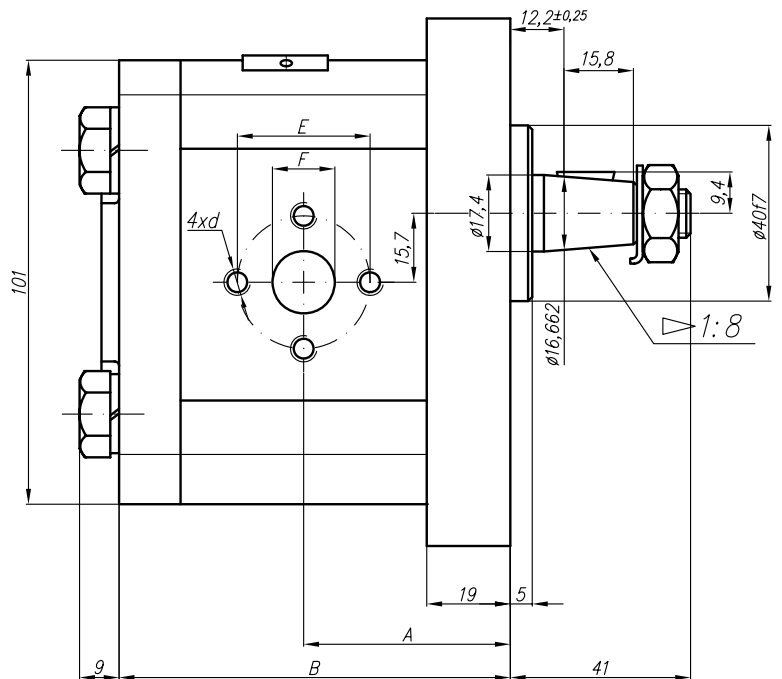
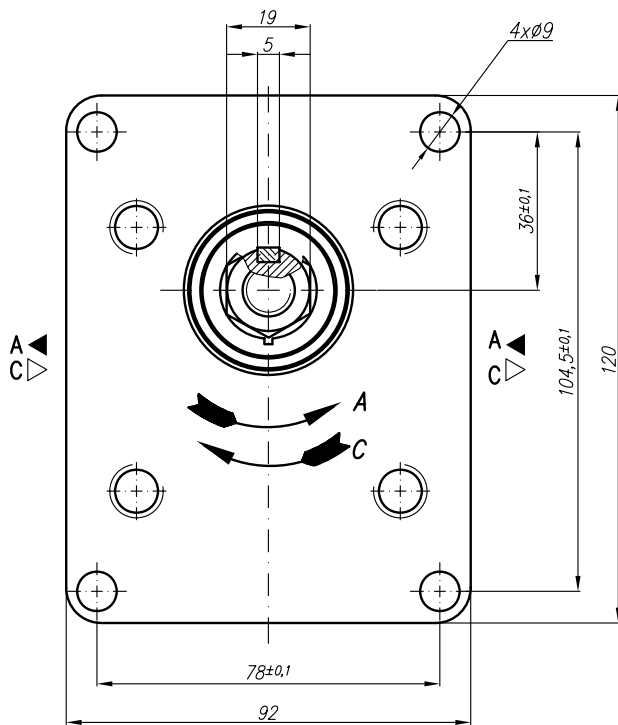


| Type | Displacement cm ³ /rev | Flow | | Pressure P _{nom} bar | max Speed n rpm | Dimension | | | | | | | |
|--------------|--------------------------------------|----------------------|---------------------|-------------------------------------|-----------------------|-----------|---------|-------|----|----|--------|----|----|
| | | at 1500 rpm l/min | at max rpm l/min | | | A mm | B mm | Inlet | | | Outlet | | |
| 20A(C)11X128 | 11,3 | 15,76 | 36,78 | 250 | 3500 | 45 | 84 | 40 | 20 | M6 | 35 | 15 | M6 |

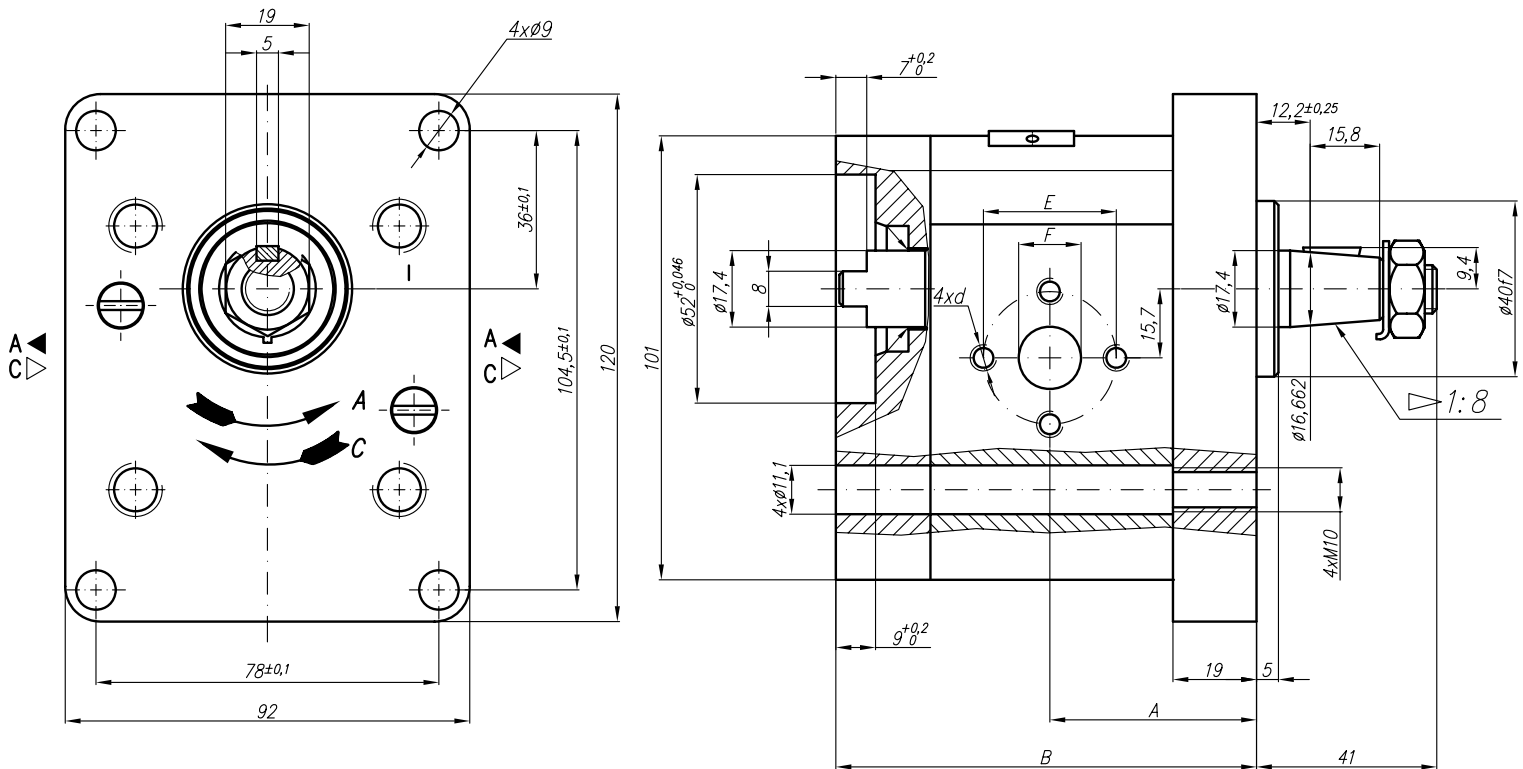


* It's required inlet overpressure 0,2...0,3 bar at max speed.

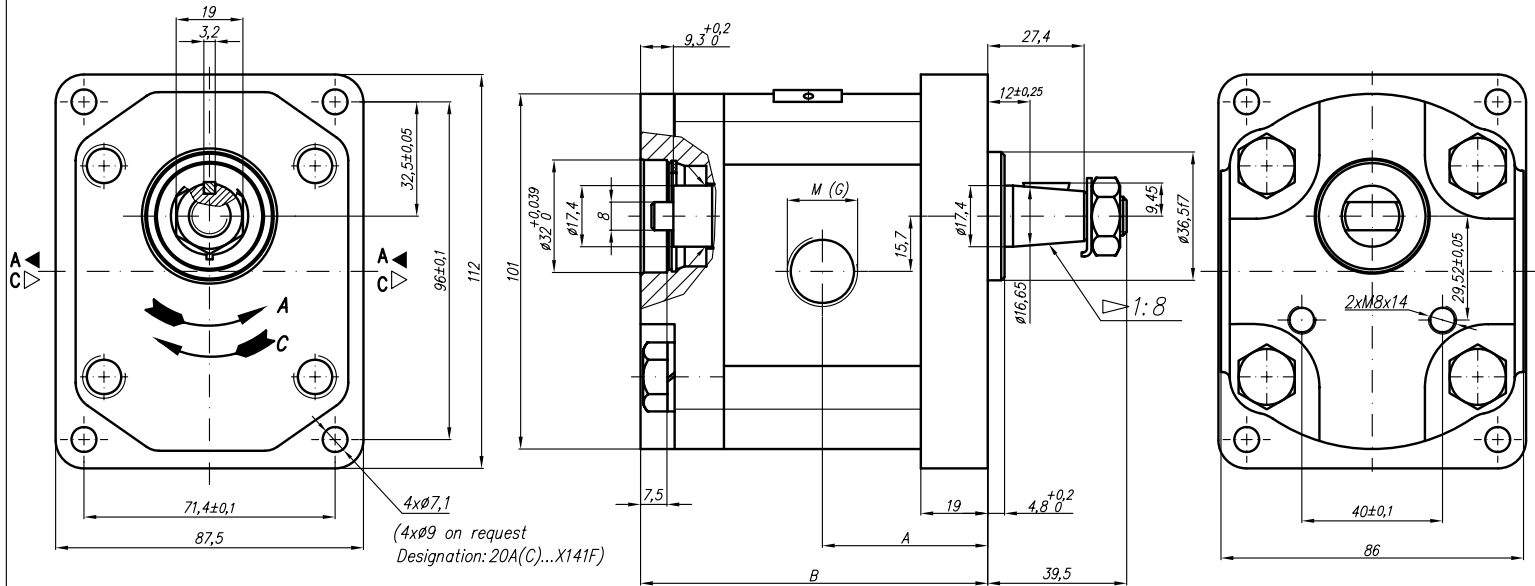
| Type | Displacement cm ³ /rev | Flow | | Pressure P _{nom} bar | max Speed n* rpm | Dimension | | | | | | | |
|---------------|--------------------------------------|----------------------|---------------------|-------------------------------------|------------------------|-----------|---------|-------|---|---|--------|--|--|
| | | at 1500 rpm l/min | at max rpm l/min | | | A mm | B mm | Inlet | | | Outlet | | |
| | | | | | | | | M | G | U | | | |
| 20A(C)4,5X132 | 4,5 | 6,14 | 14,33 | 250 | 3500 | 75,1 | | | | | | | |
| 20A(C)6,3X132 | 6,3 | 8,69 | 20,29 | 250 | 3500 | 78 | | | | | | | |
| 20A(C)8,2X132 | 8,2 | 11,32 | 26,40 | 250 | 3500 | 78 | | | | | | | |
| 20A(C)10X132 | 10 | 13,95 | 32,55 | 250 | 3500 | 87 | | | | | | | |
| 20A(C)11X132 | 11,3 | 15,76 | 36,78 | 250 | 3500 | 89,1 | | | | | | | |
| 20A(C)12X132 | 12 | 16,92 | 39,48 | 250 | 3500 | 90,3 | | | | | | | |
| 20A(C)14X132 | 14 | 19,95 | 46,55 | 250 | 3500 | 93,4 | | | | | | | |
| 20A(C)15X132 | 15 | 21,60 | 36,00 | 250 | 2500 | 94,9 | | | | | | | |
| 20A(C)16X132 | 16 | 23,04 | 38,40 | 250 | 2500 | 96,5 | | | | | | | |
| 20A(C)19X132 | 19 | 27,36 | 45,60 | 200 | 2500 | 101,5 | | | | | | | |
| 20A(C)22X132 | 22 | 31,68 | 42,24 | 180 | 2000 | 106,5 | | | | | | | |
| 20A(C)25X132 | 25 | 36,00 | 48,00 | 160 | 2000 | 111,4 | | | | | | | |



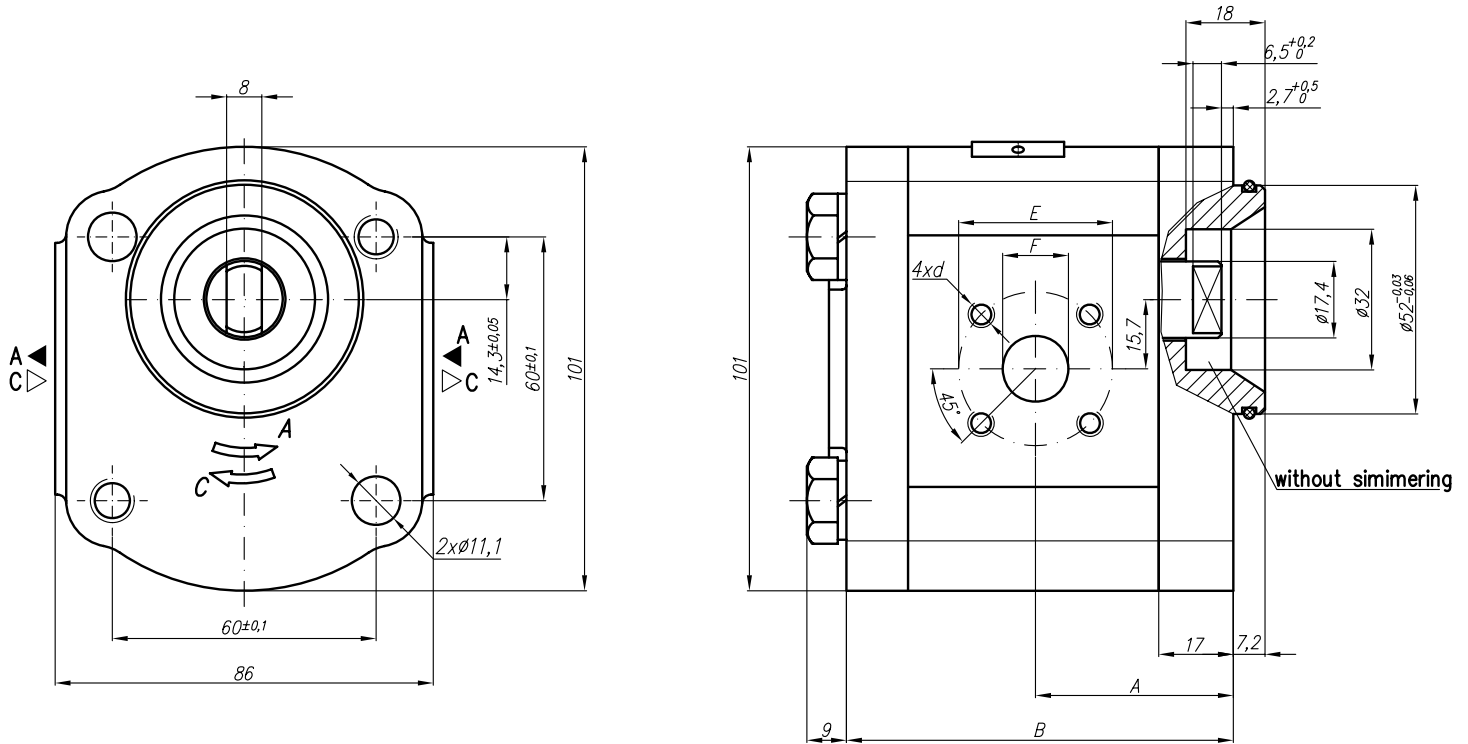
| Type | Displacement cm ³ /rev | Flow | | Pressure P _{nom} bar | max Speed n rpm | Dimension | | | | | | | |
|---------------|--------------------------------------|----------------------|---------------------|-------------------------------------|-----------------------|-----------|---------|-------|------|-------|--------|------|-------|
| | | at 1500 rpm l/min | at max rpm l/min | | | A mm | B mm | Inlet | | | Outlet | | |
| | | | | | | | | E | F | d | E | F | d |
| 20A(C)4,5X139 | 4,5 | 6,14 | 14,33 | 250 | 3500 | 42,5 | 80 | 30,2 | 13,1 | M6-6H | 30,2 | 13,1 | M6-6H |
| 20A(C)6,3X139 | 6,3 | 8,69 | 20,29 | 250 | 3500 | 44 | 83 | | | | | | |
| 20A(C)8,2X139 | 8,2 | 11,32 | 26,40 | 250 | 3500 | 45,5 | 86 | | | | | | |
| 20A(C)10X139 | 10 | 13,95 | 32,55 | 250 | 3500 | 47 | 89 | | | | | | |
| 20A(C)11X139 | 11,3 | 15,76 | 36,78 | 250 | 3500 | 48 | 91,1 | | | | | | |
| 20A(C)12X139 | 12 | 16,92 | 39,48 | 250 | 3500 | 48,6 | 92,3 | 39,7 | 19 | M8-6H | 30,2 | 14,2 | M6-6H |
| 20A(C)14X139 | 14 | 19,95 | 46,55 | 250 | 3500 | 50 | 95,4 | | | | | | |
| 20A(C)15X139 | 15 | 21,60 | 36,00 | 250 | 2500 | 51 | 96,9 | | | | | | |
| 20A(C)16X139 | 16 | 23,04 | 38,40 | 250 | 2500 | 52 | 98,6 | | | | | | |
| 20A(C)19X139 | 19 | 27,36 | 45,60 | 200 | 2500 | 54 | 103,5 | | | | | | |
| 20A(C)22X139 | 22 | 31,68 | 42,24 | 180 | 2000 | 57 | 108,5 | 39,7 | 19 | M8 | 39,7 | 19 | M8 |
| 20A(C)25X139 | 25 | 36,00 | 48,00 | 160 | 2000 | 59,2 | 113,4 | | | | | | |



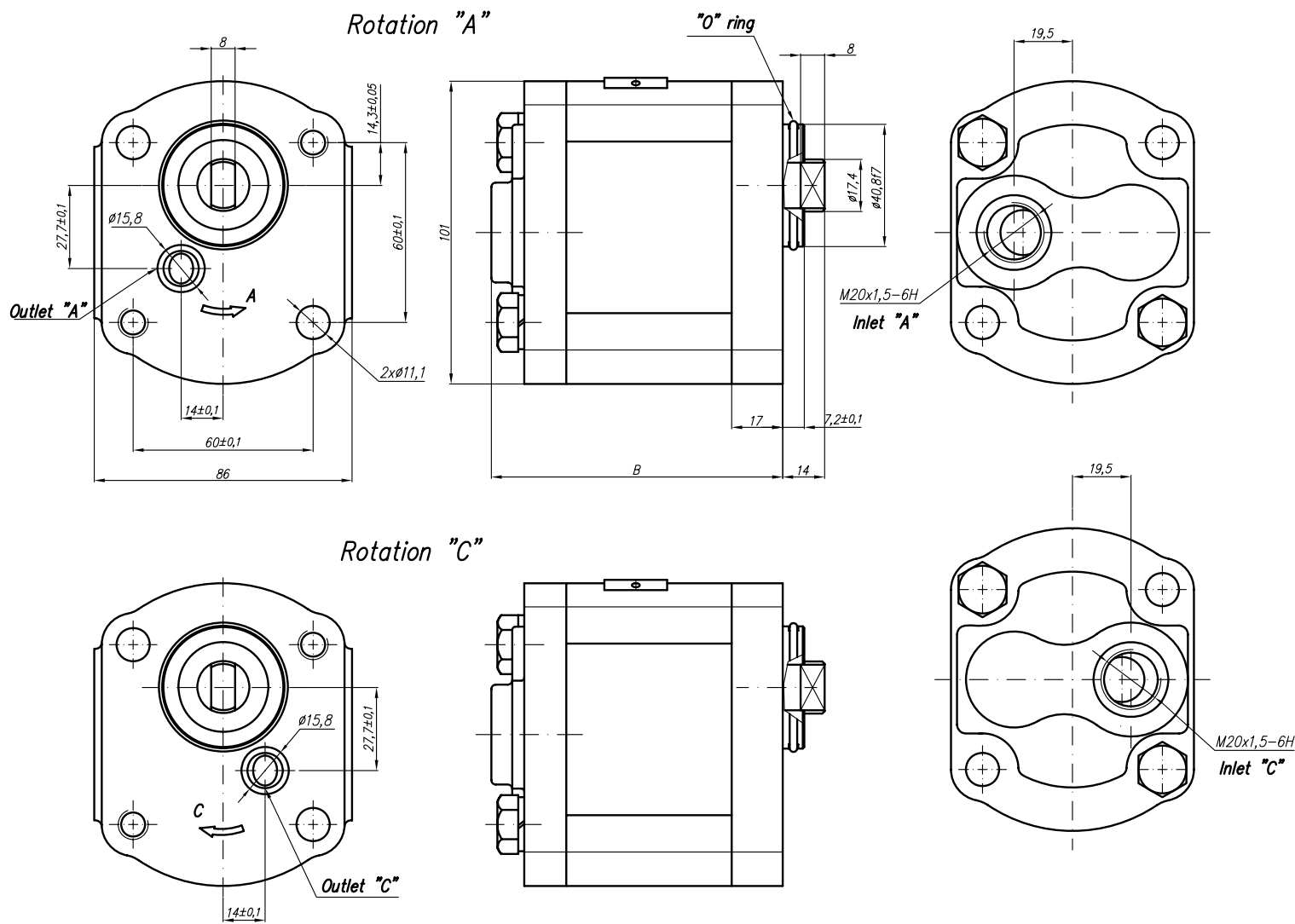
| Type | Displacement cm ³ /rev | Flow | | Pressure P _{nom} bar | max Speed n rpm | Dimension | | | | | | | |
|---------------|--------------------------------------|----------------------|---------------------|-------------------------------------|-----------------------|-----------|---------|-------|------|-------|--------|------|-------|
| | | at 1500 rpm l/min | at max rpm l/min | | | A mm | B mm | Inlet | | | Outlet | | |
| | | | | | | | | E | F | d | E | F | d |
| 20A(C)4,5X140 | 4,5 | 6,14 | 14,33 | 250 | 3500 | 42,5 | 87,2 | 30,2 | 13,1 | M6-6H | 30,2 | 13,1 | |
| 20A(C)6,3X140 | 6,3 | 8,69 | 20,29 | 250 | 3500 | 44 | 90,2 | | | | | | |
| 20A(C)8,2X140 | 8,2 | 11,32 | 26,40 | 250 | 3500 | 45,5 | 93,1 | 39,7 | 19 | M8-6H | 30,2 | 14,2 | M6-6H |
| 20A(C)10X140 | 10 | 13,95 | 32,55 | 250 | 3500 | 47 | 96,2 | | | | | | |
| 20A(C)11X140 | 11,3 | 15,76 | 36,78 | 250 | 3500 | 48 | 98,2 | 39,7 | 19 | M8-6H | 30,2 | 14,2 | M6-6H |
| 20A(C)12X140 | 12 | 16,92 | 39,48 | 250 | 3500 | 48,6 | 99,5 | | | | | | |
| 20A(C)14X140 | 14 | 19,95 | 46,55 | 250 | 3500 | 50 | 102,6 | 39,7 | 19 | M8-6H | 30,2 | 14,2 | M6-6H |
| 20A(C)15X140 | 15 | 21,60 | 36,00 | 250 | 2500 | 51 | 104,1 | | | | | | |
| 20A(C)16X140 | 16 | 23,04 | 38,40 | 250 | 2500 | 52 | 105,8 | 39,7 | 19 | M8-6H | 30,2 | 14,2 | M6-6H |
| 20A(C)19X140 | 19 | 27,36 | 45,60 | 200 | 2500 | 54 | 110,7 | | | | | | |
| 20A(C)22X140 | 22 | 31,68 | 42,24 | 180 | 2000 | 57 | 115,7 | 39,7 | 19 | M8-6H | 30,2 | 14,2 | M6-6H |
| 20A(C)25X140 | 25 | 36,00 | 48,00 | 160 | 2000 | 59,2 | 120,6 | | | | | | |



| Type | Displacement cm ³ /rev | Flow | | Pressure P _{nom} bar | max Speed n rpm | Dimension | | | | | | | |
|------------------|--------------------------------------|----------------------|---------------------|-------------------------------------|-----------------------|-----------|---------|---------|--------|---|---|---|---|
| | | at 1500 rpm l/min | at max rpm l/min | | | Inlet | | | Outlet | | | | |
| | | | | | | A mm | B mm | M | G | U | M | G | U |
| 20A(C)4,5X141... | 4,5 | 6,14 | 14,33 | 250 | 3500 | 42,5 | 89,7 | M20x1,5 | G1/2 | | | | |
| 20A(C)6,3X141... | 6,3 | 8,69 | 20,29 | 250 | 3500 | 44 | 92,7 | | | | | | |
| 20A(C)8,2X141... | 8,2 | 11,32 | 26,40 | 250 | 3500 | 45,5 | 95,6 | | | | | | |
| 20A(C)10X141... | 10 | 13,95 | 32,55 | 250 | 3500 | 47 | 98,7 | | | | | | |
| 20A(C)11X141... | 11,3 | 15,76 | 36,78 | 250 | 3500 | 48 | 100,7 | | | | | | |
| 20A(C)12X141... | 12 | 16,92 | 39,48 | 250 | 3500 | 48,6 | 102 | | G3/4 | | | | |
| 20A(C)14X141... | 14 | 19,95 | 46,55 | 250 | 3500 | 50 | 105,1 | | | | | | |
| 20A(C)15X141... | 15 | 21,60 | 36,00 | 250 | 2500 | 51 | 106,6 | | | | | | |
| 20A(C)16X141... | 16 | 23,04 | 38,40 | 250 | 2500 | 52 | 108,3 | | | | | | |
| 20A(C)19X141... | 19 | 27,36 | 45,60 | 200 | 2500 | 54 | 113,2 | | | | | | |
| 20A(C)22X141... | 22 | 31,68 | 42,24 | 180 | 2000 | 57 | 118,2 | | | | | | |
| 20A(C)25X141... | 25 | 36,00 | 48,00 | 160 | 2000 | 59,2 | 123,1 | | | | | | |



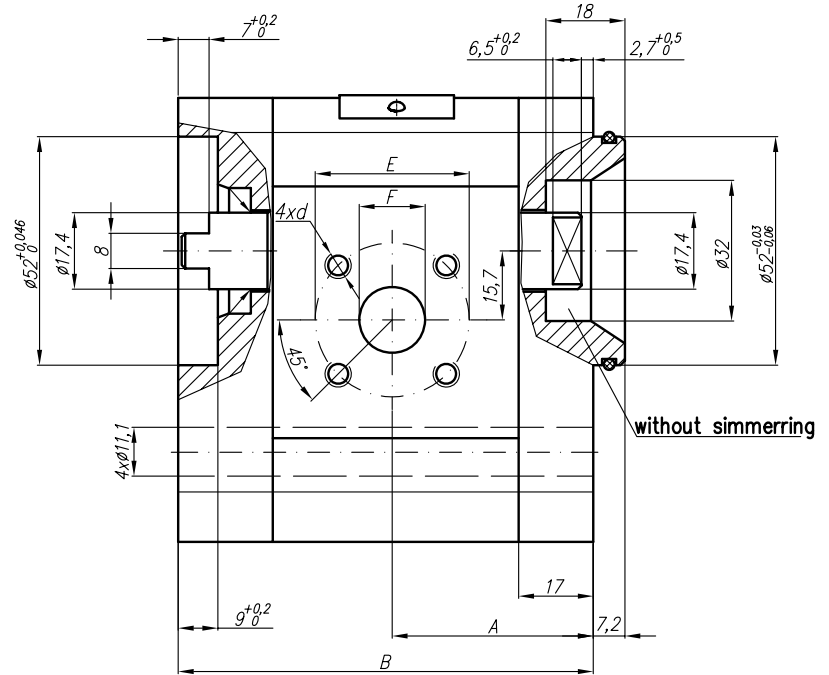
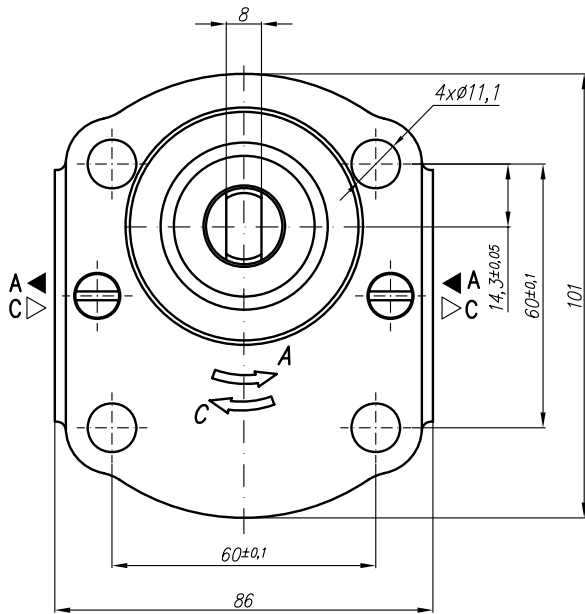
| Type | Displacement cm ³ /rev | Flow | | Pressure P _{nom} bar | max Speed n rpm | Dimension | | | | | | | | |
|---------------|--------------------------------------|----------------------|---------------------|-------------------------------------|-----------------------|-----------|---------|-------|----|-------|--------|----|-------|--|
| | | at 1500 rpm l/min | at max rpm l/min | | | A mm | B mm | Inlet | | | Outlet | | | |
| | | | | | | E | F | d | E | F | d | | | |
| 20A(C)4,5X147 | 4,5 | 6,14 | 14,33 | 250 | 3500 | 37,3 | 78 | 40 | 15 | M6-6H | 35 | 15 | M6-6H | |
| 20A(C)6,3X147 | 6,3 | 8,69 | 20,29 | 250 | 3500 | 38,6 | 81 | | | | | | | |
| 20A(C)8,2X147 | 8,2 | 11,32 | 26,40 | 250 | 3500 | 40,6 | 83,9 | | | | | | | |
| 20A(C)10X147 | 10 | 13,95 | 32,55 | 250 | 3500 | 45 | 87 | | | | | | | |
| 20A(C)11X147 | 11,3 | 15,76 | 36,78 | 250 | 3500 | 45 | 89,1 | | | | | | | |
| 20A(C)12X147 | 12 | 16,92 | 39,48 | 250 | 3500 | 45 | 90,3 | | | | | | | |
| 20A(C)14X147 | 14 | 19,95 | 46,55 | 250 | 3500 | 45 | 93,4 | | | | | | | |
| 20A(C)15X147 | 15 | 21,60 | 36,00 | 250 | 2500 | 45 | 94,9 | | | | | | | |
| 20A(C)16X147 | 16 | 23,04 | 38,40 | 250 | 2500 | 45 | 96,5 | | | | | | | |
| 20A(C)19X147 | 19 | 27,36 | 45,60 | 200 | 2500 | 45 | 101,5 | | | | | | | |
| 20A(C)22X147 | 22 | 31,68 | 42,24 | 180 | 2000 | 52,5 | 106,5 | | | | | | | |
| 20A(C)25X147 | 25 | 36,00 | 48,00 | 160 | 2000 | 57,2 | 111,4 | | | | | | | |



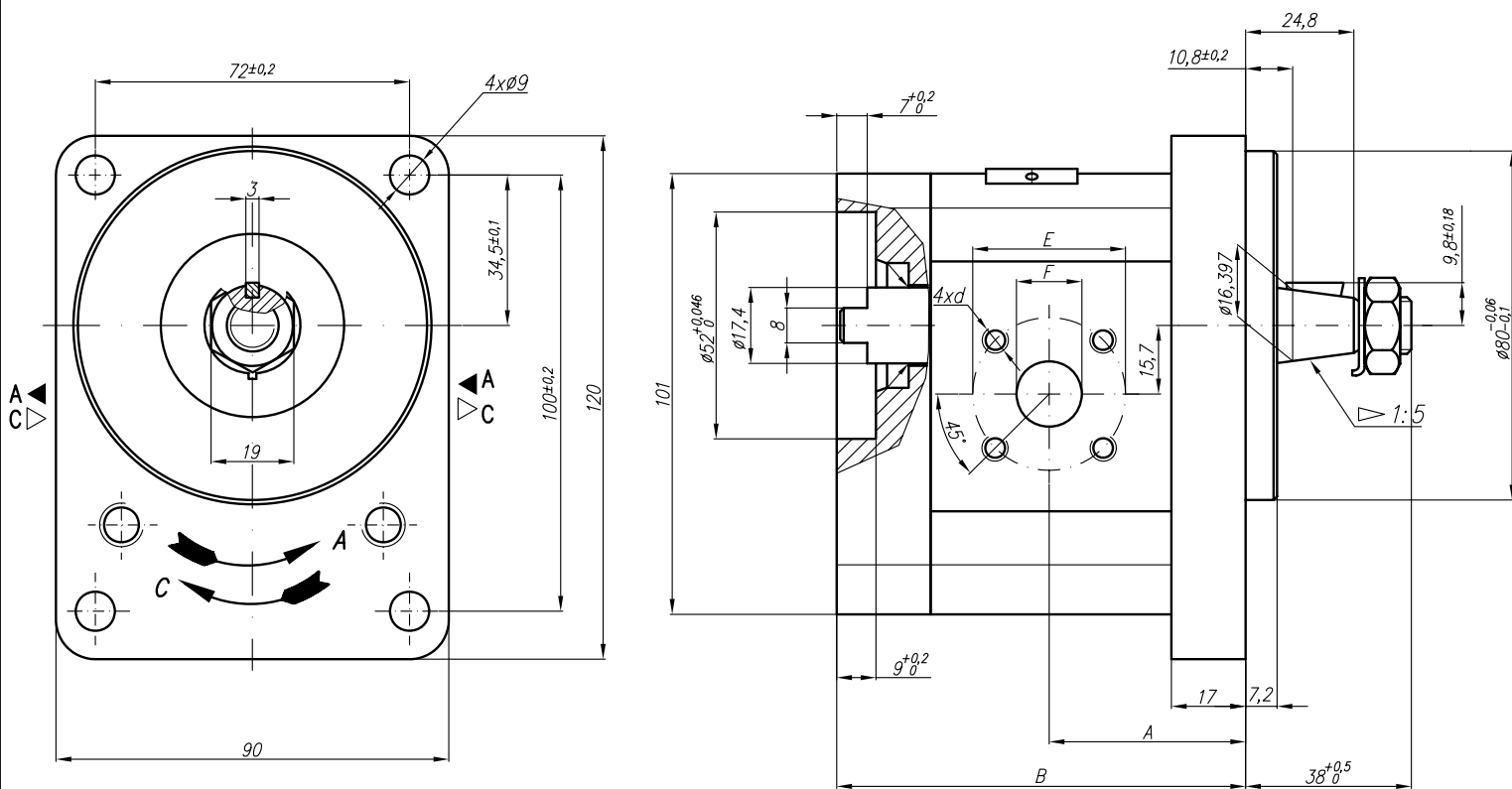
* It's required inlet overpressure 0,2...0,3 bar at max speed.

| Type | Displacement cm ³ /rev | Flow | | Pressure P _{nom} bar | max Speed n* rpm | Dimension | | | | | | | |
|---------------|--------------------------------------|----------------------|---------------------|-------------------------------------|------------------------|-----------|---------|---------|---|---|--------|--|--|
| | | at 1500 rpm l/min | at max rpm l/min | | | A mm | B mm | Inlet | | | Outlet | | |
| | | | | | | | | M | G | U | | | |
| 20A(C)4,5X153 | 4,5 | 6,14 | 14,33 | 250 | 3500 | | 89,1 | M20x1,5 | | | | | |
| 20A(C)6,3X153 | 6,3 | 8,69 | 20,29 | 250 | 3500 | | 92 | | | | | | |
| 20A(C)8,2X153 | 8,2 | 11,32 | 26,40 | 250 | 3500 | | 92 | | | | | | |
| 20A(C)10X153 | 10 | 13,95 | 32,55 | 250 | 3500 | | 101 | | | | | | |
| 20A(C)11X153 | 11,3 | 15,76 | 36,78 | 250 | 3500 | | 103 | | | | | | |
| 20A(C)12X153 | 12 | 16,92 | 39,48 | 250 | 3500 | | 104,3 | | | | | | |
| 20A(C)14X153 | 14 | 19,95 | 46,55 | 250 | 3500 | | 107,4 | | | | | | |
| 20A(C)15X153 | 15 | 21,60 | 36,00 | 250 | 2500 | | 108,9 | | | | | | |
| 20A(C)16X153 | 16 | 23,04 | 38,40 | 250 | 2500 | | 110,5 | | | | | | |
| 20A(C)19X153 | 19 | 27,36 | 45,60 | 200 | 2500 | | 115,5 | | | | | | |
| 20A(C)22X153 | 22 | 31,68 | 42,24 | 180 | 2000 | | 120,5 | | | | | | |
| 20A(C)25X153 | 25 | 36,00 | 48,00 | 160 | 2000 | | 125,4 | | | | | | |

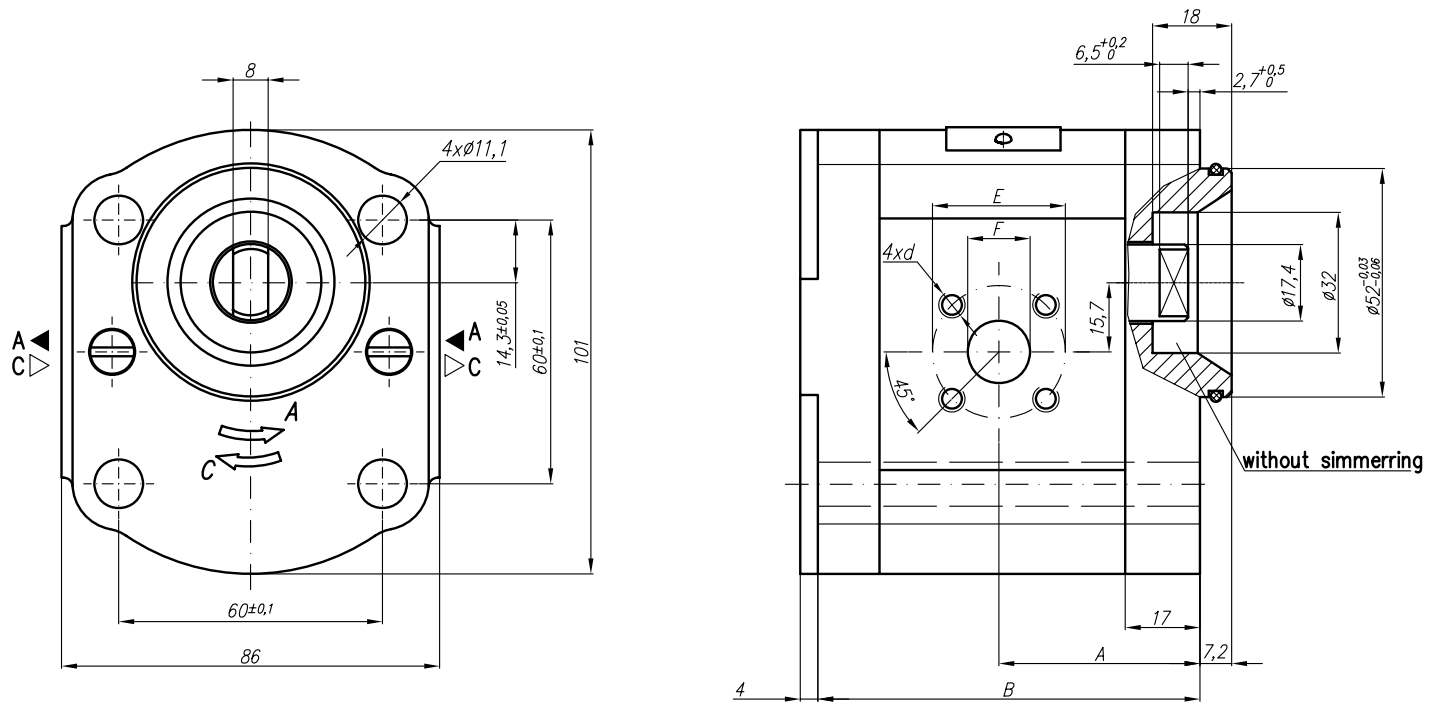
Designed as a middle section of multiple pumps group 222A(C).../...X156B/...



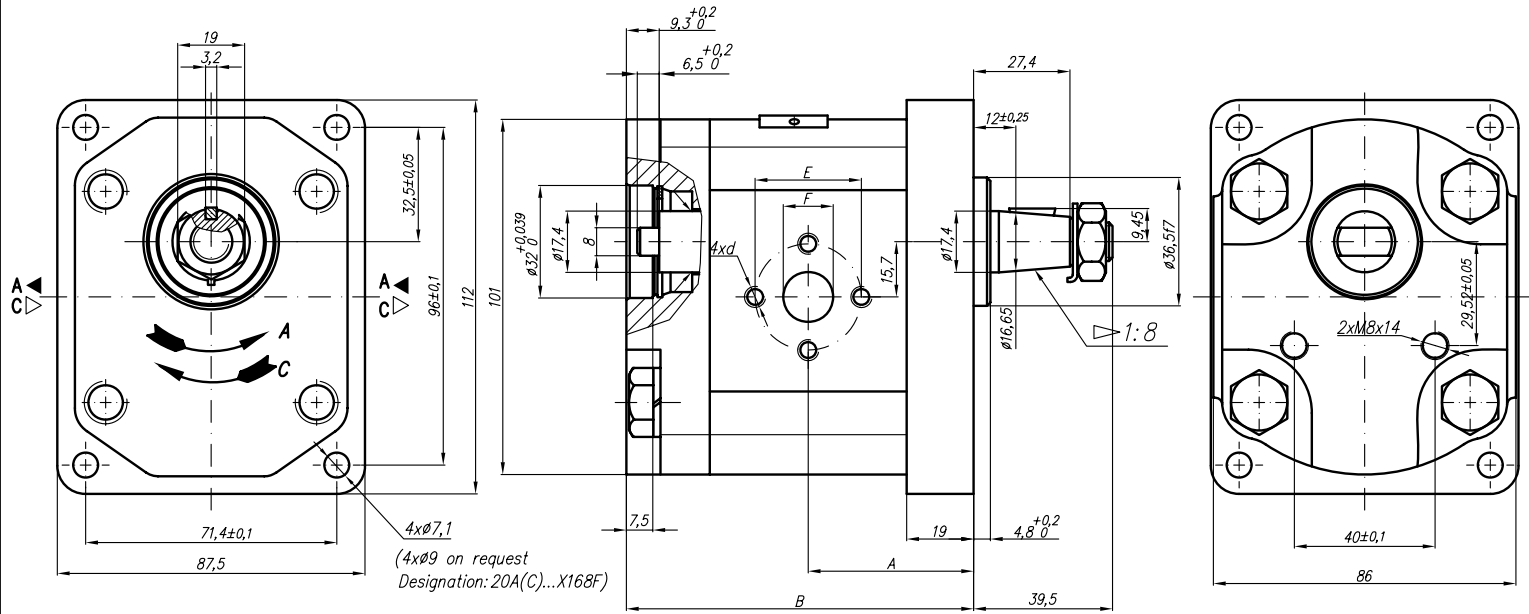
| Type | Displacement cm ³ /rev | Flow | | Pressure P _{nom} bar | max Speed n rpm | Dimension | | | | | | | | |
|----------------|--------------------------------------|----------------------|---------------------|-------------------------------------|-----------------------|-----------|---------|-------|----|-------|--------|----|-------|--|
| | | at 1500 rpm l/min | at max rpm l/min | | | A mm | B mm | Inlet | | | Outlet | | | |
| | | | | | | E | F | d | E | F | d | | | |
| 20A(C)4,5X156B | 4,5 | 6,14 | 14,33 | 250 | 3500 | 40,5 | 85,2 | 40 | 20 | M6-6H | 35 | 15 | M6-6H | |
| 20A(C)6,3X156B | 6,3 | 8,69 | 20,29 | 250 | 3500 | 42 | 88,2 | | | | | | | |
| 20A(C)8,2X156B | 8,2 | 11,32 | 26,40 | 250 | 3500 | 43,5 | 91,1 | | | | | | | |
| 20A(C)10X156B | 10 | 13,95 | 32,55 | 250 | 3500 | 45 | 94,1 | | | | | | | |
| 20A(C)11X156B | 11,3 | 15,76 | 36,78 | 250 | 3500 | 46 | 96,2 | | | | | | | |
| 20A(C)12X156B | 12 | 16,92 | 39,48 | 250 | 3500 | 46,6 | 97,5 | | | | | | | |
| 20A(C)14X156B | 14 | 19,95 | 46,55 | 250 | 3500 | 48 | 100,6 | | | | | | | |
| 20A(C)15X156B | 15 | 21,60 | 36,00 | 250 | 2500 | 49 | 102,1 | | | | | | | |
| 20A(C)16X156B | 16 | 23,04 | 38,40 | 250 | 2500 | 50 | 103,8 | | | | | | | |
| 20A(C)19X156B | 19 | 27,36 | 45,60 | 200 | 2500 | 52 | 108,7 | | | | | | | |
| 20A(C)22X156B | 22 | 31,68 | 42,24 | 180 | 2000 | 55 | 113,7 | | | | | | | |
| 20A(C)25X156B | 25 | 36,00 | 48,00 | 160 | 2000 | 57,2 | 118,5 | | | | | | | |



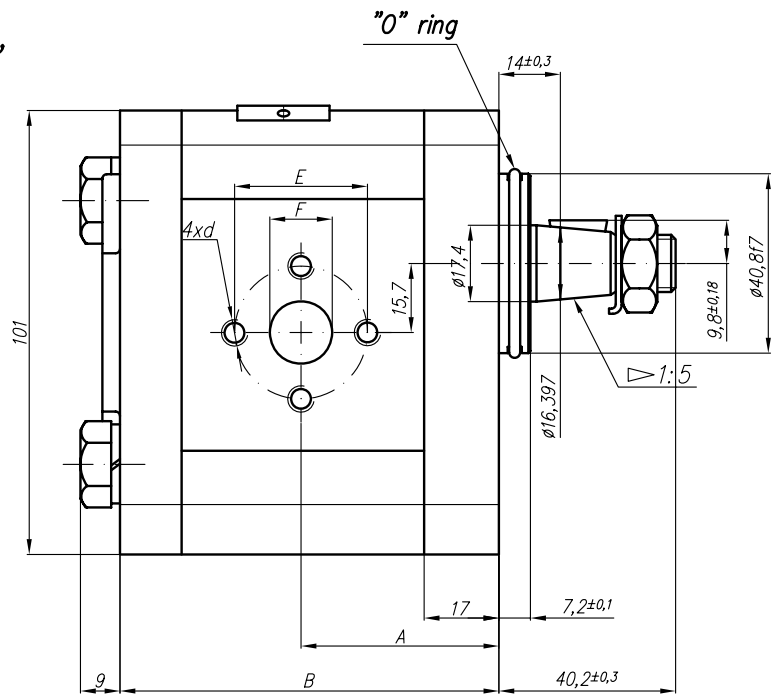
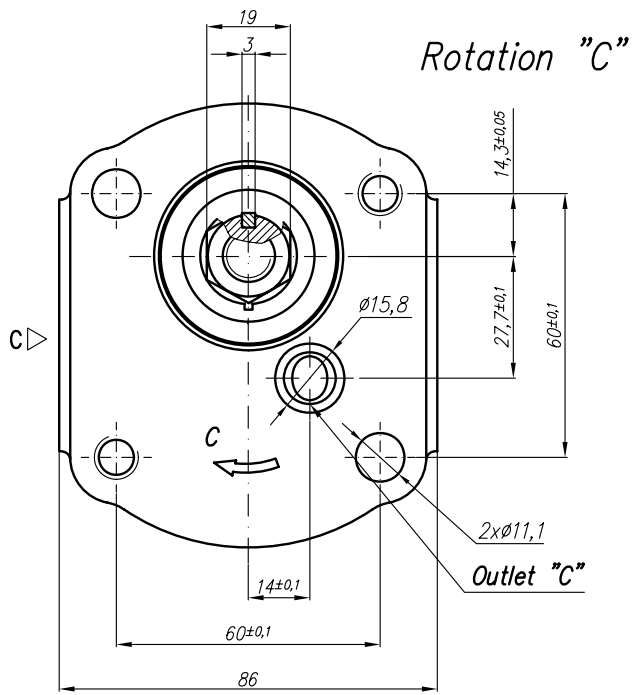
| Type | Displacement cm ³ /rev | Flow | | Pressure P _{nom} bar | max Speed n rpm | Dimension | | | | | | | |
|---------------|--------------------------------------|----------------------|---------------------|-------------------------------------|-----------------------|-----------|---------|-------|----|-------|--------|----|-------|
| | | at 1500 rpm l/min | at max rpm l/min | | | A mm | B mm | Inlet | | | Outlet | | |
| | | | | | | | | E | F | d | E | F | d |
| 20A(C)4,5X158 | 4,5 | 6,14 | 14,33 | 250 | 3500 | 39,8 | 85,2 | 40 | 15 | M6-6H | 35 | 15 | M6-6H |
| 20A(C)6,3X158 | 6,3 | 8,69 | 20,29 | 250 | 3500 | 41 | 88,2 | | | | | | |
| 20A(C)8,2X158 | 8,2 | 11,32 | 26,40 | 250 | 3500 | 43,1 | 91,1 | | | | | | |
| 20A(C)10X158 | 10 | 13,95 | 32,55 | 250 | 3500 | 47,5 | 94,1 | | 20 | | | | |
| 20A(C)11X158 | 11,3 | 15,76 | 36,78 | 250 | 3500 | 47,5 | 96,2 | | | | | | |
| 20A(C)12X158 | 12 | 16,92 | 39,48 | 250 | 3500 | 47,5 | 97,5 | | | | | | |
| 20A(C)14X158 | 14 | 19,95 | 46,55 | 250 | 3500 | 47,5 | 100,6 | | 20 | | | | |
| 20A(C)15X158 | 15 | 21,60 | 36,00 | 250 | 2500 | 47,5 | 102,1 | | | | | | |
| 20A(C)16X158 | 16 | 23,04 | 38,40 | 250 | 2500 | 47,5 | 103,8 | | | | | | |
| 20A(C)19X158 | 19 | 27,36 | 45,60 | 200 | 2500 | 47,5 | 108,7 | | 20 | | | | |
| 20A(C)22X158 | 22 | 31,68 | 42,24 | 180 | 2000 | 55 | 113,7 | | | | | | |
| 20A(C)25X158 | 25 | 36,00 | 48,00 | 160 | 2000 | 57,2 | 118,5 | | | | | | |



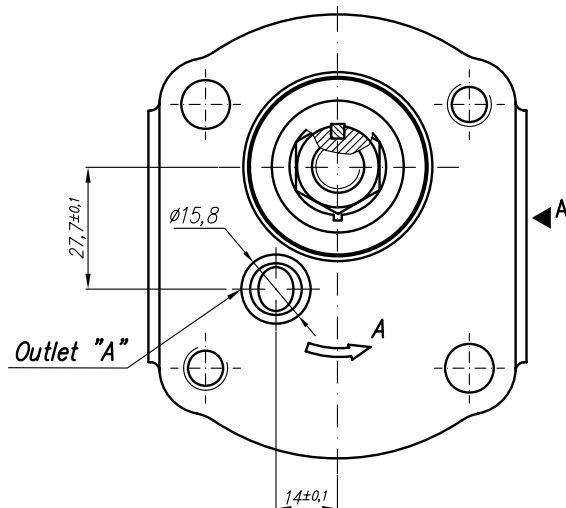
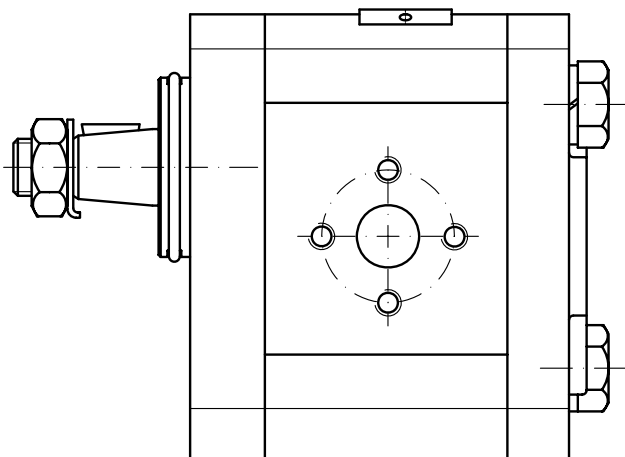
| Type | Displacement cm ³ /rev | Flow | | Pressure P _{nom} bar | max Speed n rpm | Dimension | | | | | | | |
|---------------|--------------------------------------|----------------------|---------------------|-------------------------------------|-----------------------|-----------|---------|-------|----|-------|--------|----|-------|
| | | at 1500 rpm l/min | at max rpm l/min | | | A mm | B mm | Inlet | | | Outlet | | |
| | | | | | | | | E | F | d | E | F | d |
| 20A(C)4,5X161 | 4,5 | 6,14 | 14,33 | 250 | 3500 | 39,8 | 78 | 40 | 15 | M6-6H | 35 | 15 | M6-6H |
| 20A(C)6,3X161 | 6,3 | 8,69 | 20,29 | 250 | 3500 | 41 | 81 | | | | | | |
| 20A(C)8,2X161 | 8,2 | 11,32 | 26,40 | 250 | 3500 | 43,1 | 83,9 | | | | | | |
| 20A(C)10X161 | 10 | 13,95 | 32,55 | 250 | 3500 | 47,5 | 87 | | | | | | |
| 20A(C)11X161 | 11,3 | 15,76 | 36,78 | 250 | 3500 | 47,5 | 89,1 | | | | | | |
| 20A(C)12X161 | 12 | 16,92 | 39,48 | 250 | 3500 | 47,5 | 90,3 | | | | | | |
| 20A(C)14X161 | 14 | 19,95 | 46,55 | 250 | 3500 | 47,5 | 93,4 | | | | | | |
| 20A(C)15X161 | 15 | 21,60 | 36,00 | 250 | 2500 | 47,5 | 94,9 | | | | | | |
| 20A(C)16X161 | 16 | 23,04 | 38,40 | 250 | 2500 | 47,5 | 96,5 | | | | | | |
| 20A(C)19X161 | 19 | 27,36 | 45,60 | 200 | 2500 | 47,5 | 101,5 | | | | | | |
| 20A(C)22X161 | 22 | 31,68 | 42,24 | 180 | 2000 | 55 | 106,5 | | | | | | |
| 20A(C)25X161 | 25 | 36,00 | 48,00 | 160 | 2000 | 57,2 | 111,4 | | | | | | |



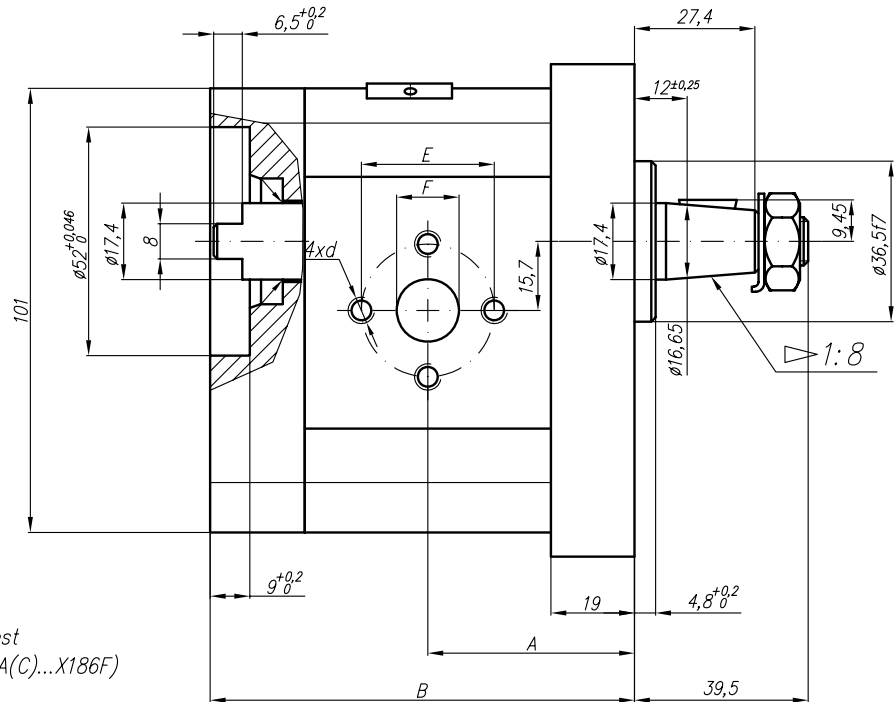
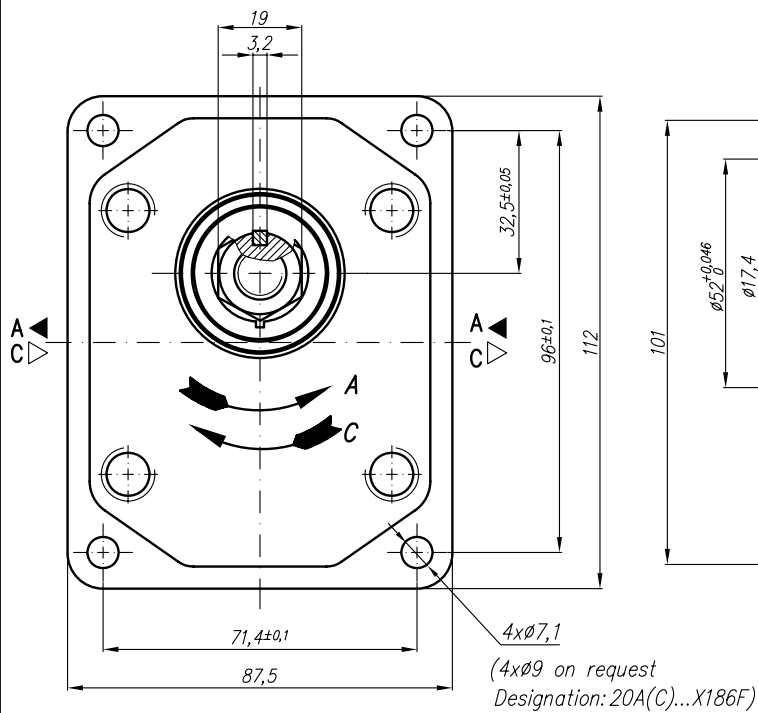
| Type | Displacement cm ³ /rev | Flow | | Pressure P _{nom} bar | max Speed n rpm | Dimension | | | | | | | |
|---------------|--------------------------------------|----------------------|---------------------|-------------------------------------|-----------------------|-----------|---------|-------|------|-------|--------|------|-------|
| | | at 1500 rpm l/min | at max rpm l/min | | | A mm | B mm | Inlet | | | Outlet | | |
| | | | | | | | | E | F | d | E | F | d |
| 20A(C)4,5X168 | 4,5 | 6,14 | 14,33 | 250 | 3500 | 42,5 | 89,7 | 30,2 | 13,1 | M6-6H | 30,2 | 13,1 | |
| 20A(C)6,3X168 | 6,3 | 8,69 | 20,29 | 250 | 3500 | 44 | 92,7 | | | | | | |
| 20A(C)8,2X168 | 8,2 | 11,32 | 26,40 | 250 | 3500 | 45,5 | 95,6 | 39,7 | 19 | M8-6H | 30,2 | 14,2 | M6-6H |
| 20A(C)10X168 | 10 | 13,95 | 32,55 | 250 | 3500 | 47 | 98,7 | | | | | | |
| 20A(C)11X168 | 11,3 | 15,76 | 36,78 | 250 | 3500 | 48 | 100,7 | 39,7 | 19 | M8-6H | 30,2 | 14,2 | M6-6H |
| 20A(C)12X168 | 12 | 16,92 | 39,48 | 250 | 3500 | 48,6 | 102 | | | | | | |
| 20A(C)14X168 | 14 | 19,95 | 46,55 | 250 | 3500 | 50 | 105,1 | 39,7 | 19 | M8-6H | 30,2 | 14,2 | M6-6H |
| 20A(C)15X168 | 15 | 21,60 | 36,00 | 250 | 2500 | 51 | 106,6 | | | | | | |
| 20A(C)16X168 | 16 | 23,04 | 38,40 | 250 | 2500 | 52 | 108,3 | 39,7 | 19 | M8-6H | 30,2 | 14,2 | M6-6H |
| 20A(C)19X168 | 19 | 27,36 | 45,60 | 200 | 2500 | 54 | 113,2 | | | | | | |
| 20A(C)22X168 | 22 | 31,68 | 42,24 | 180 | 2000 | 57 | 118,2 | 39,7 | 19 | M8-6H | 30,2 | 14,2 | M6-6H |
| 20A(C)25X168 | 25 | 36,00 | 48,00 | 160 | 2000 | 59,2 | 123,1 | | | | | | |



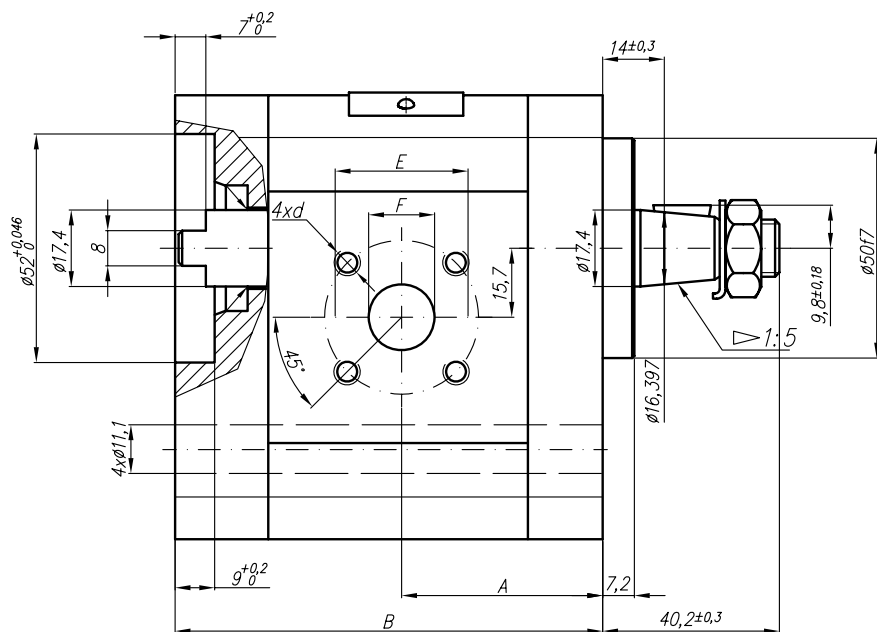
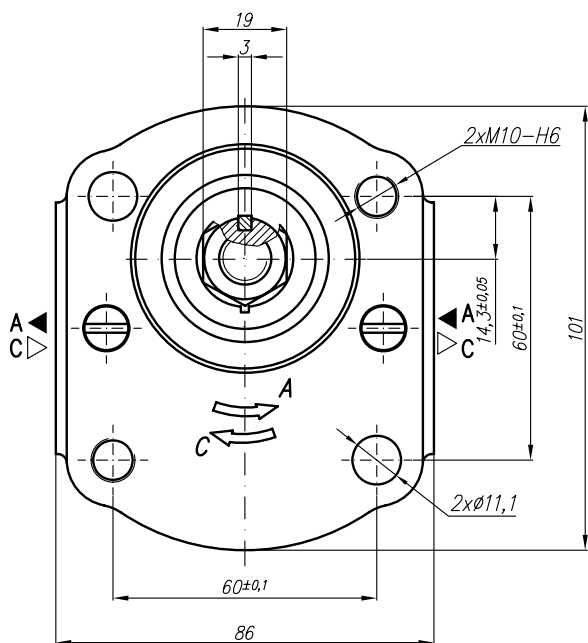
Rotation "A"



| Type | Displacement cm ³ /rev | Flow | | Pressure P _{nom} bar | max Speed n rpm | Dimension | | | | | | |
|---------------|--------------------------------------|----------------------|---------------------|-------------------------------------|-----------------------|-----------|---------|-------|------|-------|--------|--|
| | | at 1500 rpm l/min | at max rpm l/min | | | A mm | B mm | Inlet | | | Outlet | |
| | | | | | | | | E | F | d | | |
| 20A(C)4,5X170 | 4,5 | 6,14 | 14,33 | 250 | 3500 | 40,5 | 78 | 30,2 | 13,1 | M6-6H | Ø15,8 | |
| 20A(C)6,3X170 | 6,3 | 8,69 | 20,29 | 250 | 3500 | 42 | 81 | | | | | |
| 20A(C)8,2X170 | 8,2 | 11,32 | 26,40 | 250 | 3500 | 43,5 | 83,9 | | | | | |
| 20A(C)10X170 | 10 | 13,95 | 32,55 | 250 | 3500 | 45 | 87 | | | | | |
| 20A(C)11X170 | 11,3 | 15,76 | 36,78 | 250 | 3500 | 46 | 89,1 | | | | | |
| 20A(C)12X170 | 12 | 16,92 | 39,48 | 250 | 3500 | 46,6 | 90,3 | 39,7 | 19 | M8-6H | | |
| 20A(C)14X170 | 14 | 19,95 | 46,55 | 250 | 3500 | 48 | 93,4 | | | | | |
| 20A(C)15X170 | 15 | 21,60 | 36,00 | 250 | 2500 | 49 | 94,9 | | | | | |
| 20A(C)16X170 | 16 | 23,04 | 38,40 | 250 | 2500 | 50 | 96,6 | | | | | |
| 20A(C)19X170 | 19 | 27,36 | 45,60 | 200 | 2500 | 52 | 101,5 | | | | | |
| 20A(C)22X170 | 22 | 31,68 | 42,24 | 180 | 2000 | 55 | 106,5 | | | | | |
| 20A(C)25X170 | 25 | 36,00 | 48,00 | 160 | 2000 | 57,2 | 111,4 | | | | | |

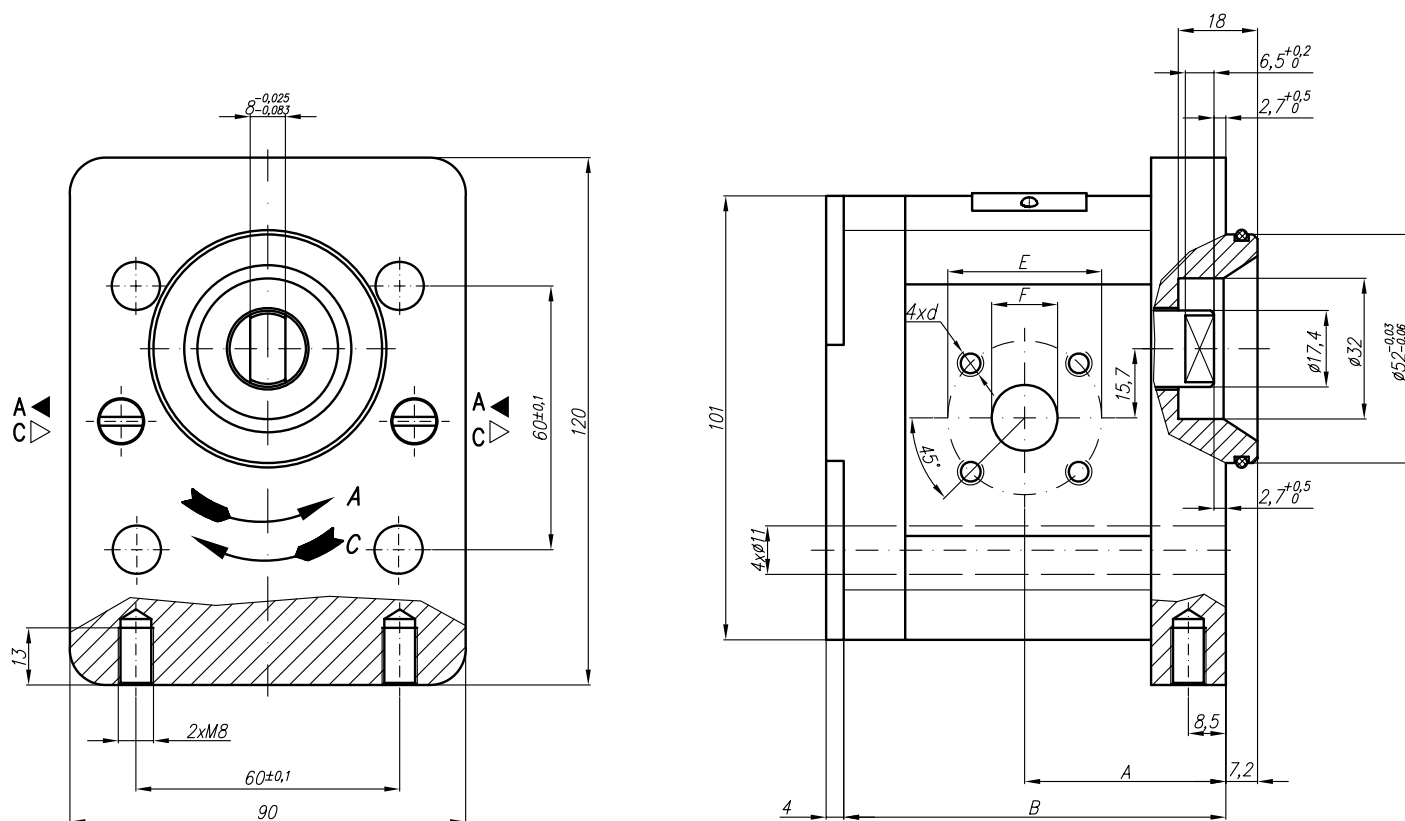


| Type | Displacement cm ³ /rev | Flow | | Pressure P _{nom} bar | max Speed n rpm | Dimension | | | | | | | |
|---------------|--------------------------------------|----------------------|---------------------|-------------------------------------|-----------------------|-----------|---------|-------|------|-------|--------|------|-------|
| | | at 1500 rpm l/min | at max rpm l/min | | | A mm | B mm | Inlet | | | Outlet | | |
| | | | | | | | | E | F | d | E | F | d |
| 20A(C)4,5X186 | 4,5 | 6,14 | 14,33 | 200 | 3500 | 42,5 | 87,2 | 30,2 | 13,1 | M6-6H | 30,2 | 13,1 | |
| 20A(C)6,3X186 | 6,3 | 8,69 | 20,29 | 200 | 3500 | 42,5 | 87,2 | | | | | | |
| 20A(C)8,2X186 | 8,2 | 11,32 | 26,40 | 200 | 3500 | 42,5 | 87,2 | | | | | | |
| 20A(C)10X186 | 10 | 13,95 | 32,55 | 200 | 3500 | 47 | 96,2 | | | | | | |
| 20A(C)11X186 | 11,3 | 15,76 | 36,78 | 200 | 3500 | 48 | 98,2 | 39,7 | 19 | M8-6H | 30,2 | 14,2 | M6-6H |
| 20A(C)12X186 | 12 | 16,92 | 39,48 | 200 | 3500 | 48,6 | 99,5 | | | | | | |
| 20A(C)14X186 | 14 | 19,95 | 46,55 | 200 | 3500 | 50 | 102,6 | | | | | | |
| 20A(C)15X186 | 15 | 21,60 | 36,00 | 200 | 2500 | 51 | 104,1 | | | | | | |
| 20A(C)16X186 | 16 | 23,04 | 38,40 | 200 | 2500 | 52 | 105,8 | 39,7 | 19 | M8 | 39,7 | 19 | M8 |
| 20A(C)19X186 | 19 | 27,36 | 45,60 | 200 | 2500 | 54 | 110,7 | | | | | | |
| 20A(C)22X186 | 22 | 31,68 | 42,24 | 180 | 2000 | 57 | 115,7 | | | | | | |
| 20A(C)25X186 | 25 | 36,00 | 48,00 | 160 | 2000 | 59,2 | 120,6 | | | | | | |

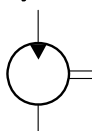


| Type | Displacement cm ³ /rev | Flow | | Pressure P _{nom} bar | max Speed n rpm | Dimension | | | | | | | |
|---------------|--------------------------------------|----------------------|---------------------|-------------------------------------|-----------------------|-----------|---------|-------|----|-------|--------|----|-------|
| | | at 1500 rpm l/min | at max rpm l/min | | | A mm | B mm | Inlet | | | Outlet | | |
| | | | | | | | | E | F | d | E | F | d |
| 20A(C)4,5X187 | 4,5 | 6,14 | 14,33 | 250 | 3500 | 37,3 | 82,3 | 40 | 15 | M6-6H | 35 | 15 | M6-6H |
| 20A(C)6,3X187 | 6,3 | 8,69 | 20,29 | 250 | 3500 | 38,6 | 85,2 | | | | | | |
| 20A(C)8,2X187 | 8,2 | 11,32 | 26,40 | 250 | 3500 | 40,6 | 85,2 | | | | | | |
| 20A(C)10X187 | 10 | 13,95 | 32,55 | 250 | 3500 | 45 | 94,1 | | | | | | |
| 20A(C)11X187 | 11,3 | 15,76 | 36,78 | 250 | 3500 | 45 | 96,2 | | | | | | |
| 20A(C)12X187 | 12 | 16,92 | 39,48 | 250 | 3500 | 45 | 97,5 | | | | | | |
| 20A(C)14X187 | 14 | 19,95 | 46,55 | 250 | 3500 | 45 | 100,6 | | | | | | |
| 20A(C)15X187 | 15 | 21,60 | 36,00 | 250 | 2500 | 45 | 102,1 | | | | | | |
| 20A(C)16X187 | 16 | 23,04 | 38,40 | 250 | 2500 | 45 | 103,8 | | | | | | |
| 20A(C)19X187 | 19 | 27,36 | 45,60 | 200 | 2500 | 45 | 108,7 | | | | | | |
| 20A(C)22X187 | 22 | 31,68 | 42,24 | 180 | 2000 | 52,5 | 113,7 | | | | | | |
| 20A(C)25X187 | 25 | 36,00 | 48,00 | 160 | 2000 | 57,2 | 118,6 | | | | | | |

Designed as a special version motor-pump 22A(C)...X194/...X195.

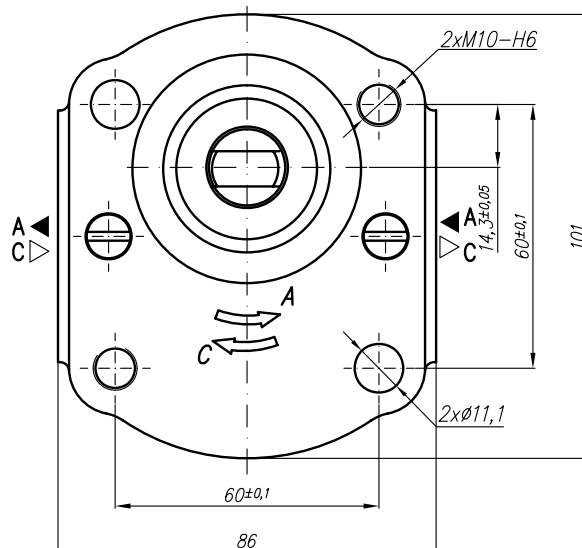
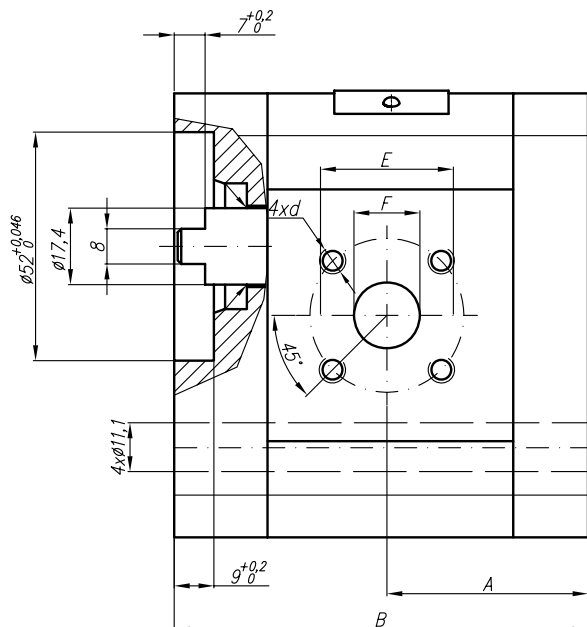


Symbol

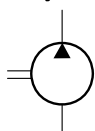


| Type | Displacement cm ³ /rev | Flow | | Pressure P _{nom} bar | max Speed n rpm | Dimension | | | | | | | | |
|---------------|--------------------------------------|----------------------|---------------------|-------------------------------------|-----------------------|-----------|---------|-------|----|-------|--------|----|-------|--|
| | | at 1500 rpm l/min | at max rpm l/min | | | A mm | B mm | Inlet | | | Outlet | | | |
| | | | | | | E | F | d | E | F | d | | | |
| 20A(C)4,5X194 | 4,5 | 6,14 | 14,33 | 250 | 3500 | 37,3 | 78 | 40 | 15 | M6-6H | 35 | 15 | M6-6H | |
| 20A(C)6,3X194 | 6,3 | 8,69 | 20,29 | 250 | 3500 | 38,6 | 81 | | | | | | | |
| 20A(C)8,2X194 | 8,2 | 11,32 | 26,40 | 250 | 3500 | 40,6 | 83,9 | | | | | | | |
| 20A(C)10X194 | 10 | 13,95 | 32,55 | 250 | 3500 | 45 | 87 | | | | | | | |
| 20A(C)11X194 | 11,3 | 15,76 | 36,78 | 250 | 3500 | 45 | 89,1 | | | | | | | |
| 20A(C)12X194 | 12 | 16,92 | 39,48 | 250 | 3500 | 45 | 90,3 | | | | | | | |
| 20A(C)14X194 | 14 | 19,95 | 46,55 | 250 | 3500 | 45 | 93,4 | | | | | | | |
| 20A(C)15X194 | 15 | 21,60 | 36,00 | 250 | 2500 | 45 | 94,9 | | | | | | | |
| 20A(C)16X194 | 16 | 23,04 | 38,40 | 250 | 2500 | 45 | 96,5 | | | | | | | |
| 20A(C)19X194 | 19 | 27,36 | 45,60 | 200 | 2500 | 45 | 101,5 | | | | | | | |
| 20A(C)22X194 | 22 | 31,68 | 42,24 | 180 | 2000 | 52,5 | 106,5 | | | | | | | |
| 20A(C)25X194 | 25 | 36,00 | 48,00 | 160 | 2000 | 54,7 | 111,4 | | | | | | | |

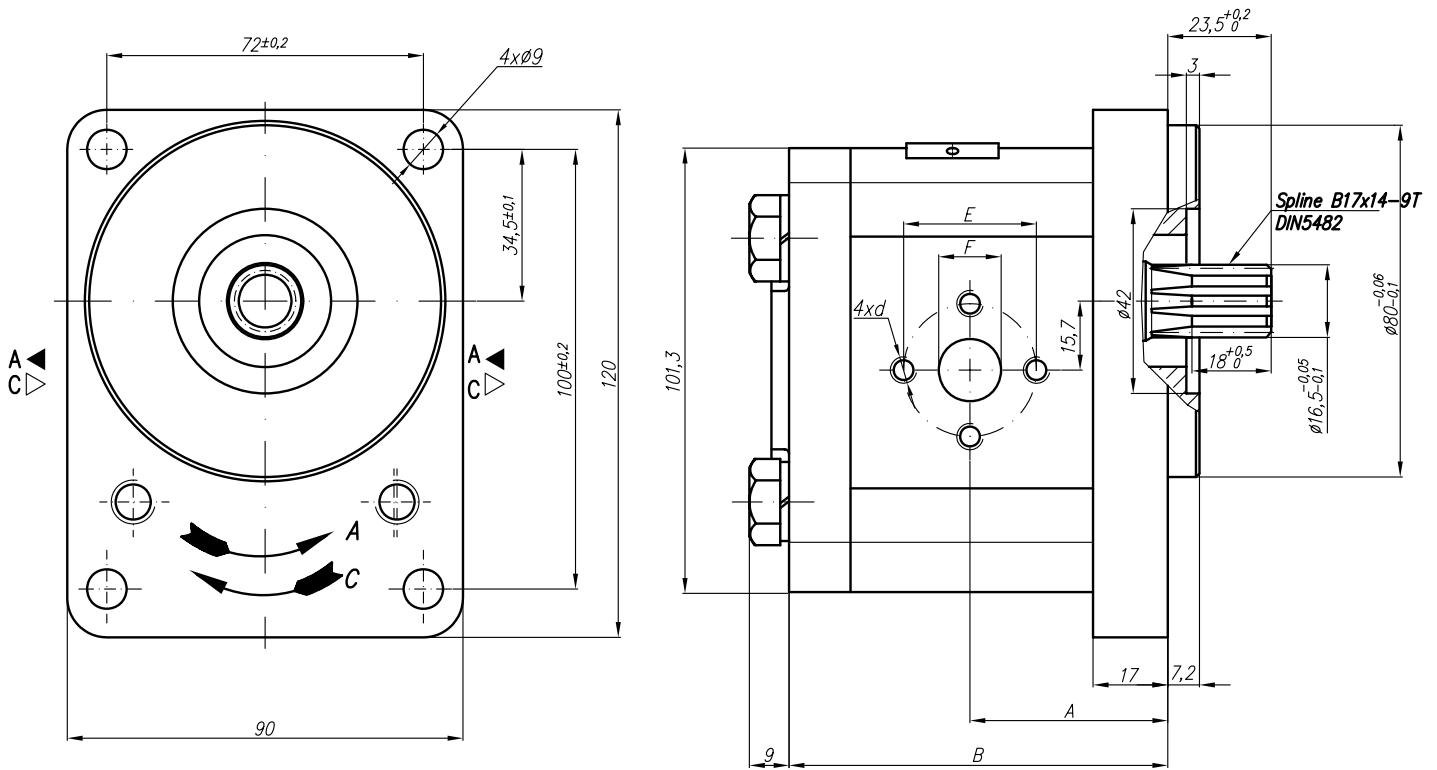
Designed as a special version motor-pump 22A(C)...X194/...X195.



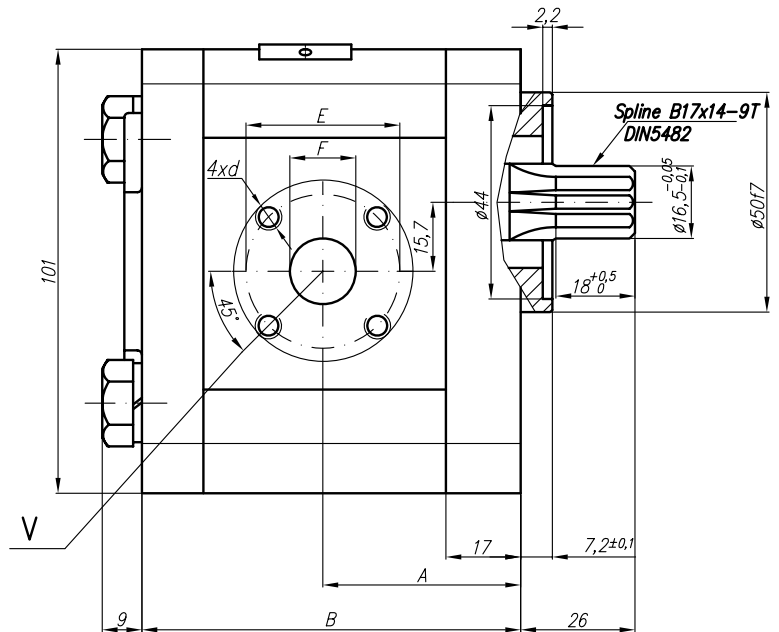
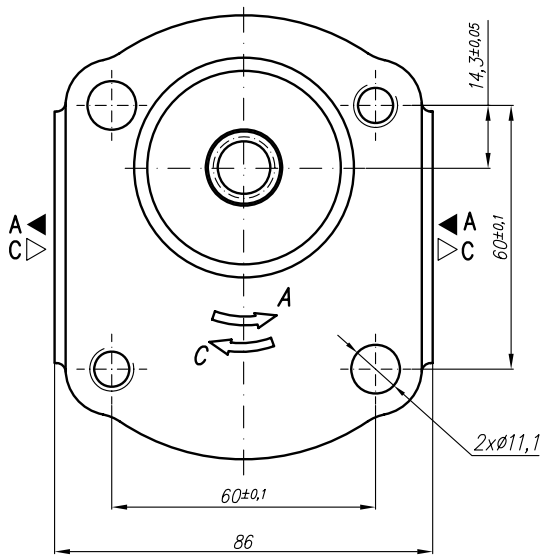
Symbol



| Type | Displacement cm ³ /rev | Flow | | Pressure P _{nom} bar | max Speed n rpm | Dimension | | | | | | | | |
|---------------|--------------------------------------|----------------------|---------------------|-------------------------------------|-----------------------|-----------|---------|-------|----|-------|--------|----|-------|--|
| | | at 1500 rpm l/min | at max rpm l/min | | | A mm | B mm | Inlet | | | Outlet | | | |
| | | | | | | E | F | d | E | F | d | | | |
| 20A(C)4,5X195 | 4,5 | 6,14 | 14,33 | 250 | 3500 | 37,3 | 85,2 | 40 | 20 | M6-6H | 35 | 15 | M6-6H | |
| 20A(C)6,3X195 | 6,3 | 8,69 | 20,29 | 250 | 3500 | 38,6 | 88,2 | | | | | | | |
| 20A(C)8,2X195 | 8,2 | 11,32 | 26,40 | 250 | 3500 | 40,6 | 91,1 | | | | | | | |
| 20A(C)10X195 | 10 | 13,95 | 32,55 | 250 | 3500 | 45 | 94,1 | | | | | | | |
| 20A(C)11X195 | 11,3 | 15,76 | 36,78 | 250 | 3500 | 45 | 96,2 | | | | | | | |
| 20A(C)12X195 | 12 | 16,92 | 39,48 | 250 | 3500 | 45 | 97,5 | | | | | | | |
| 20A(C)14X195 | 14 | 19,95 | 46,55 | 250 | 3500 | 45 | 100,6 | | | | | | | |
| 20A(C)15X195 | 15 | 21,60 | 36,00 | 250 | 2500 | 45 | 102,1 | | | | | | | |
| 20A(C)16X195 | 16 | 23,04 | 38,40 | 250 | 2500 | 45 | 103,8 | | | | | | | |
| 20A(C)19X195 | 19 | 27,36 | 45,60 | 200 | 2500 | 45 | 108,7 | | | | | | | |
| 20A(C)22X195 | 22 | 31,68 | 42,24 | 180 | 2000 | 52,5 | 113,7 | | | | | | | |
| 20A(C)25X195 | 25 | 36,00 | 48,00 | 160 | 2000 | 54,7 | 118,5 | | | | | | | |



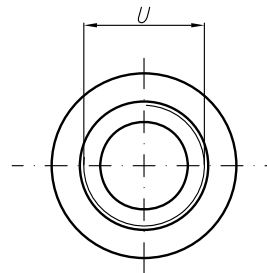
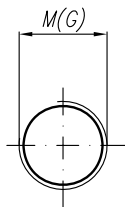
| Type | Displacement cm ³ /rev | Flow | | Pressure P _{nom} bar | max Speed n rpm | Dimension | | | | | | | |
|---------------|--------------------------------------|----------------------|---------------------|-------------------------------------|-----------------------|-----------|---------|---------|---------|---------|---------|---------|---------|
| | | at 1500 rpm l/min | at max rpm l/min | | | Inlet | | | Outlet | | | | |
| | | | | | | A mm | B mm | E mm | F mm | d mm | E mm | F mm | d mm |
| 20A(C)4,5X196 | 4,5 | 6,14 | 14,33 | 250 | 3500 | 39,8 | 78 | 30,2 | 13,1 | M6-6H | 30,2 | 13,1 | M6-6H |
| 20A(C)6,3X196 | 6,3 | 8,69 | 20,29 | 250 | 3500 | 41 | 81 | | | | | | |
| 20A(C)8,2X196 | 8,2 | 11,32 | 26,40 | 250 | 3500 | 43,1 | 83,9 | 39,7 | 19 | M8-6H | 30,2 | 14,2 | M6-6H |
| 20A(C)10X196 | 10 | 13,95 | 32,55 | 250 | 3500 | 47,5 | 87 | | | | | | |
| 20A(C)11X196 | 11,3 | 15,76 | 36,78 | 250 | 3500 | 47,5 | 89,1 | 39,7 | 19 | M8-6H | 30,2 | 14,2 | M6-6H |
| 20A(C)12X196 | 12 | 16,92 | 39,48 | 250 | 3500 | 47,5 | 90,3 | | | | | | |
| 20A(C)14X196 | 14 | 19,95 | 46,55 | 250 | 3500 | 47,5 | 93,4 | 39,7 | 19 | M8-6H | 30,2 | 14,2 | M6-6H |
| 20A(C)15X196 | 15 | 21,60 | 36,00 | 250 | 2500 | 47,5 | 94,9 | | | | | | |
| 20A(C)16X196 | 16 | 23,04 | 38,40 | 250 | 2500 | 47,5 | 96,6 | 39,7 | 19 | M8-6H | 30,2 | 14,2 | M6-6H |
| 20A(C)19X196 | 19 | 27,36 | 45,60 | 200 | 2500 | 47,5 | 101,5 | | | | | | |
| 20A(C)22X196 | 22 | 31,68 | 42,24 | 180 | 2000 | 55 | 106,5 | 39,7 | 19 | M8-6H | 30,2 | 14,2 | M6-6H |
| 20A(C)25X196 | 25 | 36,00 | 48,00 | 160 | 2000 | 57,2 | 111,4 | | | | | | |



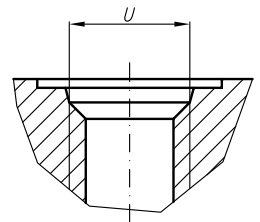
V
Variants for ports – M;G;U

Designations:

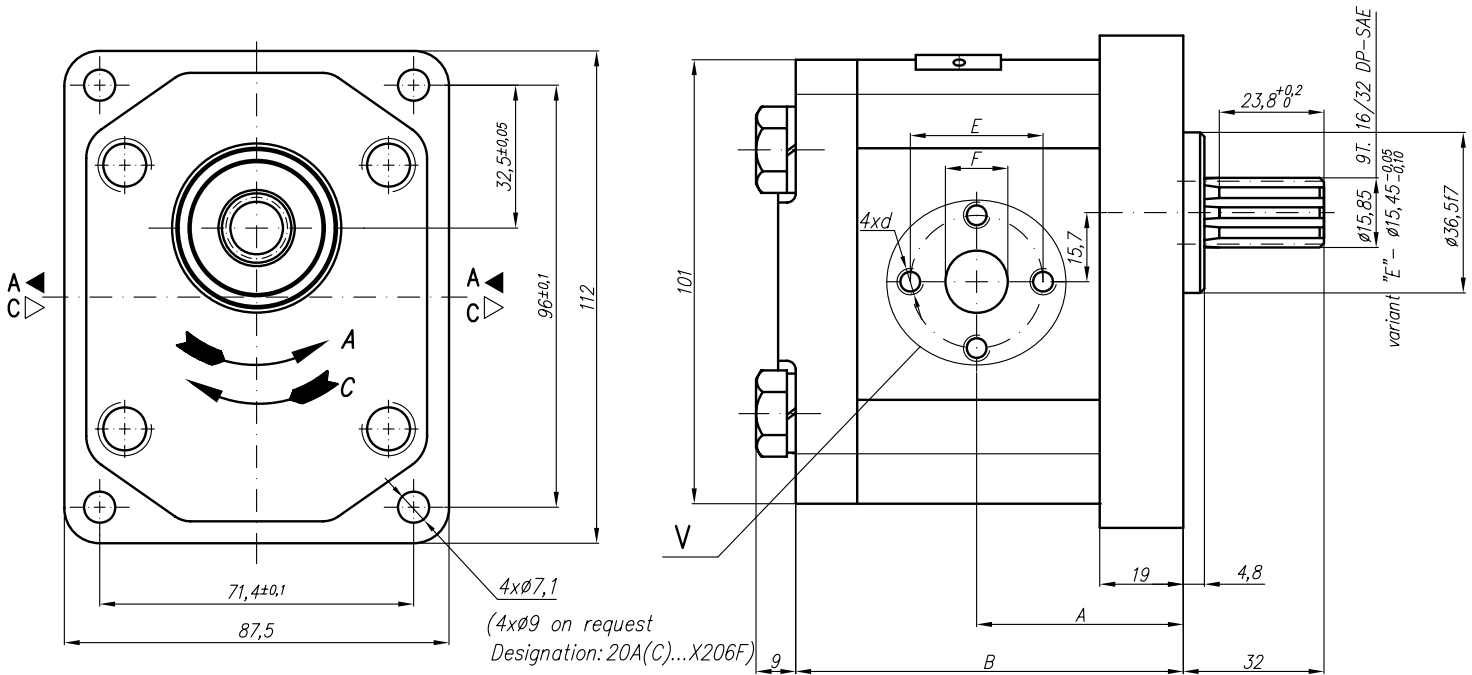
- ...X205 – Normal version (flanges);
- ...X205M – Metric threads;
- ...X205G – GAS threads;
- ...X205U – SAE threads;



SAE J475 (ISO R725)



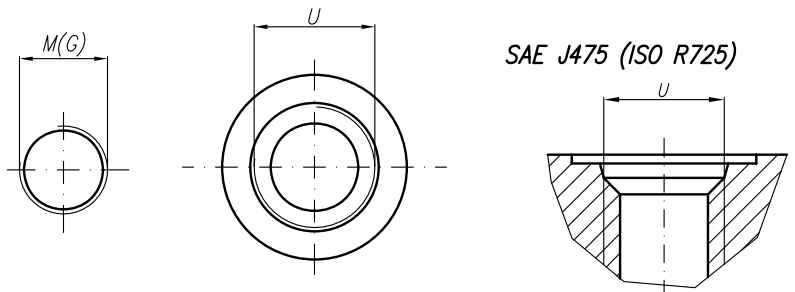
| Type | Displacement cm ³ /rev | Flow | | Pressure P _{nom} bar | max Speed n rpm | Dimension | | | | | | | | | | | | | | |
|------------------|--------------------------------------|----------------------|---------------------|-------------------------------------|-----------------------|-----------|---------|----|----|-------|---------|--------|---|-------------|----|----|-------|---------|------|------------|
| | | at 1500 rpm l/min | at max rpm l/min | | | Inlet | | | | | | Outlet | | | | | | | | |
| | | | | | | A mm | B mm | E | F | d | M | G | U | E | F | d | M | G | U | |
| 20A(C)4,5X205... | 4,5 | 6,14 | 14,33 | 250 | 3500 | 37,3 | 75,1 | 40 | 15 | M6-6H | M20x1,5 | G1/2 | 1 | 1/16"-12UNF | 35 | 15 | M6-6H | M16x1,5 | G1/2 | 7/8"-14UNF |
| 20A(C)6,3X205... | 6,3 | 8,69 | 20,29 | 250 | 3500 | 38,6 | 78 | | | | | | | | | | | | | |
| 20A(C)8,2X205... | 8,2 | 11,32 | 26,40 | 250 | 3500 | 40,6 | 78 | | | | | | | | | | | | | |
| 20A(C)10X205... | 10 | 13,95 | 32,55 | 250 | 3500 | 45 | 87 | | | | | | | | | | | | | |
| 20A(C)11X205... | 11,3 | 15,76 | 36,78 | 250 | 3500 | 45 | 89,1 | | | | | | | | | | | | | |
| 20A(C)12X205... | 12 | 16,92 | 39,48 | 250 | 3500 | 45 | 90,3 | | | | | | | | | | | | | |
| 20A(C)14X205... | 14 | 19,95 | 46,55 | 250 | 3500 | 45 | 93,4 | | | | | | | | | | | | | |
| 20A(C)15X205... | 15 | 21,60 | 36,00 | 250 | 2500 | 45 | 94,9 | | | | | | | | | | | | | |
| 20A(C)16X205... | 16 | 23,04 | 38,40 | 250 | 2500 | 45 | 96,5 | | | | | | | | | | | | | |
| 20A(C)19X205... | 19 | 27,36 | 45,60 | 200 | 2500 | 45 | 101,5 | | | | | | | | | | | | | |
| 20A(C)22X205... | 22 | 31,68 | 42,24 | 180 | 2000 | 52,5 | 106,5 | | | | | | | | | | | | | |
| 20A(C)25X205... | 25 | 36,00 | 48,00 | 160 | 2000 | 57,2 | 111,4 | | | | | | | | | | | | | |



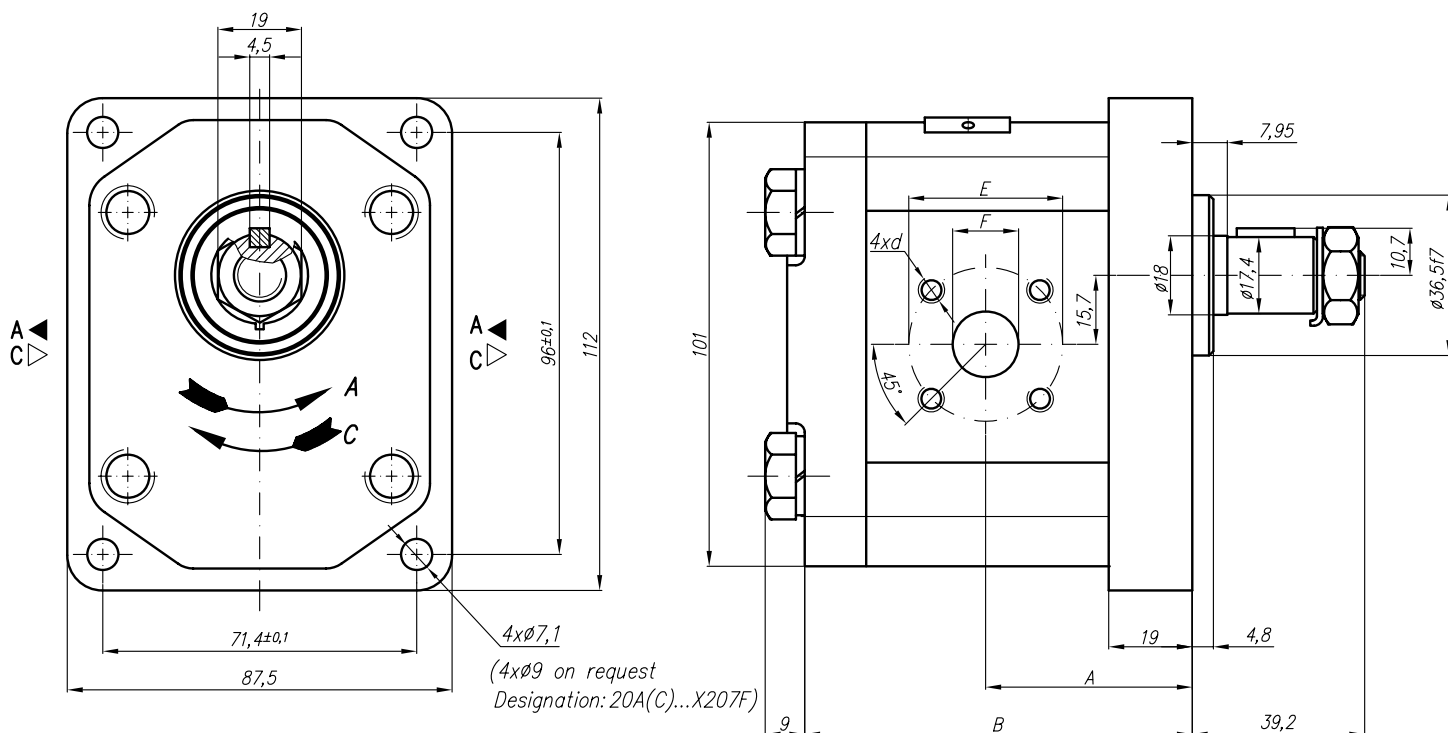
V
Variants for ports – M;G;U

Designations:

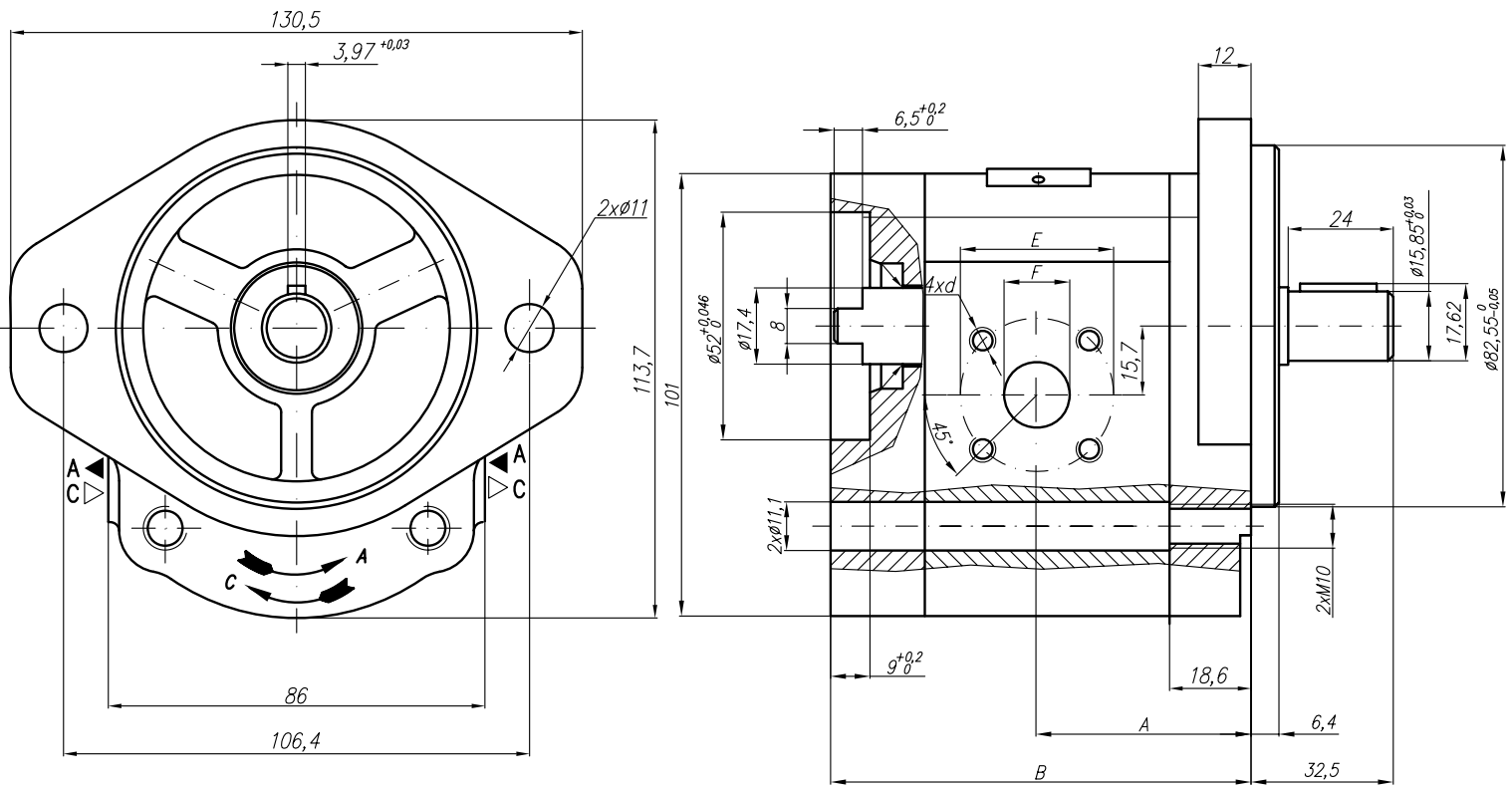
- ...X206 – Normal version (flanges);
- ...X206M – Metric threads;
- ...X206G – GAS threads;
- ...X206U – SAE threads;



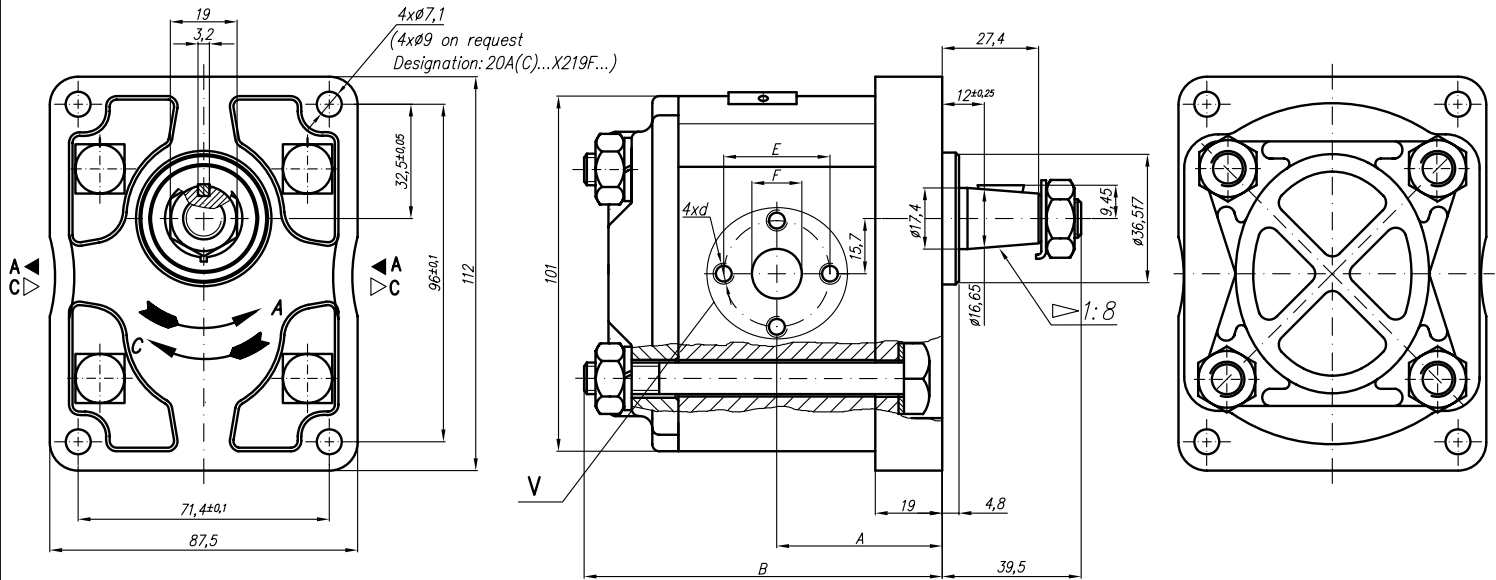
| Type | Displacement cm ³ /rev | Flow | | Pressure P _{nom} bar | max Speed n rpm | Dimension | | | | | | | | | | | |
|------------------|--------------------------------------|----------------------|---------------------|-------------------------------------|-----------------------|-----------|---------|-------|------|-------|------|------|--------|----|---------|------|-------------|
| | | at 1500 rpm l/min | at max rpm l/min | | | A mm | B mm | Inlet | | | | | Outlet | | | | |
| | | | | | | E | F | d | M | G | U | E | F | d | M | G | U |
| 20A(C)4,5X206... | 4,5 | 6,14 | 14,33 | 250 | 3500 | 42,5 | 80 | | | | | | | | | | |
| 20A(C)6,3X206... | 6,3 | 8,69 | 20,29 | 250 | 3500 | 42,5 | 80 | 30,2 | 13,1 | M6-6H | G1/2 | | | | | | |
| 20A(C)8,2X206... | 8,2 | 11,32 | 26,40 | 250 | 3500 | 42,5 | 80 | | | | | | | | | | |
| 20A(C)10X206... | 10 | 13,95 | 32,55 | 250 | 3500 | 47 | 89 | | | | | | | | | | |
| 20A(C)11X206... | 11,3 | 15,76 | 36,78 | 250 | 3500 | 48 | 91,1 | | | | | | | | | | |
| 20A(C)12X206... | 12 | 16,92 | 39,48 | 250 | 3500 | 48,6 | 92,3 | | | | | | | | | | |
| 20A(C)14X206... | 14 | 19,95 | 46,55 | 250 | 3500 | 50 | 95,4 | | | | | | | | | | |
| 20A(C)15X206... | 15 | 21,60 | 36,00 | 250 | 2500 | 51 | 96,9 | 39,7 | 19 | M8-6H | G3/4 | | | | | | |
| 20A(C)16X206... | 16 | 23,04 | 38,40 | 250 | 2500 | 52 | 98,6 | | | | | | | | | | |
| 20A(C)19X206... | 19 | 27,36 | 45,60 | 200 | 2500 | 54 | 103,5 | | | | | | | | | | |
| 20A(C)22X206... | 22 | 31,68 | 42,24 | 180 | 2000 | 57 | 108,5 | | | | | | | | | | |
| 20A(C)25X206... | 25 | 36,00 | 48,00 | 160 | 2000 | 59,2 | 113,4 | | | | | | | | | | |
| | | | | | | | | | | | | 39,7 | 19 | M8 | M20x1,5 | G1/2 | 7/8" -14UNF |



| Type | Displacement cm ³ /rev | Flow | | Pressure P _{nom} bar | max Speed n rpm | Dimension | | | | | | | | |
|---------------|--------------------------------------|----------------------|---------------------|-------------------------------------|-----------------------|-----------|---------|-------|------|-----------|--------|------|----|-------|
| | | at 1500 rpm l/min | at max rpm l/min | | | A mm | B mm | Inlet | | | Outlet | | | |
| | | | | | | E | F | d | E | F | d | | | |
| 20A(C)4,5X207 | 4,5 | 6,14 | 14,33 | 250 | 3500 | 42,5 | 80 | | | | | | | |
| 20A(C)6,3X207 | 6,3 | 8,69 | 20,29 | 250 | 3500 | 42,5 | 80 | 30,2 | 13,1 | 1/4-20UNC | | 13,1 | | |
| 20A(C)8,2X207 | 8,2 | 11,32 | 26,40 | 250 | 3500 | 42,5 | 80 | | | | | | | |
| 20A(C)10X207 | 10 | 13,95 | 32,55 | 250 | 3500 | 47 | 89 | | | | | | | |
| 20A(C)11X207 | 11,3 | 15,76 | 36,78 | 250 | 3500 | 48 | 91,1 | | | | | | | |
| 20A(C)12X207 | 12 | 16,92 | 39,48 | 250 | 3500 | 48,6 | 92,3 | | | | | | | |
| 20A(C)14X207 | 14 | 19,95 | 46,55 | 250 | 3500 | 50 | 95,4 | | | | | | | |
| 20A(C)15X207 | 15 | 21,60 | 36,00 | 250 | 2500 | 51 | 96,9 | 39,7 | | | | | | |
| 20A(C)16X207 | 16 | 23,04 | 38,40 | 250 | 2500 | 52 | 98,6 | | 19 | | | | | |
| 20A(C)19X207 | 19 | 27,36 | 45,60 | 200 | 2500 | 54 | 103,5 | | | | | | | |
| 20A(C)22X207 | 22 | 31,68 | 42,24 | 180 | 2000 | 57 | 108,5 | | | | | | | |
| 20A(C)25X207 | 25 | 36,00 | 48,00 | 160 | 2000 | 59,2 | 113,4 | | | | | 39,7 | 19 | 5/16" |



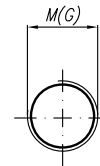
| Type | Displacement cm ³ /rev | Flow | | Pressure P _{nom} bar | max Speed n rpm | Dimension | | | | | | | |
|---------------|--------------------------------------|----------------------|---------------------|-------------------------------------|-----------------------|-----------|---------|-------|----|-------|--------|----|-------|
| | | at 1500 rpm l/min | at max rpm l/min | | | A mm | B mm | Inlet | | | Outlet | | |
| | | | | | | | | E | F | d | E | F | d |
| 20A(C)4,5X210 | 4,5 | 6,14 | 14,33 | 250 | 3500 | 41,4 | 86,8 | 40 | 15 | M6-6H | 35 | 15 | M6-6H |
| 20A(C)6,3X210 | 6,3 | 8,69 | 20,29 | 250 | 3500 | 42,6 | 89,8 | | | | | | |
| 20A(C)8,2X210 | 8,2 | 11,32 | 26,40 | 250 | 3500 | 44,7 | 92,7 | | | | | | |
| 20A(C)10X210 | 10 | 13,95 | 32,55 | 250 | 3500 | 49,1 | 95,7 | | | | | | |
| 20A(C)11X210 | 11,3 | 15,76 | 36,78 | 250 | 3500 | 49,1 | 97,8 | | | | | | |
| 20A(C)12X210 | 12 | 16,92 | 39,48 | 250 | 3500 | 49,1 | 99,1 | | | | | | |
| 20A(C)14X210 | 14 | 19,95 | 46,55 | 250 | 3500 | 49,1 | 102,2 | | | | | | |
| 20A(C)15X210 | 15 | 21,60 | 36,00 | 250 | 2500 | 49,1 | 103,7 | | | | | | |
| 20A(C)16X210 | 16 | 23,04 | 38,40 | 250 | 2500 | 49,1 | 105,3 | | | | | | |
| 20A(C)19X210 | 19 | 27,36 | 45,60 | 200 | 2500 | 49,1 | 110,3 | | | | | | |
| 20A(C)22X210 | 22 | 31,68 | 42,24 | 180 | 2000 | 56,6 | 115,3 | | | | | | |
| 20A(C)25X210 | 25 | 36,00 | 48,00 | 160 | 2000 | 58,8 | 120,2 | | | | | | |



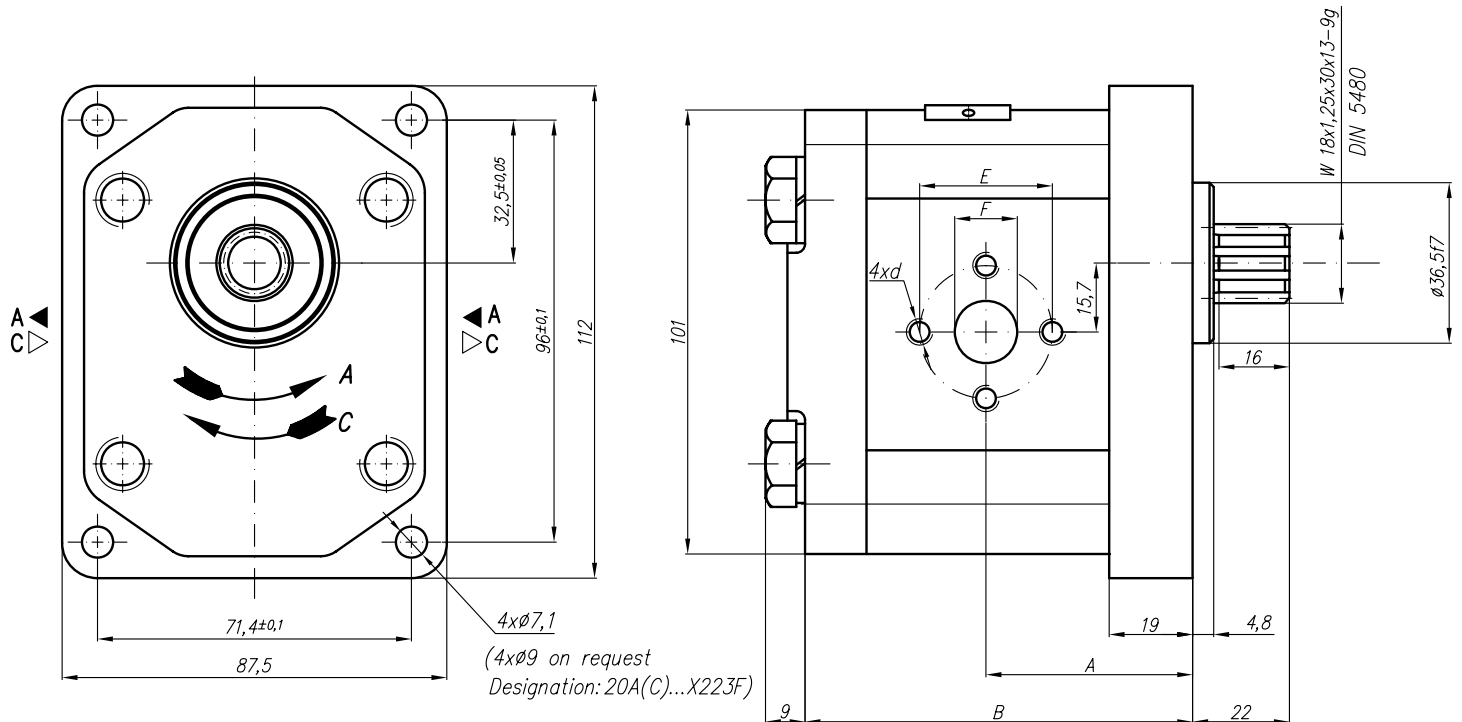
Designation:

- 20A(C)...X219P4 – flange ports with UNC threads;
- 20A(C)...X219P4M – flange ports with Metric threads;
- 20A(C)...X219M – ports with Metric threads;
- 20A(C)...X219G – ports with GAS threads;

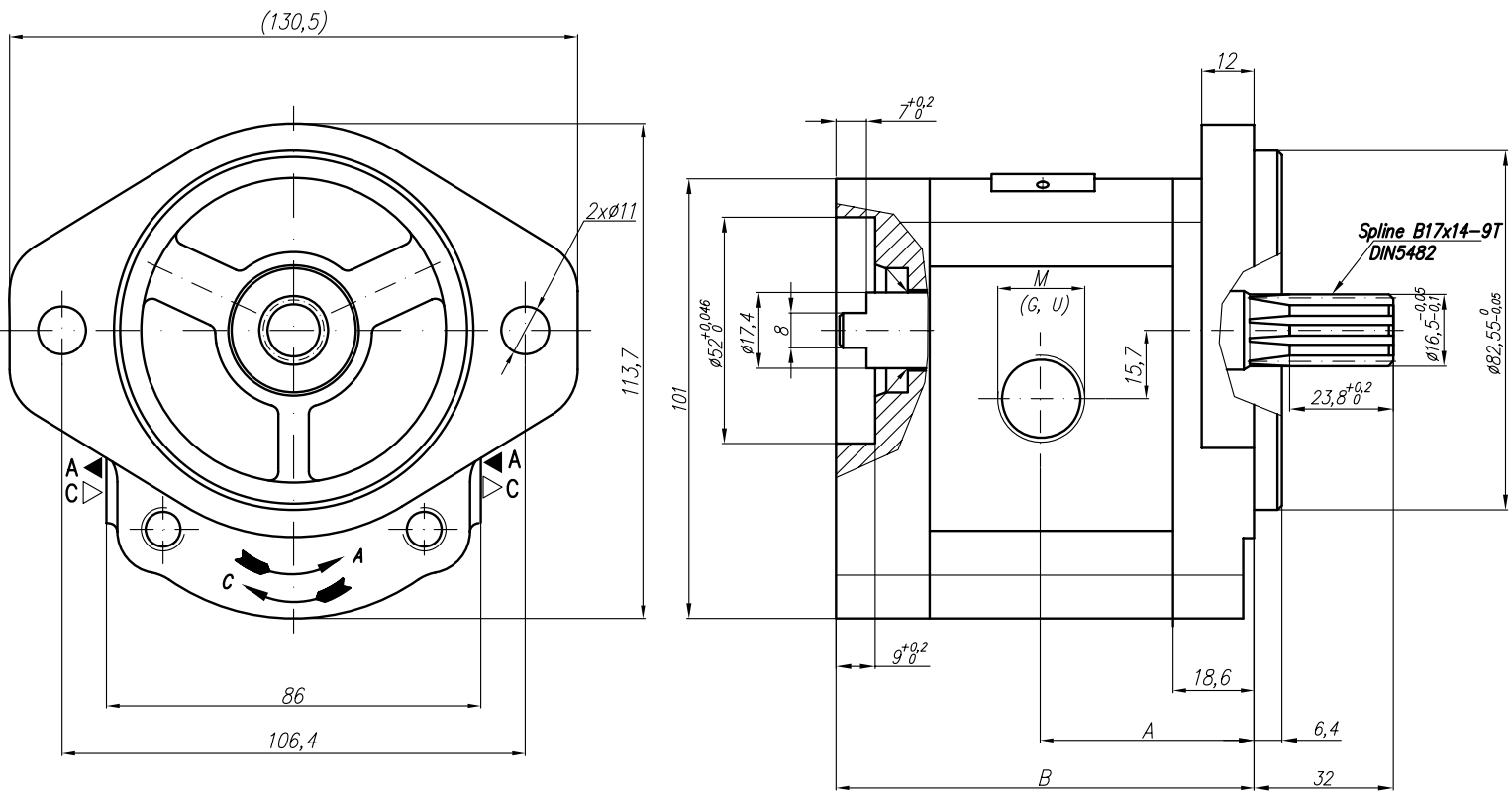
V
Variants for ports – M;G
for port sizes see table on pump 20A(C)...X016...



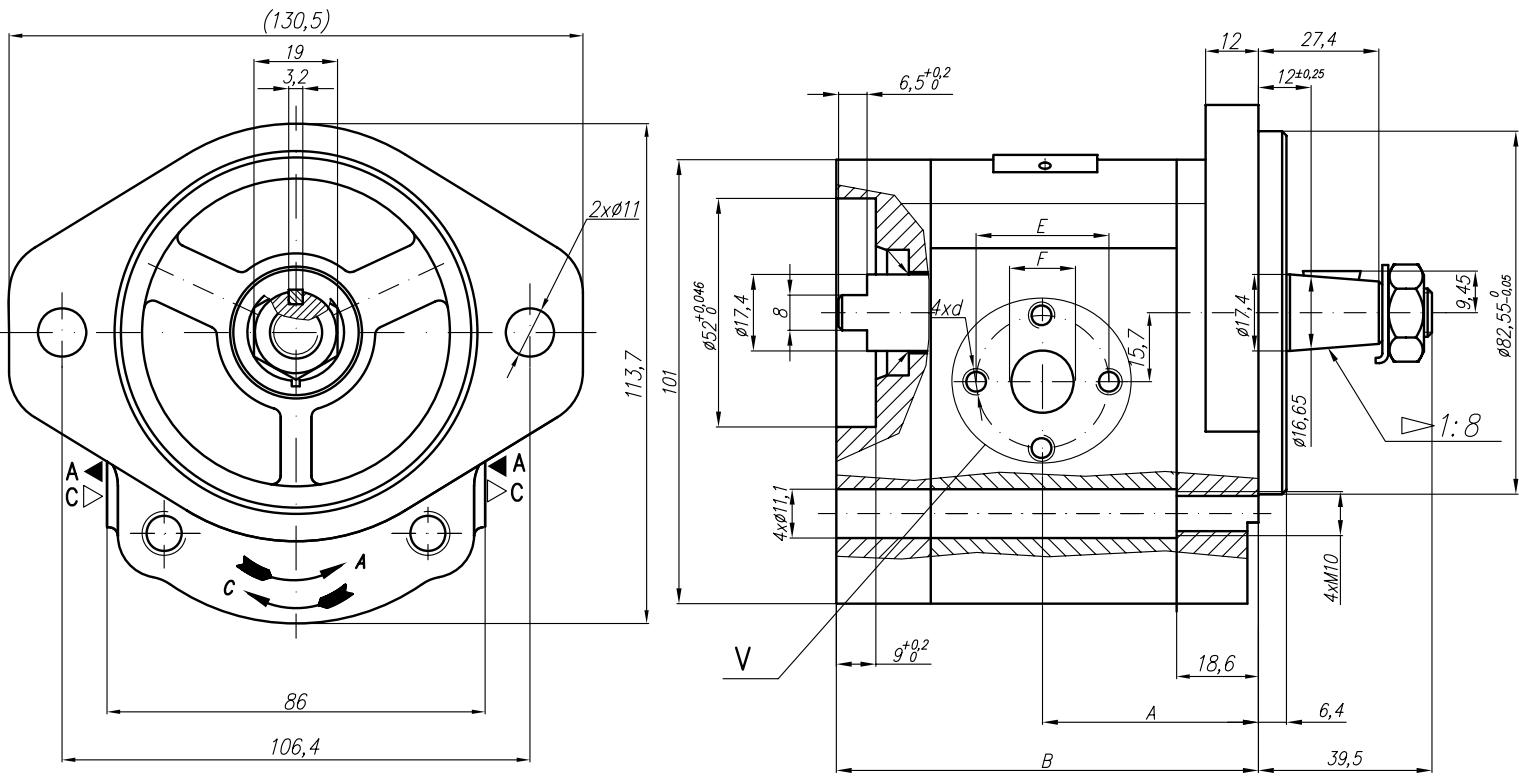
| Type | | Displacement | Flow | | Pressure P _{nom} | max Speed n | Dimension | | | | | | | | | | |
|-------------------|----------------|----------------------|--------------|--------------|------------------------------|----------------|-------------|--------------|-------|------|-------------|-------|--------|------|------------|-------|--|
| | | | at 1500 rpm | at max rpm | | | A | B | Inlet | | | | Outlet | | | | |
| "Caproni" | "Plessey" | cm ³ /rev | l/min | l/min | bar | rpm | mm | mm | E | F | d | d | E | F | d | d | |
| 20A(C)4,5X219... | A(C)10XP4...S | 4,5 | 6,14 | 14,33 | 175 | 3500 | 42,5 | 92,8 | | | | | | | | | |
| 20A(C)6,3X219... | A(C)14XP4...S | 6,3 | 8,69 | 20,29 | 175 | 3500 | 42,5 | 92,8 | 30,2 | 13,1 | 1/4"-20UNC | M6-6H | | 13,1 | | | |
| 20A(C)8,2X219... | A(C)18XP4...S | 8,2 | 11,32 | 26,40 | 175 | 3500 | 42,5 | 92,8 | | | | | | | | | |
| 20A(C)10X219... | A(C)22XP4...S | 10 | 13,95 | 32,55 | 175 | 3500 | 47 | 101,8 | | | | | | | | | |
| 20A(C)11X219... | A(C)25XP4...S | 11,3 | 15,76 | 36,78 | 175 | 3500 | 48 | 103,9 | | | | | | | | | |
| 20A(C)12X219... | A(C)26XP4...S | 12 | 16,92 | 39,48 | 175 | 3500 | 48,6 | 105,1 | | | | | | | | | |
| 20A(C)14X219... | A(C)31XP4...S | 14 | 19,95 | 46,55 | 175 | 3500 | 50 | 108,2 | | | | | | | | | |
| 20A(C)15X219... | A(C)33XP4...S | 15 | 21,60 | 36,00 | 175 | 2500 | 51 | 109,7 | | | | | | | | | |
| 20A(C)15X219SS... | A(C)35XP4...SS | 15 | 21,60 | 36,00 | 175 | 2500 | 48 | 103,8 | | | | | | | | | |
| 20A(C)16X219... | A(C)35XP4...S | 16 | 23,04 | 38,40 | 175 | 2500 | 52 | 111,4 | | | | | | | | | |
| 20A(C)17,3X219... | A(C)42XP4...S | 17,3 | 24,91 | 41,52 | 175 | 2500 | 52,8 | 113,4 | 39,7 | 19 | 5/16"-18UNC | M8-6H | 30,2 | 14,2 | 1/4"-20UNC | M6-6H | |
| 20A(C)19X219... | A(C)42XP4...S | 19 | 27,36 | 45,60 | 175 | 2500 | 54 | 116,3 | | | | | | | | | |
| 20A(C)19X219SS... | A(C)42XP4...SS | 19 | 27,36 | 45,60 | 175 | 2500 | 51,4 | 110 | | | | | | | | | |
| 20A(C)22X219... | A(C)48XP4...S | 22 | 31,68 | 42,24 | 175 | 2000 | 57 | 121,3 | | | | | | | | | |
| 20A(C)25X219... | A(C)55XP4...S | 25 | 36,00 | 48,00 | 160 | 2000 | 59,2 | 126,2 | | | | | 39,7 | 19 | 5/16 | M8 | |



| Type | Displacement cm ³ /rev | Flow | | Pressure P _{nom} bar | max Speed n rpm | Dimension | | | | | | | |
|---------------|--------------------------------------|----------------------|---------------------|-------------------------------------|-----------------------|-----------|---------|-------|------|-------|--------|------|-------|
| | | at 1500 rpm l/min | at max rpm l/min | | | A mm | B mm | Inlet | | | Outlet | | |
| | | | | | | | | E | F | d | E | F | d |
| 20A(C)4,5X223 | 4,5 | 6,14 | 14,33 | 250 | 3500 | 42,5 | 80 | 30,2 | 13,1 | M6-6H | 30,2 | 13,1 | M6-6H |
| 20A(C)6,3X223 | 6,3 | 8,69 | 20,29 | 250 | 3500 | 42,5 | 80 | | | | | | |
| 20A(C)8,2X223 | 8,2 | 11,32 | 26,40 | 250 | 3500 | 42,5 | 80 | | | | | | |
| 20A(C)10X223 | 10 | 13,95 | 32,55 | 250 | 3500 | 47 | 89 | 39,7 | 19 | M8-6H | 30,2 | 14,2 | M6-6H |
| 20A(C)11X223 | 11,3 | 15,76 | 36,78 | 250 | 3500 | 48 | 91,1 | | | | | | |
| 20A(C)12X223 | 12 | 16,92 | 39,48 | 250 | 3500 | 48,6 | 92,3 | | | | | | |
| 20A(C)14X223 | 14 | 19,95 | 46,55 | 250 | 3500 | 50 | 95,4 | | | | | | |
| 20A(C)15X223 | 15 | 21,60 | 36,00 | 250 | 2500 | 51 | 96,9 | | | | | | |
| 20A(C)16X223 | 16 | 23,04 | 38,40 | 250 | 2500 | 52 | 98,6 | | | | | | |
| 20A(C)19X223 | 19 | 27,36 | 45,60 | 200 | 2500 | 54 | 103,5 | 39,7 | 19 | M8 | 39,7 | 19 | M8 |
| 20A(C)22X223 | 22 | 31,68 | 42,24 | 180 | 2000 | 57 | 108,5 | | | | | | |
| 20A(C)25X223 | 25 | 36,00 | 48,00 | 160 | 2000 | 59,2 | 113,4 | | | | | | |



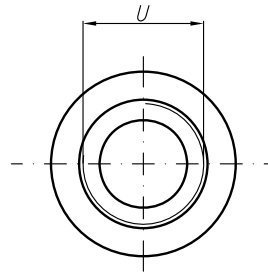
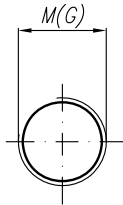
| Type | Displacement cm ³ /rev | Flow | | Pressure P _{nom} bar | max Speed n rpm | Dimension | | | | | | | |
|------------------|--------------------------------------|----------------------|---------------------|-------------------------------------|-----------------------|-----------|---------|---------|------|---|--------|---|---|
| | | at 1500 rpm l/min | at max rpm l/min | | | A mm | B mm | Inlet | | | Outlet | | |
| | | | | | | | | M | G | U | M | G | U |
| 20A(C)4,5X227... | 4,5 | 6,14 | 14,33 | 250 | 3500 | 42,1 | 87,2 | M20x1,5 | G1/2 | | | | |
| 20A(C)6,3X227... | 6,3 | 8,69 | 20,29 | 250 | 3500 | 42,1 | 87,2 | | | | | | |
| 20A(C)8,2X227... | 8,2 | 11,32 | 26,40 | 250 | 3500 | 42,1 | 87,2 | | | | | | |
| 20A(C)10X227... | 10 | 13,95 | 32,55 | 250 | 3500 | 46,6 | 96,2 | | G3/4 | | | | |
| 20A(C)11X227... | 11,3 | 15,76 | 36,78 | 250 | 3500 | 47,6 | 98,3 | | | | | | |
| 20A(C)12X227... | 12 | 16,92 | 39,48 | 250 | 3500 | 48,2 | 99,5 | | | | | | |
| 20A(C)14X227... | 14 | 19,95 | 46,55 | 250 | 3500 | 49,8 | 102,5 | | | | | | |
| 20A(C)15X227... | 15 | 21,60 | 36,00 | 250 | 2500 | 50,6 | 104,1 | | | | | | |
| 20A(C)16X227... | 16 | 23,04 | 38,40 | 250 | 2500 | 51,4 | 105,8 | | | | | | |
| 20A(C)19X227... | 19 | 27,36 | 45,60 | 200 | 2500 | 54 | 110,7 | | | | | | |
| 20A(C)22X227... | 22 | 31,68 | 42,24 | 180 | 2000 | 56,5 | 115,7 | M20x1,5 | | | | | |
| 20A(C)25X227... | 25 | 36,00 | 48,00 | 160 | 2000 | 58,8 | 120,6 | | | | | | |



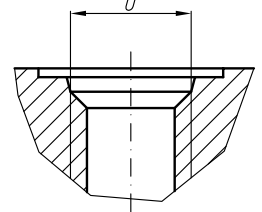
V
Variants for ports – M;G;U

Designations:

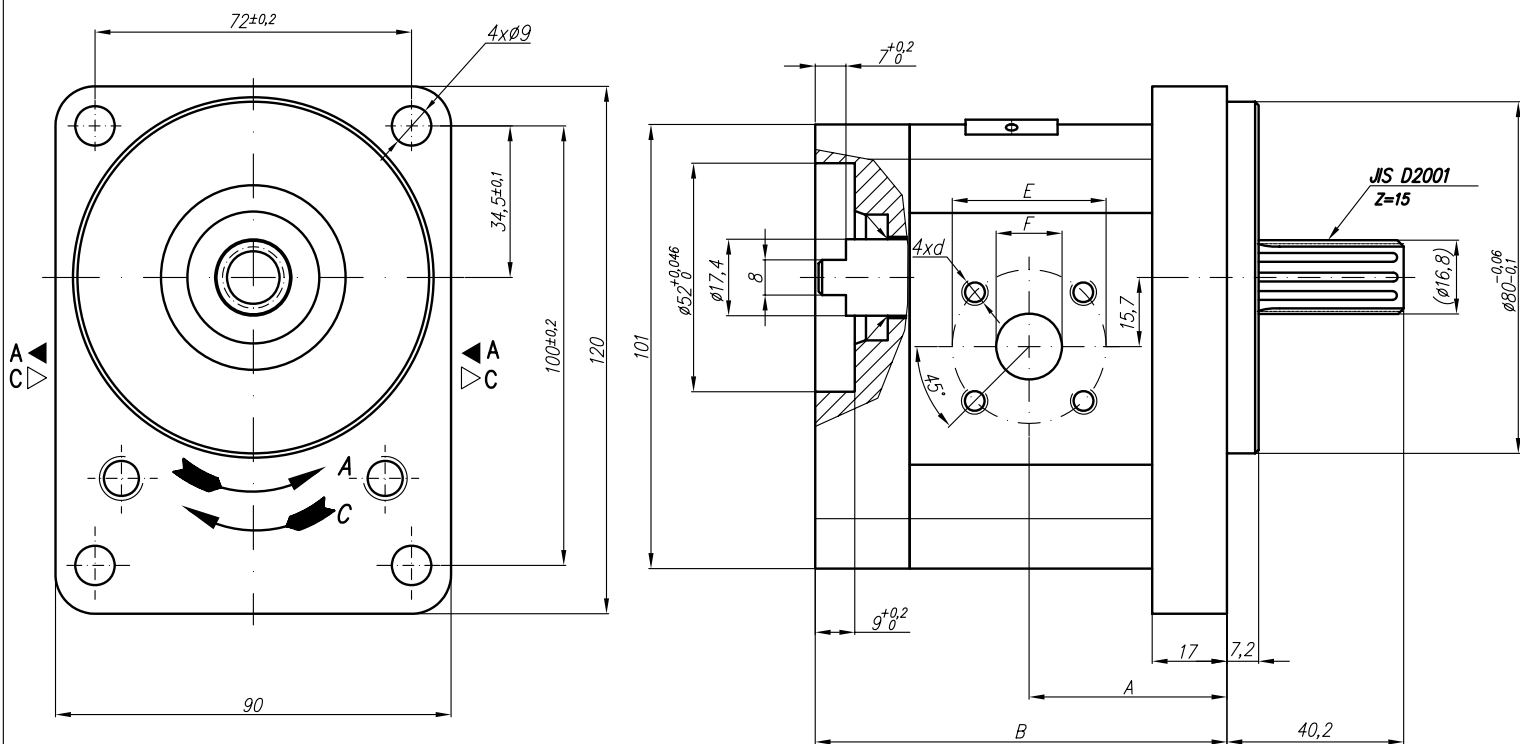
- ...X234 – Normal version (flanges);
- ...X234M – Metric threads;
- ...X234G – GAS threads;
- ...X234U – SAE threads;



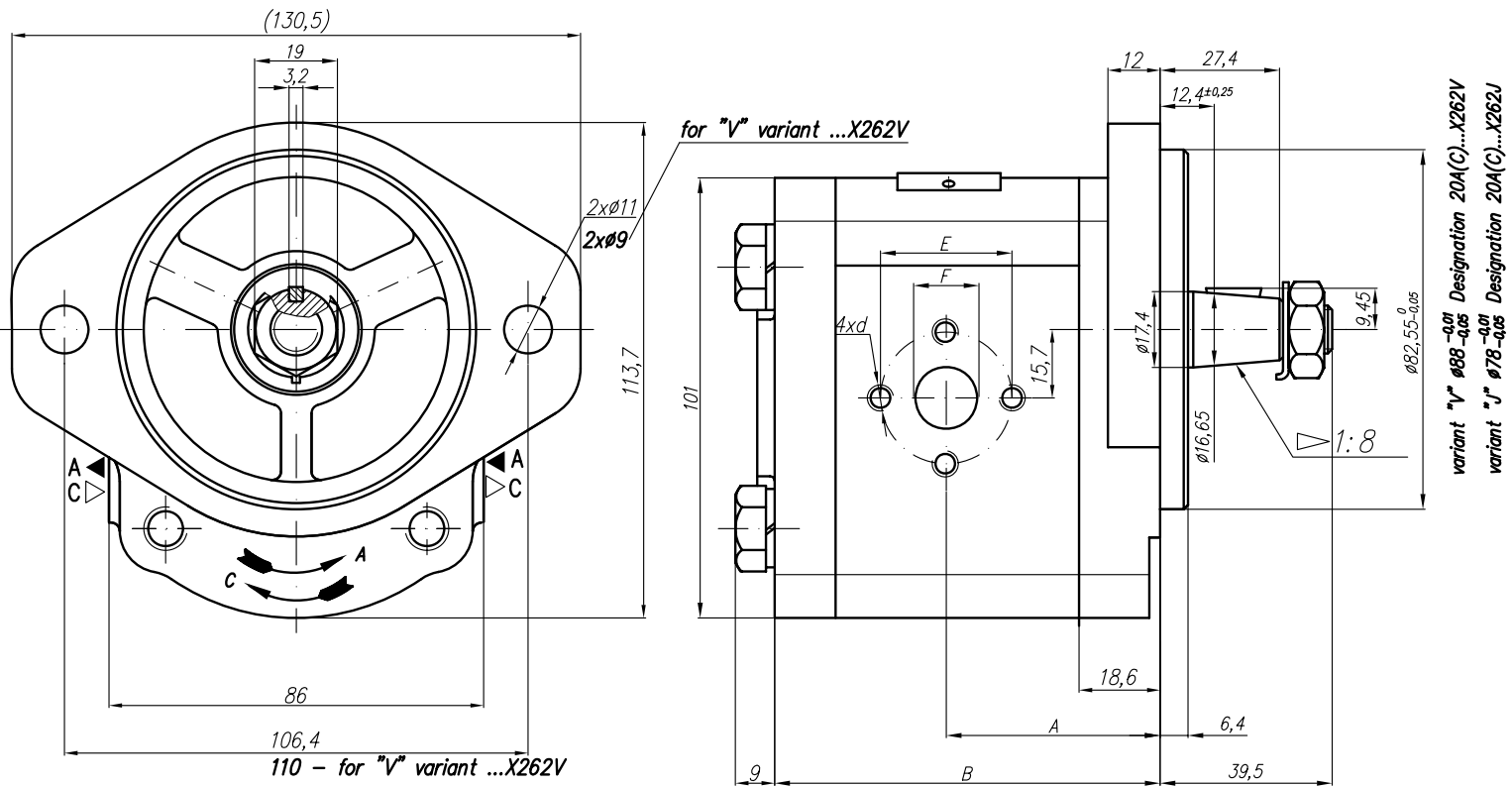
SAE J475 (ISO R725)



| Type | Displacement cm ³ /rev | Flow | | Pressure P _{nom} bar | max Speed n rpm | Dimension | | | | | | | | | | | | | | |
|------------------|--------------------------------------|----------------------|---------------------|-------------------------------------|-----------------------|-----------|---------|-------|------|-------|---------|------|---------------|------|------|-------|---------|------|---|------------|
| | | at 1500 rpm l/min | at max rpm l/min | | | A mm | B mm | Inlet | | | | | Outlet | | | | | | | |
| | | | | | | | | E | F | d | M | G | U | E | F | d | M | G | U | |
| 20A(C)4,5X234... | 4,5 | 6,14 | 14,33 | 250 | 3500 | 42,5 | 87,2 | | | | | | | | | | | | | |
| 20A(C)6,3X234... | 6,3 | 8,69 | 20,29 | 250 | 3500 | 42,5 | 87,2 | 30,2 | 13,1 | M6-6H | | G1/2 | | | 13,1 | | | | | |
| 20A(C)8,2X234... | 8,2 | 11,32 | 26,40 | 250 | 3500 | 42,5 | 87,2 | | | | | | | | | | | | | |
| 20A(C)10X234... | 10 | 13,95 | 32,55 | 250 | 3500 | 47 | 96,2 | | | | | | | | | | | | | |
| 20A(C)11X234... | 11,3 | 15,76 | 36,78 | 250 | 3500 | 48 | 98,3 | | | | | | | | | | | | | |
| 20A(C)12X234... | 12 | 16,92 | 39,48 | 250 | 3500 | 48,6 | 99,5 | | | | | | | | | | | | | |
| 20A(C)14X234... | 14 | 19,95 | 46,55 | 250 | 3500 | 50 | 102,5 | | | | | | | | | | | | | |
| 20A(C)15X234... | 15 | 21,60 | 36,00 | 250 | 2500 | 51 | 104,1 | 39,7 | 19 | M8-6H | M20x1,5 | G3/4 | 1 1/16"-12UNF | 30,2 | 14,2 | M6-6H | M16x1,5 | G1/2 | | 7/8"-14UNF |
| 20A(C)16X234... | 16 | 23,04 | 38,40 | 250 | 2500 | 52 | 105,8 | | | | | | | | | | | | | |
| 20A(C)19X234... | 19 | 27,36 | 45,60 | 200 | 2500 | 54 | 110,7 | | | | | | | | | | | | | |
| 20A(C)22X234... | 22 | 31,68 | 42,24 | 180 | 2000 | 57 | 115,7 | | | | | | | | | | | | | |
| 20A(C)25X234... | 25 | 36,00 | 48,00 | 160 | 2000 | 59,2 | 120,6 | | | | | | | 39,7 | 19 | M8 | M20x1,5 | G1/2 | | |

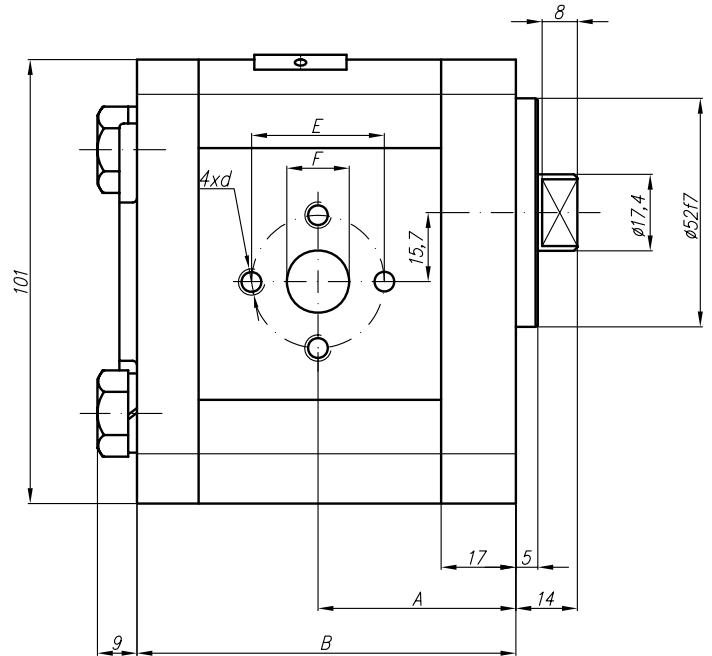
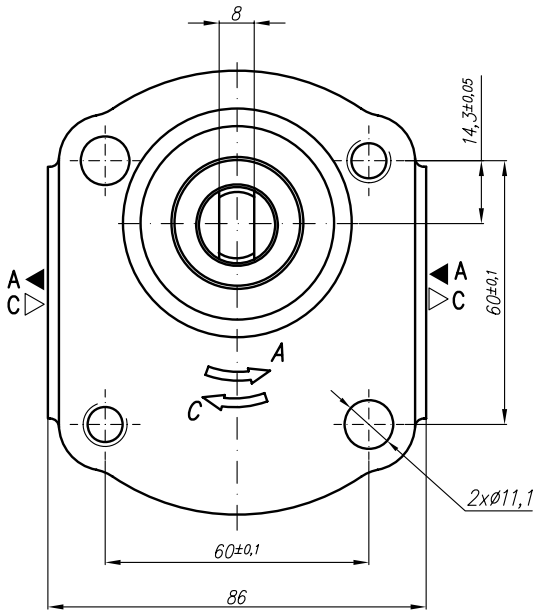


| Type | Displacement cm ³ /rev | Flow | | Pressure P _{nom} bar | max Speed n rpm | Dimension | | | | | | | | |
|---------------|--------------------------------------|----------------------|---------------------|-------------------------------------|-----------------------|-----------|---------|-------|----|-------|--------|----|-------|--|
| | | at 1500 rpm l/min | at max rpm l/min | | | A mm | B mm | Inlet | | | Outlet | | | |
| | | | | | | E | F | d | E | F | d | | | |
| 20A(C)4,5X259 | 4,5 | 6,14 | 14,33 | 250 | 3500 | 39,8 | 85,2 | 40 | 15 | M6-6H | 35 | 15 | M6-6H | |
| 20A(C)6,3X259 | 6,3 | 8,69 | 20,29 | 250 | 3500 | 41 | 88,2 | | | | | | | |
| 20A(C)8,2X259 | 8,2 | 11,32 | 26,40 | 250 | 3500 | 43,1 | 91,1 | | | | | | | |
| 20A(C)10X259 | 10 | 13,95 | 32,55 | 250 | 3500 | 47,5 | 94,1 | | | | | | | |
| 20A(C)11X259 | 11,3 | 15,76 | 36,78 | 250 | 3500 | 47,5 | 96,2 | | | | | | | |
| 20A(C)12X259 | 12 | 16,92 | 39,48 | 250 | 3500 | 47,5 | 97,5 | | | | | | | |
| 20A(C)14X259 | 14 | 19,95 | 46,55 | 250 | 3500 | 47,5 | 100,6 | | | | | | | |
| 20A(C)15X259 | 15 | 21,60 | 36,00 | 250 | 2500 | 47,5 | 102,1 | | | | | | | |
| 20A(C)16X259 | 16 | 23,04 | 38,40 | 250 | 2500 | 47,5 | 103,8 | | | | | | | |
| 20A(C)19X259 | 19 | 27,36 | 45,60 | 200 | 2500 | 47,5 | 108,7 | | | | | | | |
| 20A(C)22X259 | 22 | 31,68 | 42,24 | 180 | 2000 | 55 | 113,7 | | | | | | | |
| 20A(C)25X259 | 25 | 36,00 | 48,00 | 160 | 2000 | 57,2 | 118,5 | | | | | | | |

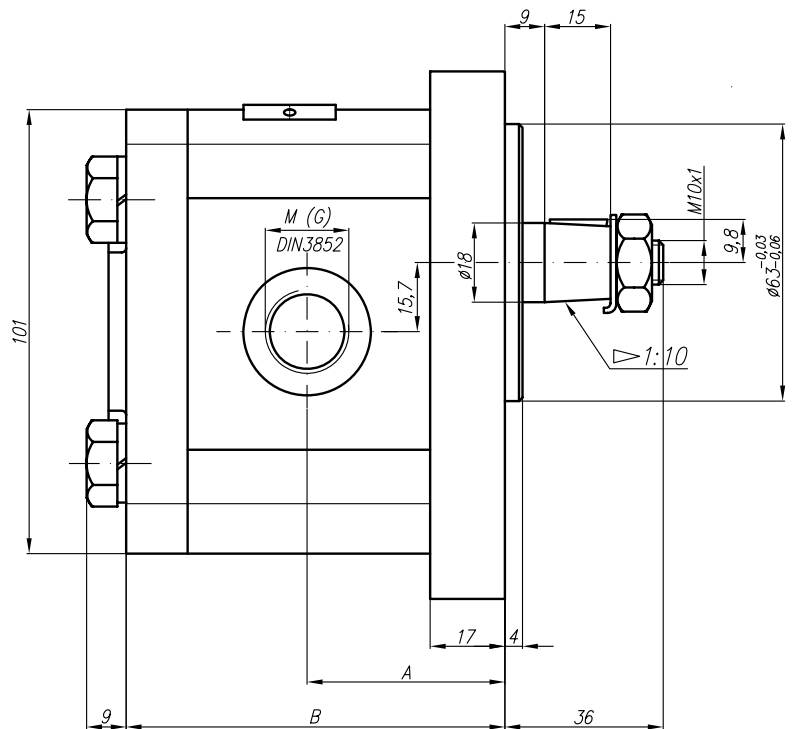
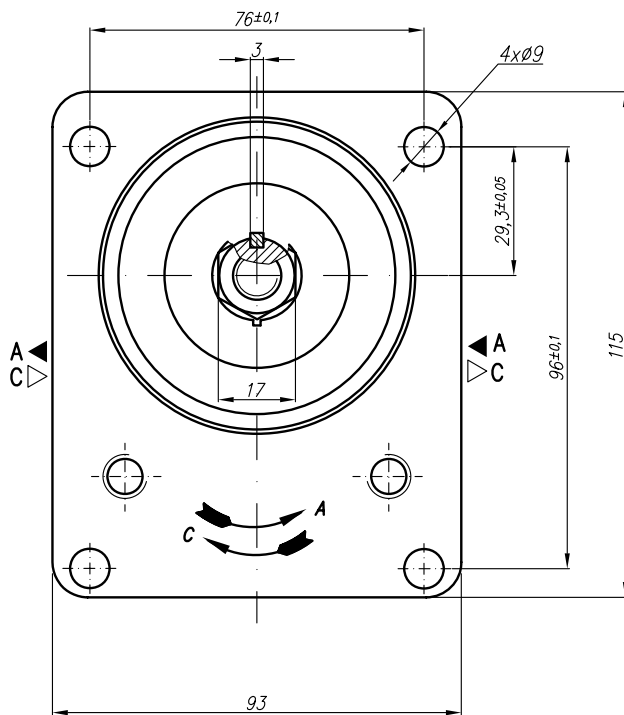


| Type | Displacement cm ³ /rev | Flow | | Pressure P _{nom} bar | max Speed n rpm | Dimension | | | | | | | |
|--------------------|--------------------------------------|----------------------|---------------------|-------------------------------------|-----------------------|-----------|---------|---------|---------|---------|---------|---------|---------|
| | | at 1500 rpm l/min | at max rpm l/min | | | Inlet | | | Outlet | | | | |
| | | | | | | A mm | B mm | E mm | F mm | d mm | E mm | F mm | d mm |
| 20A(C)4,5X262... | 4,5 | 6,14 | 14,33 | 250 | 3500 | 42,5 | 80 | 30,2 | 13,1 | M6-6H | 30,2 | 13,1 | M6-6H |
| 20A(C)6,3X262... | 6,3 | 8,69 | 20,29 | 250 | 3500 | 42,5 | 80 | | | | | | |
| 20A(C)8,2X262... | 8,2 | 11,32 | 26,40 | 250 | 3500 | 42,5 | 80 | | | | | | |
| 20A(C)10X262... | 10 | 13,95 | 32,55 | 250 | 3500 | 47 | 89 | | | | | | |
| 20A(C)11X262... | 11,3 | 15,76 | 36,78 | 250 | 3500 | 48 | 91,1 | | | | | | |
| 20A(C)12X262... | 12 | 16,92 | 39,48 | 250 | 3500 | 48,6 | 92,3 | | | | | | |
| 20A(C)14X262... | 14 | 19,95 | 46,55 | 250 | 3500 | 50 | 95,4 | | | | | | |
| 20A(C)15X262... | 15 | 21,60 | 36,00 | 250 | 2500 | 51 | 96,9 | | | | | | |
| 20A(C)16X262... | 16 | 23,04 | 38,40 | 250 | 2500 | 52 | 98,6 | | | | | | |
| 20A(C)19X262... | 19 | 27,36 | 45,60 | 200 | 2500 | 54 | 103,5 | | | | | | |
| 20A(C)22X262... | 22 | 31,68 | 42,24 | 180 | 2000 | 57 | 108,5 | 39,7 | 19 | M8-6H | 30,2 | 14,2 | M6-6H |
| 20A(C)25X262... | 25 | 36,00 | 48,00 | 160 | 2000 | 59,2 | 113,4 | | | | | | |
| 20A(C)14X262...H | 14 | 20,16 | 47,04 | 250 | 3500 | 55,6 | 106,8 | 39,7 | 19 | M8-6H | 30,2 | 14,2 | M6-6H |
| 20A(C)15X262...H | 15 | 21,60 | 43,20 | 250 | 3000 | 55,6 | 106,8 | | | | | | |
| 20A(C)16X262...H | 16 | 23,04 | 46,08 | 250 | 3000 | 56,5 | 108,4 | | | | | | |
| 20A(C)17,3X262...H | 17,3 | 24,91 | 49,82 | 230 | 3000 | 57,6 | 110,5 | | | | | | |
| 20A(C)18,2X262...H | 18,2 | 26,21 | 52,42 | 210 | 3000 | 58,4 | 112,1 | | | | | | |
| 20A(C)19X262...H | 19 | 27,36 | 54,72 | 200 | 3000 | 59 | 113,4 | | | | | | |
| 20A(C)22X262...H | 22 | 31,68 | 52,80 | 180 | 2500 | 61,5 | 118,4 | | | | | | |
| 20A(C)25X262...H | 25 | 36,00 | 60,00 | 160 | 2500 | 63,9 | 123,3 | | | | | | |
| 20A(C)28X262...H | 28 | 40,32 | 67,20 | 130 | 2500 | 66,4 | 128,1 | | | | | | |
| 20A(C)32X262...H | 32 | 46,08 | 61,44 | 120 | 2000 | 69,6 | 134,4 | | | | | | |
| 20A(C)36X262...H | 36 | 51,84 | 69,12 | 100 | 2000 | 72,8 | 141 | | | | | | |

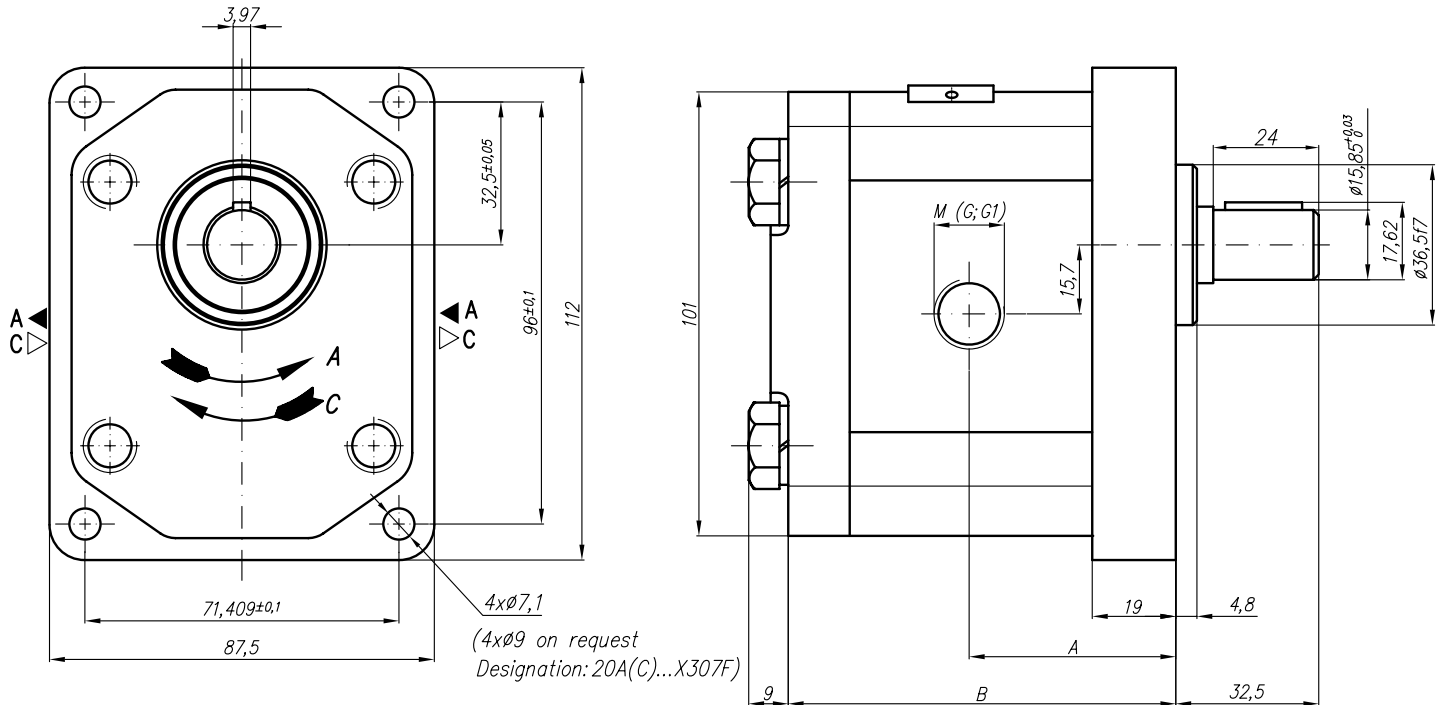
variant "V" Ø88-0,05 Designation 20A(C)...X262V
variant "J" Ø78-0,05 Designation 20A(C)...X262J



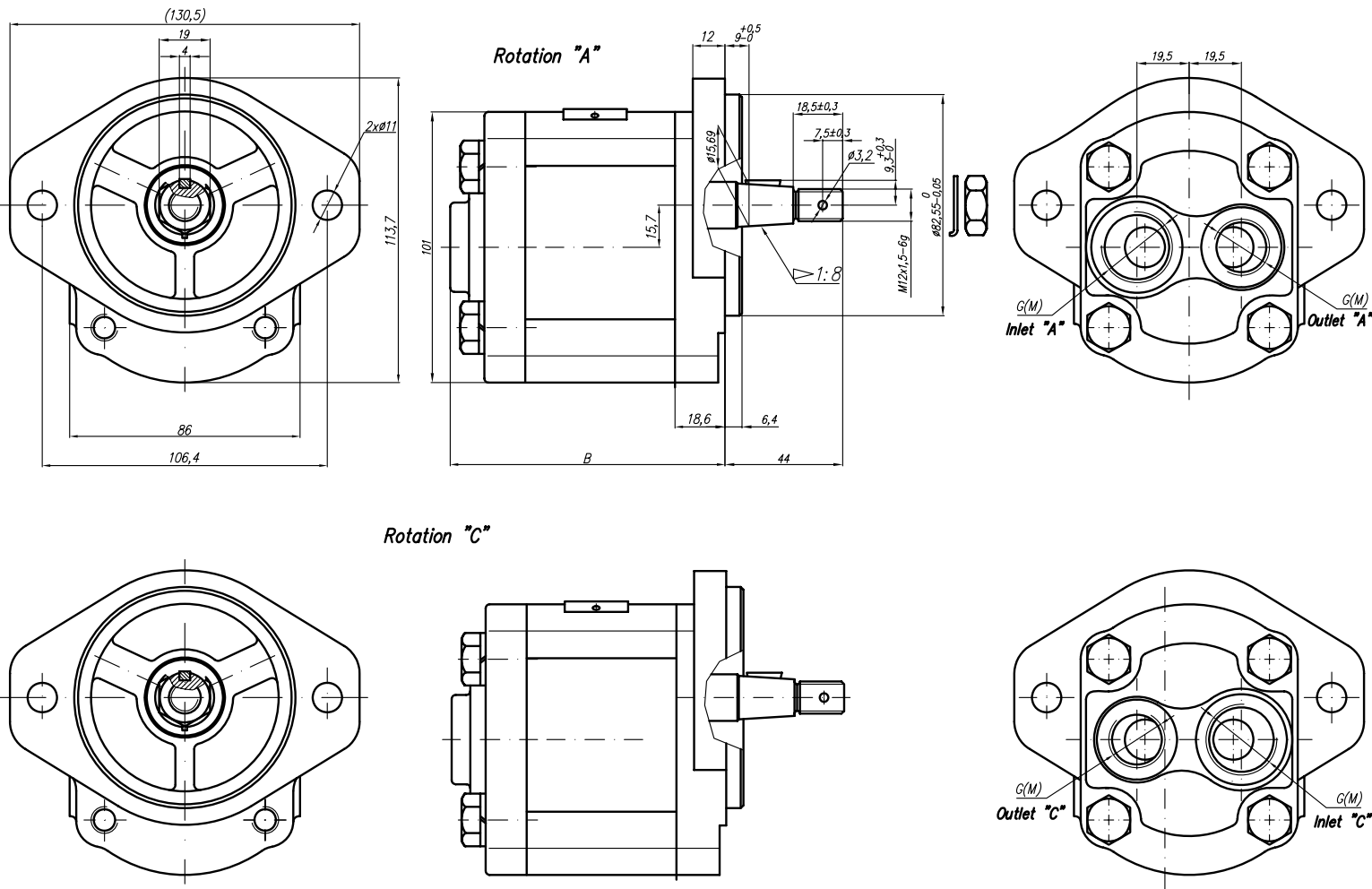
| Type | Displacement cm ³ /rev | Flow | | Pressure P _{nom} bar | max Speed n rpm | Dimension | | | | | | | |
|---------------|--------------------------------------|----------------------|---------------------|-------------------------------------|-----------------------|-----------|---------|-------|------|-------|--------|------|-------|
| | | at 1500 rpm l/min | at max rpm l/min | | | A mm | B mm | Inlet | | | Outlet | | |
| | | | | | | | | E | F | d | E | F | d |
| 20A(C)4,5X295 | 4,5 | 6,14 | 14,33 | 250 | 3500 | 40,5 | 78 | 30,2 | 13,1 | M6-6H | 30,2 | 13,1 | |
| 20A(C)6,3X295 | 6,3 | 8,69 | 20,29 | 250 | 3500 | 42 | 81 | | | | | | |
| 20A(C)8,2X295 | 8,2 | 11,32 | 26,40 | 250 | 3500 | 43,5 | 83,9 | 39,7 | 19 | M8-6H | 30,2 | 14,2 | M6-6H |
| 20A(C)10X295 | 10 | 13,95 | 32,55 | 250 | 3500 | 45 | 87 | | | | | | |
| 20A(C)11X295 | 11,3 | 15,76 | 36,78 | 250 | 3500 | 46 | 89,1 | 39,7 | 19 | M8-6H | 30,2 | 14,2 | M6-6H |
| 20A(C)12X295 | 12 | 16,92 | 39,48 | 250 | 3500 | 46,6 | 90,3 | | | | | | |
| 20A(C)14X295 | 14 | 19,95 | 46,55 | 250 | 3500 | 48 | 93,4 | 39,7 | 19 | M8-6H | 30,2 | 14,2 | M6-6H |
| 20A(C)15X295 | 15 | 21,60 | 36,00 | 250 | 2500 | 49 | 95 | | | | | | |
| 20A(C)16X295 | 16 | 23,04 | 38,40 | 250 | 2500 | 50 | 96,6 | 39,7 | 19 | M8-6H | 30,2 | 14,2 | M6-6H |
| 20A(C)19X295 | 19 | 27,36 | 45,60 | 200 | 2500 | 52 | 101,5 | | | | | | |
| 20A(C)22X295 | 22 | 31,68 | 42,24 | 180 | 2000 | 55 | 106,5 | 39,7 | 19 | M8-6H | 30,2 | 14,2 | M6-6H |
| 20A(C)25X295 | 25 | 36,00 | 48,00 | 160 | 2000 | 57,2 | 111,4 | | | | | | |



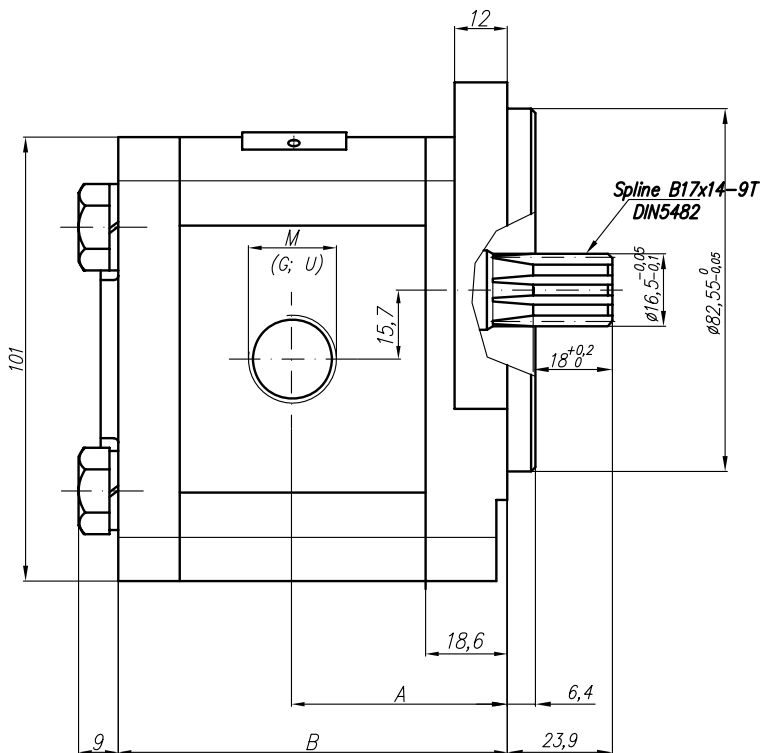
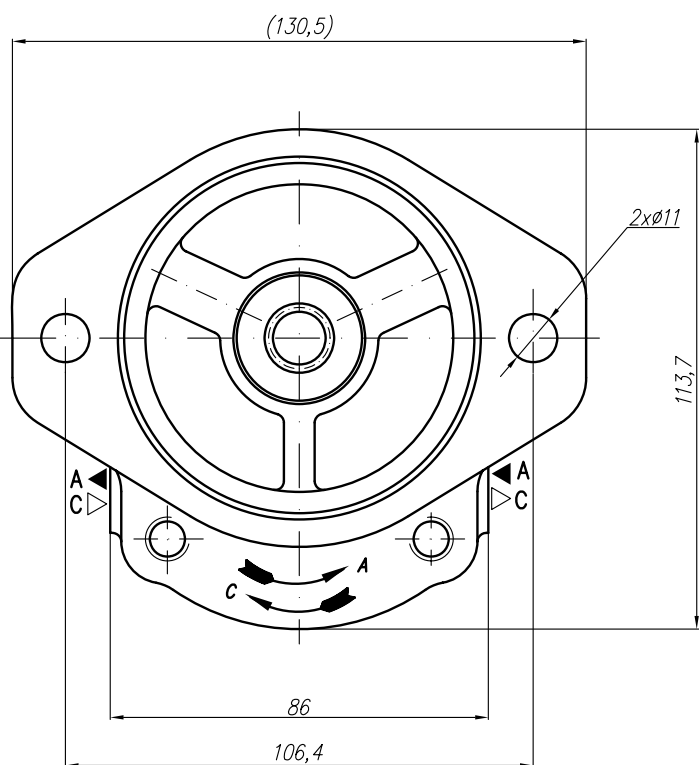
| Type | Displacement cm ³ /rev | Flow | | Pressure P _{nom} bar | max Speed n rpm | Dimension | | | | | | | |
|---------------|--------------------------------------|----------------------|---------------------|-------------------------------------|-----------------------|-----------|---------|---------|------|---|---------|------|---|
| | | at 1500 rpm l/min | at max rpm l/min | | | A mm | B mm | Inlet | | | Outlet | | |
| | | | | | | | | M | G | U | M | G | U |
| 20A(C)4,5X306 | 4,5 | 6,14 | 14,33 | 250 | 3500 | 42,5 | 80 | M18x1,5 | G1/2 | | M14x1,5 | | |
| 20A(C)6,3X306 | 6,3 | 8,69 | 20,29 | 250 | 3500 | 42,5 | 80 | M18x1,5 | G1/2 | | M14x1,5 | | |
| 20A(C)8,2X306 | 8,2 | 11,32 | 26,40 | 250 | 3500 | 42,5 | 80 | M18x1,5 | G1/2 | | M14x1,5 | | |
| 20A(C)10X306 | 10 | 13,95 | 32,55 | 250 | 3500 | 47 | 89 | M22x1,5 | G3/4 | | M18x1,5 | G1/2 | |
| 20A(C)11X306 | 11,3 | 15,76 | 36,78 | 250 | 3500 | 48,6 | 91,1 | M22x1,5 | G3/4 | | M18x1,5 | G1/2 | |
| 20A(C)12X306 | 12 | 16,92 | 39,48 | 250 | 3500 | 49 | 92,3 | M22x1,5 | G3/4 | | M18x1,5 | G1/2 | |
| 20A(C)14X306 | 14 | 19,95 | 46,55 | 250 | 3500 | 49 | 95,4 | M22x1,5 | G3/4 | | M18x1,5 | G1/2 | |
| 20A(C)15X306 | 15 | 21,60 | 36,00 | 250 | 2500 | 49,5 | 96,9 | M27x2 | G3/4 | | M18x1,5 | G1/2 | |
| 20A(C)16X306 | 16 | 23,04 | 38,40 | 250 | 2500 | 52 | 98,6 | M27x2 | G3/4 | | M18x1,5 | G1/2 | |
| 20A(C)19X306 | 19 | 27,36 | 45,60 | 200 | 2500 | 53 | 103,5 | M27x2 | G3/4 | | M18x1,5 | G1/2 | |
| 20A(C)22X306 | 22 | 31,68 | 42,24 | 180 | 2000 | 57 | 108,5 | M27x2 | G3/4 | | M18x1,5 | G1/2 | |
| 20A(C)25X306 | 25 | 36,00 | 48,00 | 160 | 2000 | 59,2 | 113,4 | M27x2 | G3/4 | | M18x1,5 | G1/2 | |



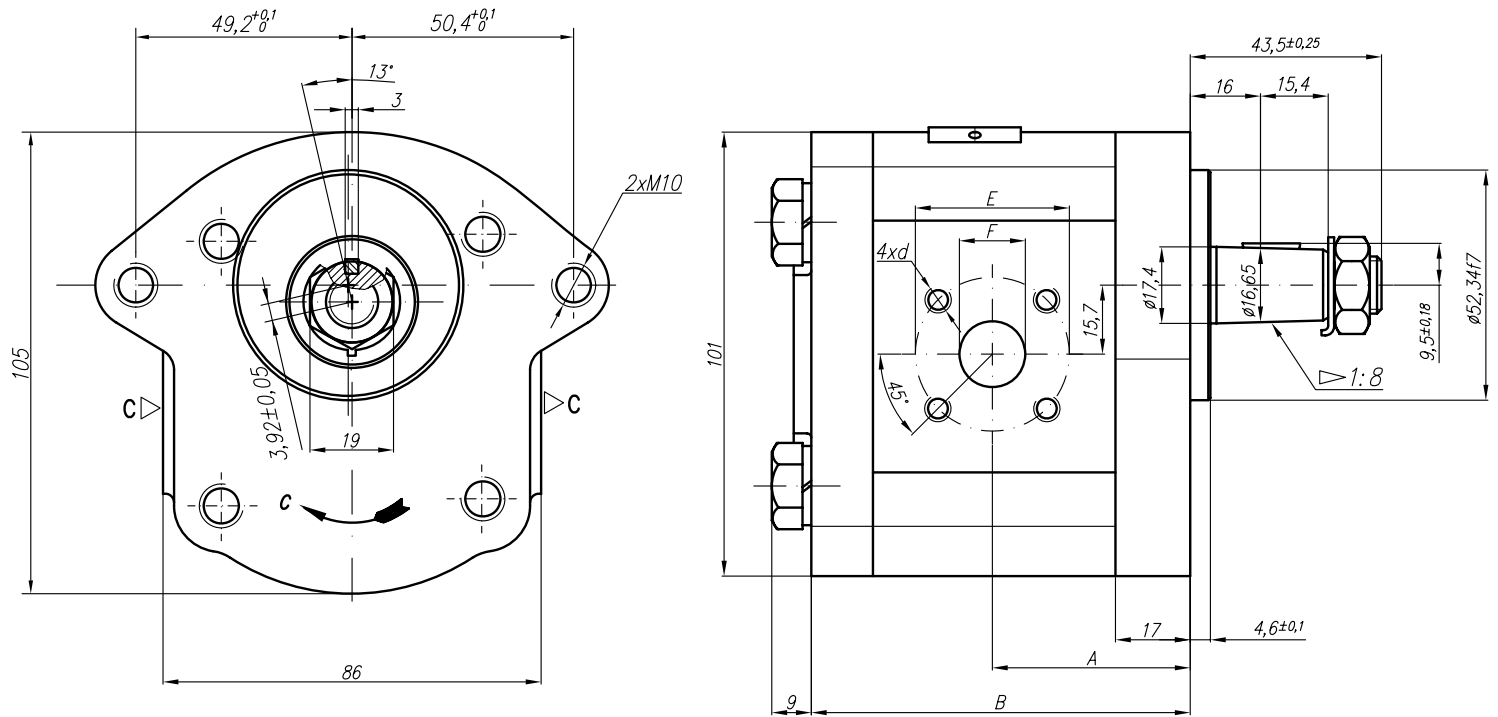
| Type | Displacement cm ³ /rev | Flow | | Pressure P _{nom} bar | max Speed n rpm | Dimension | | | | | | | |
|------------------|--------------------------------------|----------------------|---------------------|-------------------------------------|-----------------------|-----------|---------|-------|---|----|--------|---|----|
| | | at 1500 rpm l/min | at max rpm l/min | | | A mm | B mm | Inlet | | | Outlet | | |
| | | | | | | | | M | G | G1 | M | G | G1 |
| 20A(C)4,5X307... | 4,5 | 6,14 | 14,33 | 250 | 3500 | | | | | | | | |
| 20A(C)6,3X307... | 6,3 | 8,69 | 20,29 | 250 | 3500 | | | | | | | | |
| 20A(C)8,2X307... | 8,2 | 11,32 | 26,40 | 250 | 3500 | | | | | | | | |
| 20A(C)10X307... | 10 | 13,95 | 32,55 | 250 | 3500 | 47 | 89 | | | | | | |
| 20A(C)11X307... | 11,3 | 15,76 | 36,78 | 250 | 3500 | 48 | 91,1 | | | | | | |
| 20A(C)12X307... | 12 | 16,92 | 39,48 | 250 | 3500 | 48,6 | 92,3 | | | | | | |
| 20A(C)14X307... | 14 | 19,95 | 46,55 | 250 | 3500 | 50 | 95,4 | | | | | | |
| 20A(C)15X307... | 15 | 21,60 | 36,00 | 250 | 2500 | 51 | 96,9 | | | | | | |
| 20A(C)16X307... | 16 | 23,04 | 38,40 | 250 | 2500 | 52 | 98,6 | | | | | | |
| 20A(C)19X307... | 19 | 27,36 | 45,60 | 200 | 2500 | 54 | 103,5 | | | | | | |
| 20A(C)22X307... | 22 | 31,68 | 42,24 | 180 | 2000 | 57 | 108,5 | | | | | | |
| 20A(C)25X307... | 25 | 36,00 | 48,00 | 160 | 2000 | 59,2 | 113,4 | | | | | | |



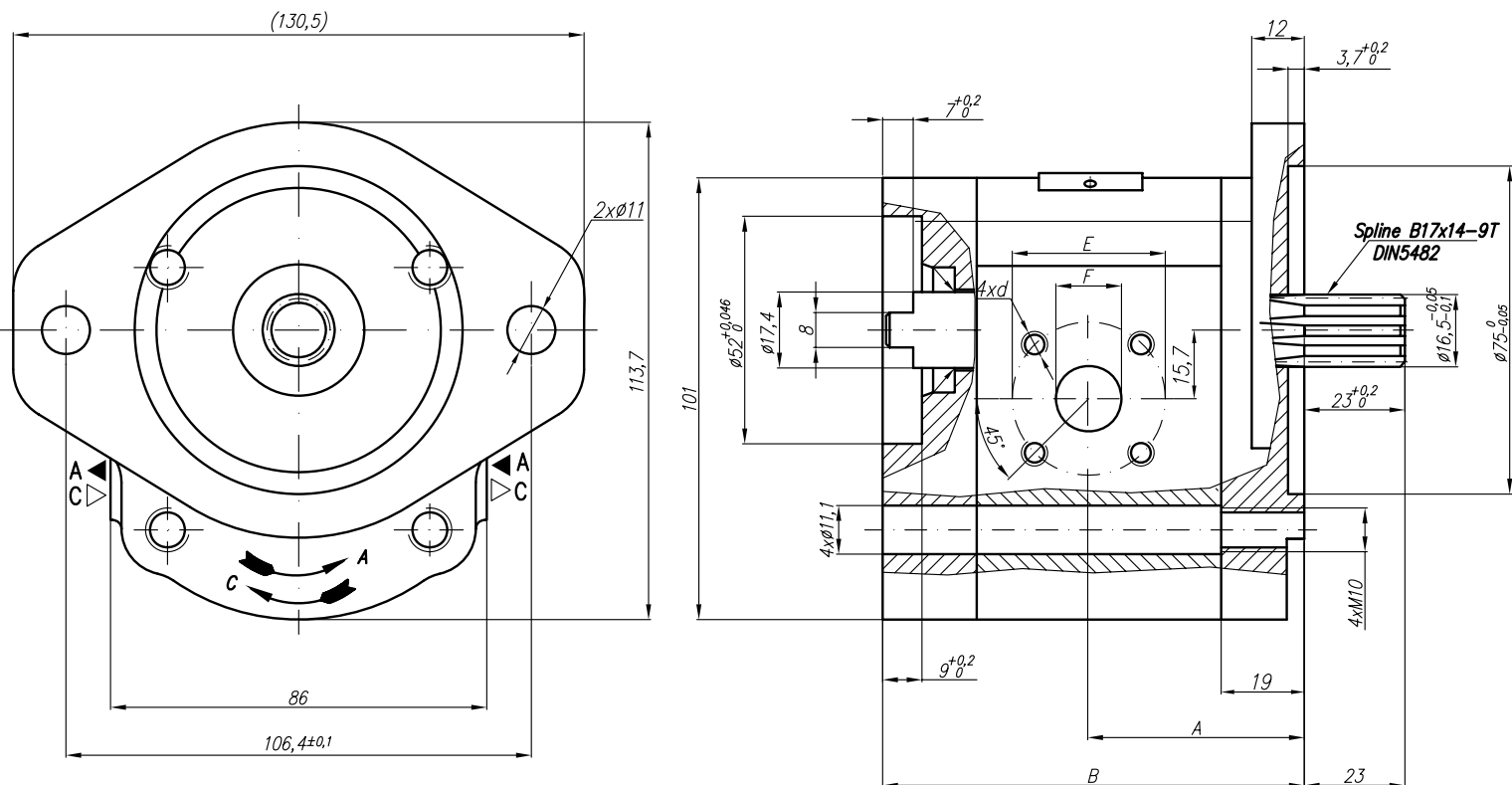
| Type | Displacement cm ³ /rev | Flow | | Pressure P _{nom} bar | max Speed n rpm | Dimension | | | | | | | |
|----------------|--------------------------------------|----------------------|---------------------|-------------------------------------|-----------------------|-----------|---------|---------|------|----|---------|------|----|
| | | at 1500 rpm l/min | at max rpm l/min | | | A mm | B mm | Inlet | | | Outlet | | |
| | | | | | | | | M | G | G1 | M | G | G1 |
| 20A(C)4,5X318W | 4,5 | 6,14 | 14,33 | 250 | 3500 | | 93,6 | M27x1,5 | G3/4 | | M22x1,5 | G1/2 | |
| 20A(C)6,3X318W | 6,3 | 8,69 | 20,29 | 250 | 3500 | | 96,6 | | | | | | |
| 20A(C)8,2X318W | 8,2 | 11,32 | 26,40 | 250 | 3500 | | 99,5 | | | | | | |
| 20A(C)10X318W | 10 | 13,95 | 32,55 | 250 | 3500 | | 102,5 | | | | | | |
| 20A(C)11X318W | 11,3 | 15,76 | 36,78 | 250 | 3500 | | 104,6 | | | | | | |
| 20A(C)12X318W | 12 | 16,92 | 39,48 | 250 | 3500 | | 105,9 | | | | | | |
| 20A(C)14X318W | 14 | 19,95 | 46,55 | 250 | 3500 | | 108,9 | | | | | | |
| 20A(C)15X318W | 15 | 21,60 | 36,00 | 250 | 2500 | | 110,5 | | | | | | |
| 20A(C)16X318W | 16 | 23,04 | 38,40 | 250 | 2500 | | 112,1 | | | | | | |
| 20A(C)19X318W | 19 | 27,36 | 45,60 | 200 | 2500 | | 117,1 | | | | | | |
| 20A(C)22X318W | 22 | 31,68 | 42,24 | 180 | 2000 | | 122,1 | | | | | | |
| 20A(C)25X318W | 25 | 36,00 | 48,00 | 160 | 2000 | | 127 | | | | | | |



| Type | Displacement cm ³ /rev | Flow | | Pressure P _{nom} bar | max Speed n rpm | Dimension | | | | | | | |
|------------------|--------------------------------------|----------------------|---------------------|-------------------------------------|-----------------------|-----------|---------|---------|------|---------------|---------|------|------------|
| | | at 1500 rpm l/min | at max rpm l/min | | | A mm | B mm | Inlet | | | Outlet | | |
| | | | | | | | | M | G | U | M | G | U |
| 20A(C)4,5X320... | 4,5 | 6,14 | 14,33 | 250 | 3500 | 42 | 79,6 | M20x1,5 | G1/2 | 1 1/16"-12UNF | M16x1,5 | G1/2 | 7/8"-14UNF |
| 20A(C)6,3X320... | 6,3 | 8,69 | 20,29 | 250 | 3500 | 43,6 | 82,6 | | | | | | |
| 20A(C)8,2X320... | 8,2 | 11,32 | 26,40 | 250 | 3500 | 45 | 85,6 | | | | | | |
| 20A(C)10X320... | 10 | 13,95 | 32,55 | 250 | 3500 | 46,6 | 88,7 | | | | | | |
| 20A(C)11X320... | 11,3 | 15,76 | 36,78 | 250 | 3500 | 47,6 | 90,7 | | | | | | |
| 20A(C)12X320... | 12 | 16,92 | 39,48 | 250 | 3500 | 48,2 | 91,9 | | | | | | |
| 20A(C)14X320... | 14 | 19,95 | 46,55 | 250 | 3500 | 49,6 | 95 | | | | | | |
| 20A(C)15X320... | 15 | 21,60 | 36,00 | 250 | 2500 | 50,6 | 96,5 | | | | | | |
| 20A(C)16X320... | 16 | 23,04 | 38,40 | 250 | 2500 | 51,6 | 98,2 | | | | | | |
| 20A(C)19X320... | 19 | 27,36 | 45,60 | 200 | 2500 | 53,6 | 103,1 | | | | | | |
| 20A(C)22X320... | 22 | 31,68 | 42,24 | 180 | 2000 | 56,6 | 108,1 | | | | | | |
| 20A(C)25X320... | 25 | 36,00 | 48,00 | 160 | 2000 | 58,8 | 113 | | | | | | |

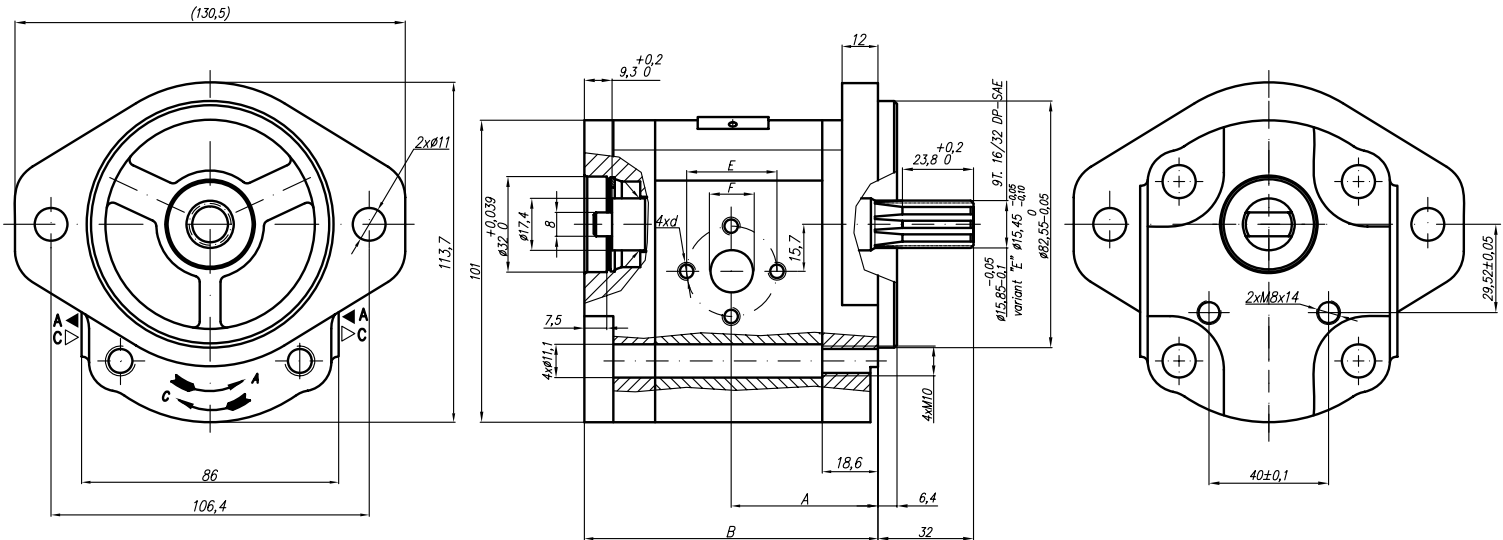


| Type | Displacement cm ³ /rev | Flow | | Pressure P _{nom} bar | max Speed n rpm | Dimension | | | | | | | |
|------------|--------------------------------------|----------------------|---------------------|-------------------------------------|-----------------------|-----------|---------|-------|----|-------|--------|----|-------|
| | | at 1500 rpm l/min | at max rpm l/min | | | A mm | B mm | Inlet | | | Outlet | | |
| | | | | | | | | E | F | d | E | F | d |
| 20C4,5X328 | 4,5 | 6,14 | 14,33 | 250 | 3500 | | | 40 | 15 | M6-6H | 35 | 15 | M6-6H |
| 20C6,3X328 | 6,3 | 8,69 | 20,29 | 250 | 3500 | 42 | 81 | | | | | | |
| 20C8,2X328 | 8,2 | 11,32 | 26,40 | 250 | 3500 | 43,5 | 83,9 | | | | | | |
| 20C10X328 | 10 | 13,95 | 32,55 | 250 | 3500 | 45 | 87 | | | | | | |
| 20C11X328 | 11,3 | 15,76 | 36,78 | 250 | 3500 | 46 | 89,1 | | | | | | |
| 20C12X328 | 12 | 16,92 | 39,48 | 250 | 3500 | 46,6 | 90,3 | | | | | | |
| 20C14X328 | 14 | 19,95 | 46,55 | 250 | 3500 | 48 | 93,4 | | | | | | |
| 20C15X328 | 15 | 21,60 | 36,00 | 250 | 2500 | 49 | 95 | | | | | | |
| 20C16X328 | 16 | 23,04 | 38,40 | 250 | 2500 | 50 | 96,6 | | | | | | |
| 20C19X328 | 19 | 27,36 | 45,60 | 200 | 2500 | 52 | 101,5 | | | | | | |
| 20C22X328 | 22 | 31,68 | 42,24 | 180 | 2000 | 55 | 106,5 | | | | | | |
| 20C25X328 | 25 | 36,00 | 48,00 | 160 | 2000 | 57,2 | 111,4 | | | | | | |



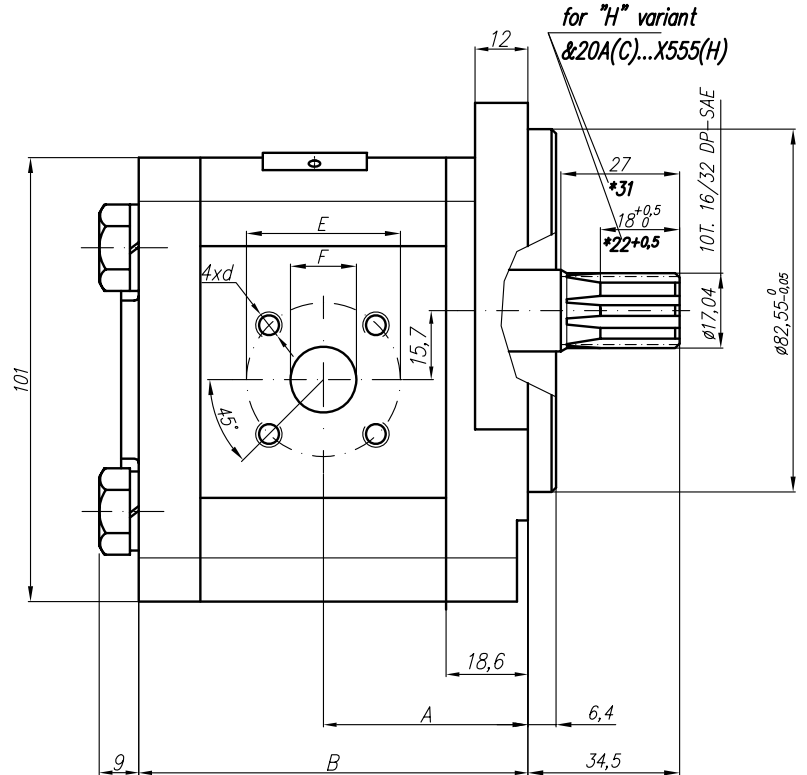
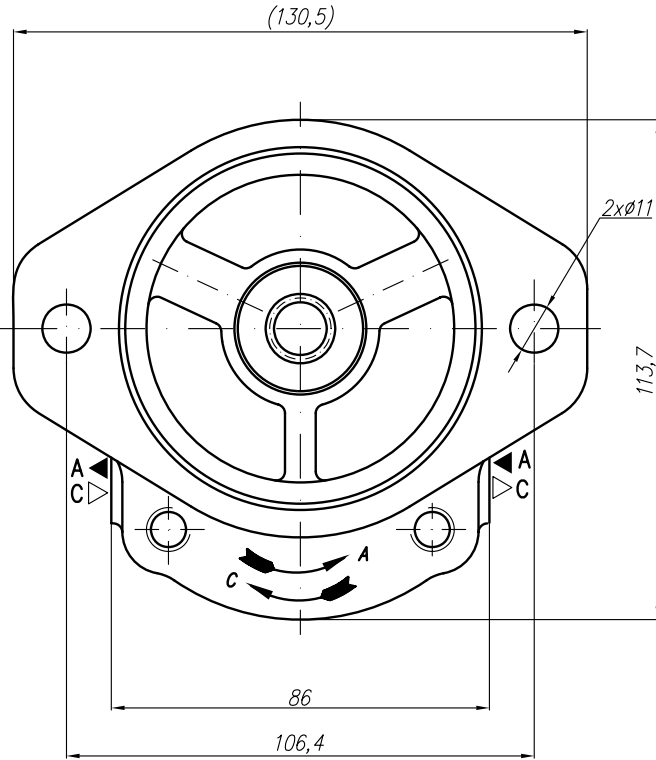
| Type | Displacement cm ³ /rev | Flow | | Pressure P _{nom} bar | max Speed n rpm | Dimension | | | | | | | | |
|---------------|--------------------------------------|----------------------|---------------------|-------------------------------------|-----------------------|-----------|---------|-------|----|-------|--------|----|-------|--|
| | | at 1500 rpm l/min | at max rpm l/min | | | A mm | B mm | Inlet | | | Outlet | | | |
| | | | | | | E | F | d | E | F | d | | | |
| 20A(C)4,5X341 | 4,5 | 6,14 | 14,33 | 250 | 3500 | 41,8 | 87,2 | 40 | 20 | M6-6H | 35 | 15 | M6-6H | |
| 20A(C)6,3X341 | 6,3 | 8,69 | 20,29 | 250 | 3500 | 43 | 90,2 | | | | | | | |
| 20A(C)8,2X341 | 8,2 | 11,32 | 26,40 | 250 | 3500 | 45,1 | 93,1 | | | | | | | |
| 20A(C)10X341 | 10 | 13,95 | 32,55 | 250 | 3500 | 49,5 | 96,2 | | | | | | | |
| 20A(C)11X341 | 11,3 | 15,76 | 36,78 | 250 | 3500 | 49,5 | 98,2 | | | | | | | |
| 20A(C)12X341 | 12 | 16,92 | 39,48 | 250 | 3500 | 49,5 | 99,5 | | | | | | | |
| 20A(C)14X341 | 14 | 19,95 | 46,55 | 250 | 3500 | 49,5 | 102,6 | | | | | | | |
| 20A(C)15X341 | 15 | 21,60 | 36,00 | 250 | 2500 | 49,5 | 104,1 | | | | | | | |
| 20A(C)16X341 | 16 | 23,04 | 38,40 | 250 | 2500 | 49,5 | 105,8 | | | | | | | |
| 20A(C)19X341 | 19 | 27,36 | 45,60 | 200 | 2500 | 49,5 | 110,7 | | | | | | | |
| 20A(C)22X341 | 22 | 31,68 | 42,24 | 180 | 2000 | 57 | 115,7 | | | | | | | |
| 20A(C)25X341 | 25 | 36,00 | 48,00 | 160 | 2000 | 59,2 | 120,6 | | | | | | | |

Designed as a first section of tandem pumps group 21A(C)...X347/...



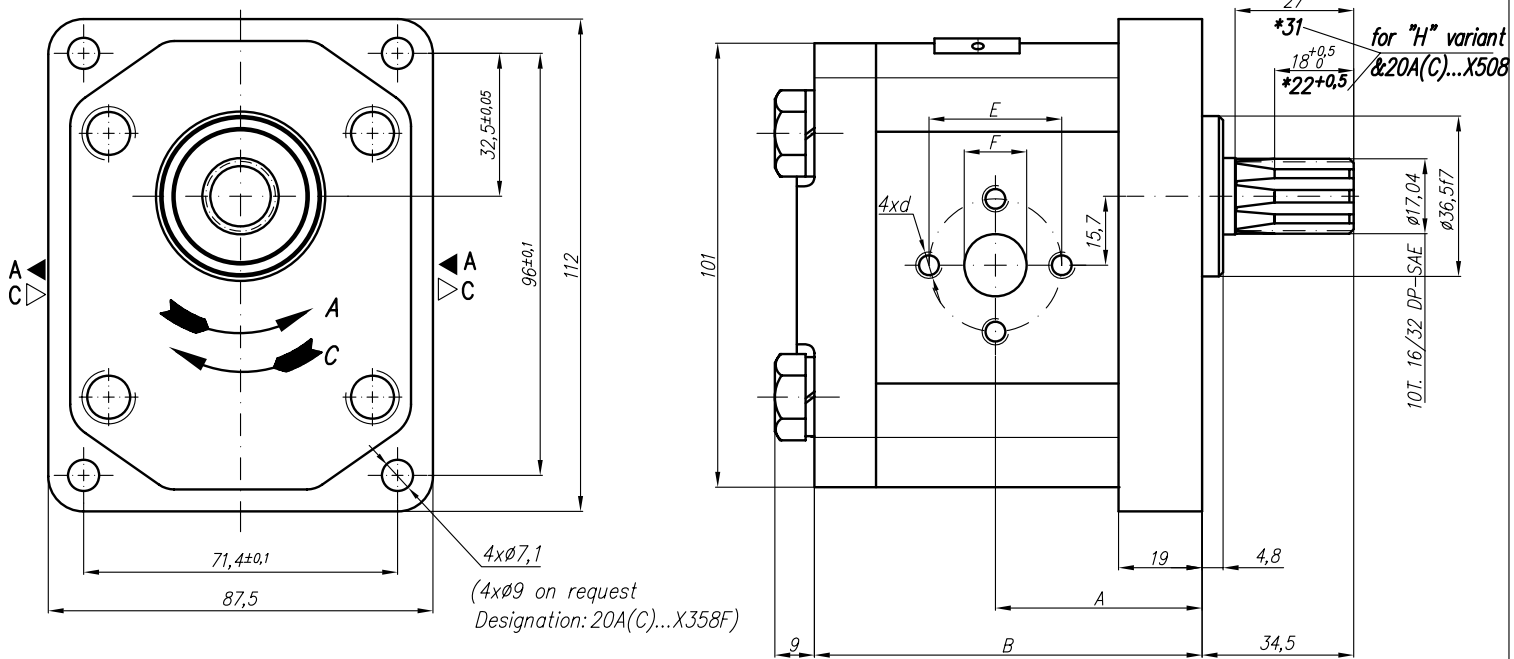
| Type | Displacement cm ³ /rev | Flow | | Pressure P _{nom} bar | max Speed n rpm | Dimension | | | | | | | |
|---------------|--------------------------------------|----------------------|---------------------|-------------------------------------|-----------------------|-----------|---------|-------|------|-------|--------|------|-------|
| | | at 1500 rpm l/min | at max rpm l/min | | | A mm | B mm | Inlet | | | Outlet | | |
| | | | | | | | | E | F | d | E | F | d |
| 20A(C)4,5X347 | 4,5 | 6,14 | 14,33 | 250 | 3500 | 42,5 | 89,3 | 30,2 | 13,1 | M6-6H | 30,2 | 13,1 | M6-6H |
| 20A(C)6,3X347 | 6,3 | 8,69 | 20,29 | 250 | 3500 | 42,5 | 89,3 | | | | | | |
| 20A(C)8,2X347 | 8,2 | 11,32 | 26,40 | 250 | 3500 | 42,5 | 89,3 | | | | | | |
| 20A(C)10X347 | 10 | 13,95 | 32,55 | 250 | 3500 | 47 | 98,2 | | | | | | |
| 20A(C)11X347 | 11,3 | 15,76 | 36,78 | 250 | 3500 | 48 | 100,3 | 39,7 | 19 | M8-6H | 30,2 | 14,2 | M6-6H |
| 20A(C)12X347 | 12 | 16,92 | 39,48 | 250 | 3500 | 48,7 | 101,6 | | | | | | |
| 20A(C)14X347 | 14 | 19,95 | 46,55 | 250 | 3500 | 50,2 | 104,7 | | | | | | |
| 20A(C)15X347 | 15 | 21,60 | 36,00 | 250 | 2500 | 51 | 106,2 | | | | | | |
| 20A(C)16X347 | 16 | 23,04 | 38,40 | 250 | 2500 | 51,8 | 107,8 | 39,7 | 19 | M8-6H | 30,2 | 14,2 | M6-6H |
| 20A(C)19X347 | 19 | 27,36 | 45,60 | 200 | 2500 | 54 | 112,8 | | | | | | |
| 20A(C)22X347 | 22 | 31,68 | 42,24 | 180 | 2000 | 56,5 | 117,8 | | | | | | |
| 20A(C)25X347 | 25 | 36,00 | 48,00 | 160 | 2000 | 58,8 | 122,7 | | | | | | |

* 20A(C)...X555(H) – variant with spline lengths 22mm and 31mm.

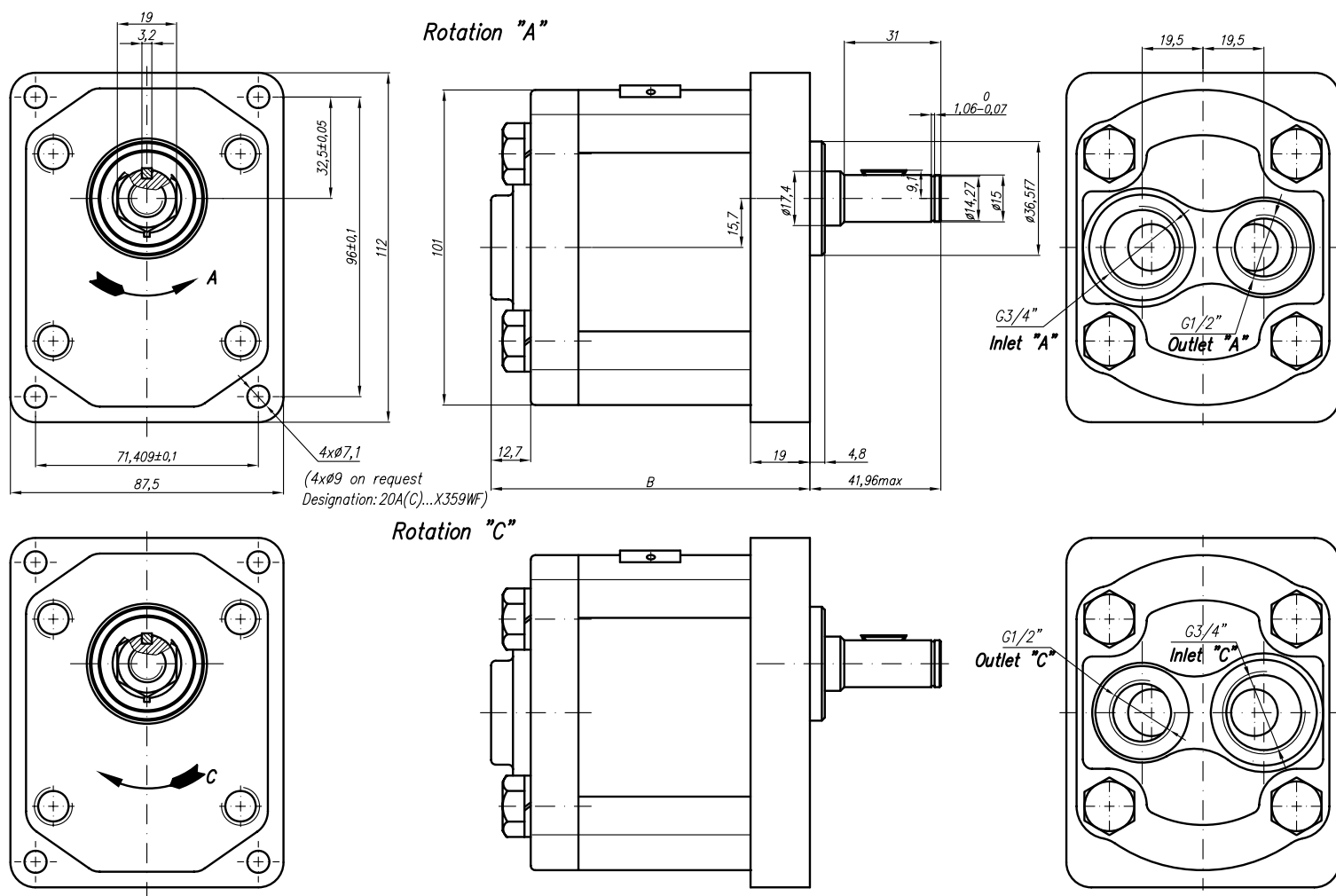


| Type | Displacement cm ³ /rev | Flow | | Pressure P _{nom} bar | max Speed n rpm | Dimension | | | | | | | | | | | | | |
|----------------|--------------------------------------|----------------------|---------------------|-------------------------------------|-----------------------|-----------|---------|-------|----|-------|--------|----|-------|----|----|-------|----|----|-------|
| | | at 1500 rpm l/min | at max rpm l/min | | | A mm | B mm | Inlet | | | Outlet | | | | | | | | |
| | | | | | | | | E | F | d | E | F | d | | | | | | |
| 20A(C)4,5X355 | 4,5 | 6,14 | 14,33 | 250 | 3500 | 42 | 79,6 | 40 | 15 | M6-6H | 35 | 15 | M6-6H | | | | | | |
| 20A(C)6,3X355 | 6,3 | 8,69 | 20,29 | 250 | 3500 | 43,6 | 82,6 | | | | | | | | | | | | |
| 20A(C)8,2X355 | 8,2 | 11,32 | 26,40 | 250 | 3500 | 45 | 85,6 | | | | | | | | | | | | |
| 20A(C)10X355 | 10 | 13,95 | 32,55 | 250 | 3500 | 46,6 | 88,7 | | | | | | | | | | | | |
| 20A(C)11X355 | 11,3 | 15,76 | 36,78 | 250 | 3500 | 47,6 | 90,7 | | | | | | | | | | | | |
| 20A(C)12X355 | 12 | 16,92 | 39,48 | 250 | 3500 | 48,2 | 91,9 | | | | | | | | | | | | |
| 20A(C)14X355 | 14 | 19,95 | 46,55 | 250 | 3500 | 49,6 | 95 | | | | | | | | | | | | |
| 20A(C)15X355 | 15 | 21,60 | 36,00 | 250 | 2500 | 50,6 | 96,5 | | | | | | | | | | | | |
| 20A(C)16X355 | 16 | 23,04 | 38,40 | 250 | 2500 | 51,6 | 98,2 | | | | | | | | | | | | |
| 20A(C)19X355 | 19 | 27,36 | 45,60 | 200 | 2500 | 53,6 | 103,1 | | | | | | | | | | | | |
| 20A(C)22X355 | 22 | 31,68 | 42,24 | 180 | 2000 | 56,6 | 108,1 | | | | | | | | | | | | |
| 20A(C)25X355 | 25 | 36,00 | 48,00 | 160 | 2000 | 58,8 | 113 | | | | | | | | | | | | |
| 20A(C)14X355H | 14 | 20,16 | 47,04 | 250 | 3500 | 54,6 | 105,3 | | | | | | | 40 | 20 | M6-6H | 35 | 15 | M6-6H |
| 20A(C)4,5X355H | 15 | 21,60 | 43,20 | 250 | 3000 | 55,6 | 106,8 | | | | | | | | | | | | |
| 20A(C)6,3X355H | 16 | 23,04 | 46,08 | 250 | 3000 | 56,6 | 108,4 | | | | | | | | | | | | |
| 20A(C)8,2X355H | 17,3 | 24,91 | 49,82 | 230 | 3000 | 57,6 | 110,5 | | | | | | | | | | | | |
| 20A(C)10X355H | 18,2 | 26,21 | 52,42 | 210 | 3000 | 58,4 | 112,1 | | | | | | | | | | | | |
| 20A(C)11X355H | 19 | 27,36 | 54,72 | 200 | 3000 | 59 | 113,4 | | | | | | | | | | | | |
| 20A(C)12X355H | 22 | 31,68 | 52,80 | 180 | 2500 | 61,5 | 118,4 | | | | | | | | | | | | |
| 20A(C)14X355H | 25 | 36,00 | 60,00 | 160 | 2500 | 63,9 | 123,3 | | | | | | | | | | | | |
| 20A(C)15X355H | 28 | 40,32 | 67,20 | 130 | 2500 | 66,4 | 128,1 | | | | | | | | | | | | |
| 20A(C)16X355H | 32 | 46,08 | 61,44 | 120 | 2000 | 69,6 | 134,4 | | | | | | | | | | | | |
| 20A(C)19X355H | 36 | 51,84 | 69,12 | 100 | 2000 | 72,8 | 141 | | | | | | | | | | | | |

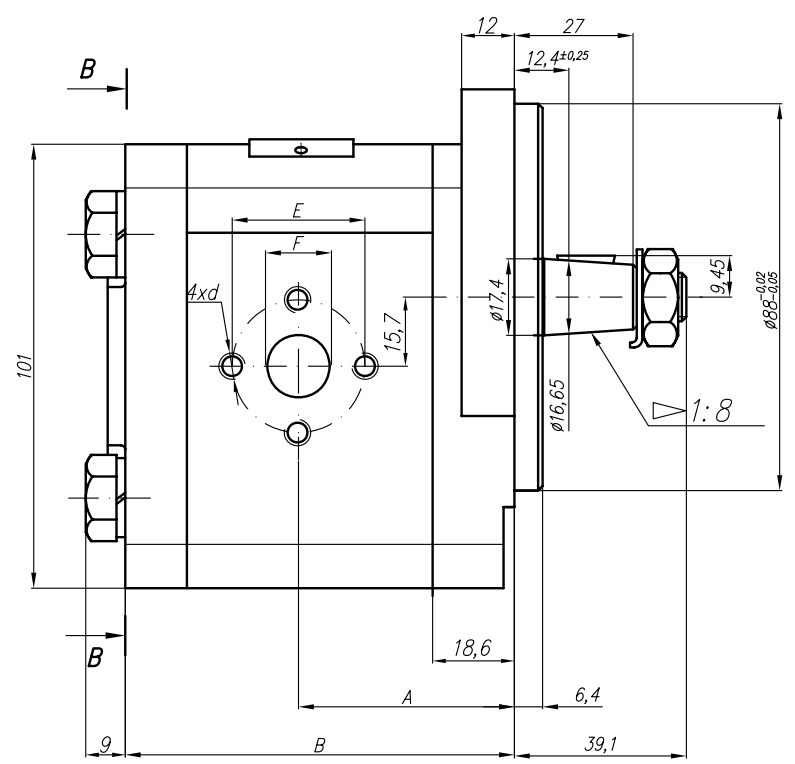
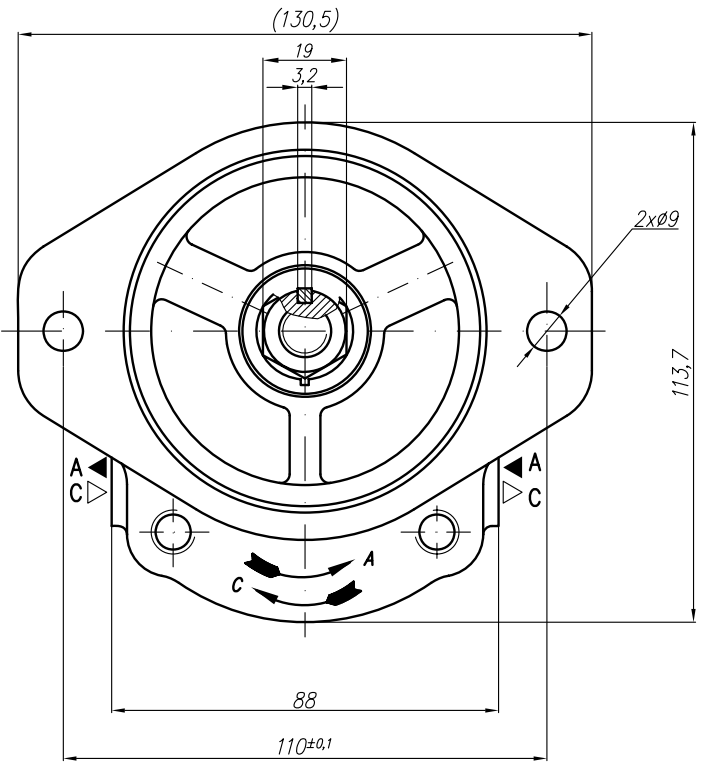
* 20A(C)...X508(HF) – variant with spline lengths 22mm and 31mm.



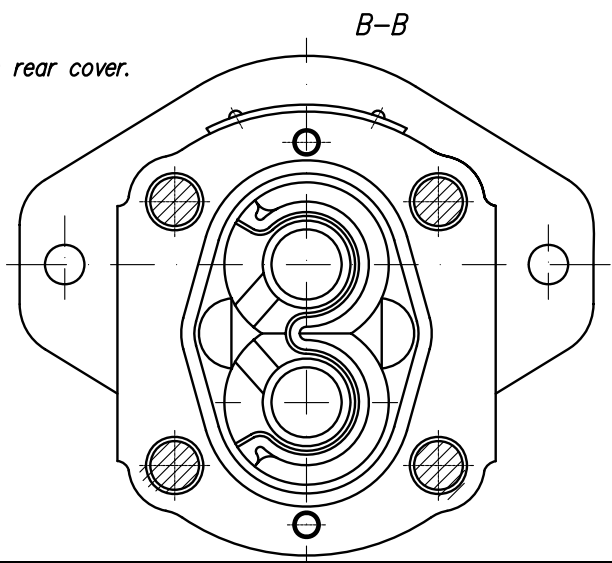
| Type | Displacement cm ³ /rev | Flow | | Pressure P _{nom} bar | max Speed n rpm | Dimension | | | | | | | |
|-----------------|--------------------------------------|----------------------|---------------------|-------------------------------------|-----------------------|-----------|---------|-------|------|-------------|--------|------|------------|
| | | at 1500 rpm l/min | at max rpm l/min | | | A mm | B mm | Inlet | | | Outlet | | |
| 20A(C)4,5X358 | 4,5 | 6,14 | 14,33 | 250 | 3500 | 42,5 | 80 | 30,2 | 13,1 | 1/4"-20UNC | 30,2 | 13,1 | 1/4"-20UNC |
| 20A(C)6,3X358 | 6,3 | 8,69 | 20,29 | 250 | 3500 | 42,5 | 80 | | | | | | |
| 20A(C)8,2X358 | 8,2 | 11,32 | 26,40 | 250 | 3500 | 42,5 | 80 | | | | | | |
| 20A(C)10X358 | 10 | 13,95 | 32,55 | 250 | 3500 | 47 | 89 | 39,7 | 19 | 5/16"-18UNC | 30,2 | 14,2 | 1/4"-20UNC |
| 20A(C)11X358 | 11,3 | 15,76 | 36,78 | 250 | 3500 | 48 | 91,1 | | | | | | |
| 20A(C)12X358 | 12 | 16,92 | 39,48 | 250 | 3500 | 48,6 | 92,3 | | | | | | |
| 20A(C)14X358 | 14 | 19,95 | 46,55 | 250 | 3500 | 50 | 95,4 | 39,7 | 19 | 5/16"-18UNC | 30,2 | 14,2 | 1/4"-20UNC |
| 20A(C)15X358 | 15 | 21,60 | 36,00 | 250 | 2500 | 51 | 96,9 | | | | | | |
| 20A(C)16X358 | 16 | 23,04 | 38,40 | 250 | 2500 | 52 | 98,6 | | | | | | |
| 20A(C)19X358 | 19 | 27,36 | 45,60 | 200 | 2500 | 54 | 103,5 | 39,7 | 19 | 5/16"-18UNC | 30,2 | 14,2 | 1/4"-20UNC |
| 20A(C)22X358 | 22 | 31,68 | 42,24 | 180 | 2000 | 57 | 108,5 | | | | | | |
| 20A(C)25X358 | 25 | 36,00 | 48,00 | 160 | 2000 | 59,2 | 113,4 | | | | | | |
| 20A(C)14X358H | 14 | 20,16 | 47,04 | 250 | 3500 | 55,3 | 105,7 | 39,7 | 19 | 5/16"-18UNC | 30,2 | 14,2 | 1/4"-20UNC |
| 20A(C)15X358H | 15 | 21,60 | 43,20 | 250 | 3000 | 56 | 107,2 | | | | | | |
| 20A(C)16X358H | 16 | 23,04 | 46,08 | 250 | 3000 | 56,9 | 108,8 | | | | | | |
| 20A(C)17,3X358H | 17,3 | 24,91 | 49,82 | 230 | 3000 | 58 | 110,9 | 39,7 | 19 | 5/16"-18UNC | 30,2 | 14,2 | 1/4"-20UNC |
| 20A(C)18,2X358H | 18,2 | 26,21 | 52,42 | 210 | 3000 | 58,8 | 112,5 | | | | | | |
| 20A(C)19X358H | 19 | 27,36 | 54,72 | 200 | 3000 | 59,4 | 113,8 | | | | | | |
| 20A(C)22X358H | 22 | 31,68 | 52,80 | 180 | 2500 | 61,9 | 118,8 | 39,7 | 19 | 5/16"-18UNC | 30,2 | 14,2 | 1/4"-20UNC |
| 20A(C)25X358H | 25 | 36,00 | 60,00 | 160 | 2500 | 64,3 | 123,7 | | | | | | |
| 20A(C)28X358H | 28 | 40,32 | 67,20 | 130 | 2500 | 66,8 | 128,5 | | | | | | |
| 20A(C)32X358H | 32 | 46,08 | 61,44 | 120 | 2000 | 70 | 134,8 | 39,7 | 19 | 5/16"-18UNC | 30,2 | 14,2 | 1/4"-20UNC |
| 20A(C)36X358H | 36 | 51,84 | 69,12 | 100 | 2000 | 73,2 | 141,4 | | | | | | |



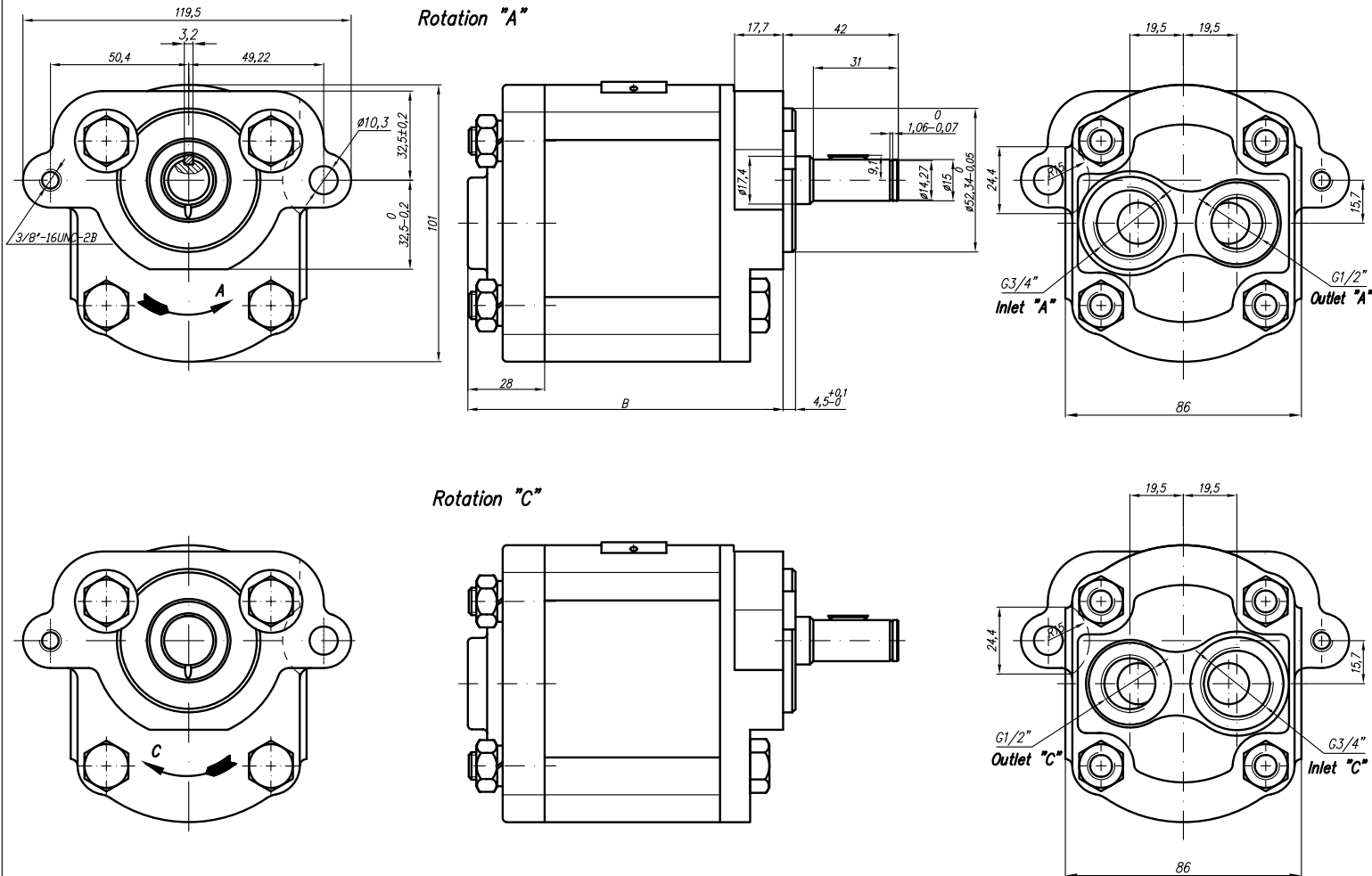
| Type | Displacement cm ³ /rev | Flow | | Pressure P _{nom} bar | max Speed n rpm | Dimension | | | | | | | |
|----------------|--------------------------------------|----------------------|---------------------|-------------------------------------|-----------------------|-----------|---------|-------|---|---|--------|---|---|
| | | at 1500 rpm l/min | at max rpm l/min | | | A mm | B mm | Inlet | | | Outlet | | |
| | | | | | | | | M | G | U | M | G | U |
| 20A(C)4,5X359W | 4,5 | 6,14 | 14,33 | 250 | 3500 | | 94 | | | | | | |
| 20A(C)6,3X359W | 6,3 | 8,69 | 20,29 | 250 | 3500 | | 97 | | | | | | |
| 20A(C)8,2X359W | 8,2 | 11,32 | 26,40 | 250 | 3500 | | 99,9 | | | | | | |
| 20A(C)10X359W | 10 | 13,95 | 32,55 | 250 | 3500 | | 102,9 | | | | | | |
| 20A(C)11X359W | 11,3 | 15,76 | 36,78 | 250 | 3500 | | 105 | | | | | | |
| 20A(C)12X359W | 12 | 16,92 | 39,48 | 250 | 3500 | | 106,3 | | | | | | |
| 20A(C)14X359W | 14 | 19,95 | 46,55 | 250 | 3500 | | 109,4 | | | | | | |
| 20A(C)15X359W | 15 | 21,60 | 36,00 | 250 | 2500 | | 110,9 | | | | | | |
| 20A(C)16X359W | 16 | 23,04 | 38,40 | 250 | 2500 | | 112,5 | | | | | | |
| 20A(C)19X359W | 19 | 27,36 | 45,60 | 200 | 2500 | | 117,5 | | | | | | |
| 20A(C)22X359W | 22 | 31,68 | 42,24 | 180 | 2000 | | 122,5 | | | | | | |
| 20A(C)25X359W | 25 | 36,00 | 48,00 | 160 | 2000 | | 127,5 | | | | | | |



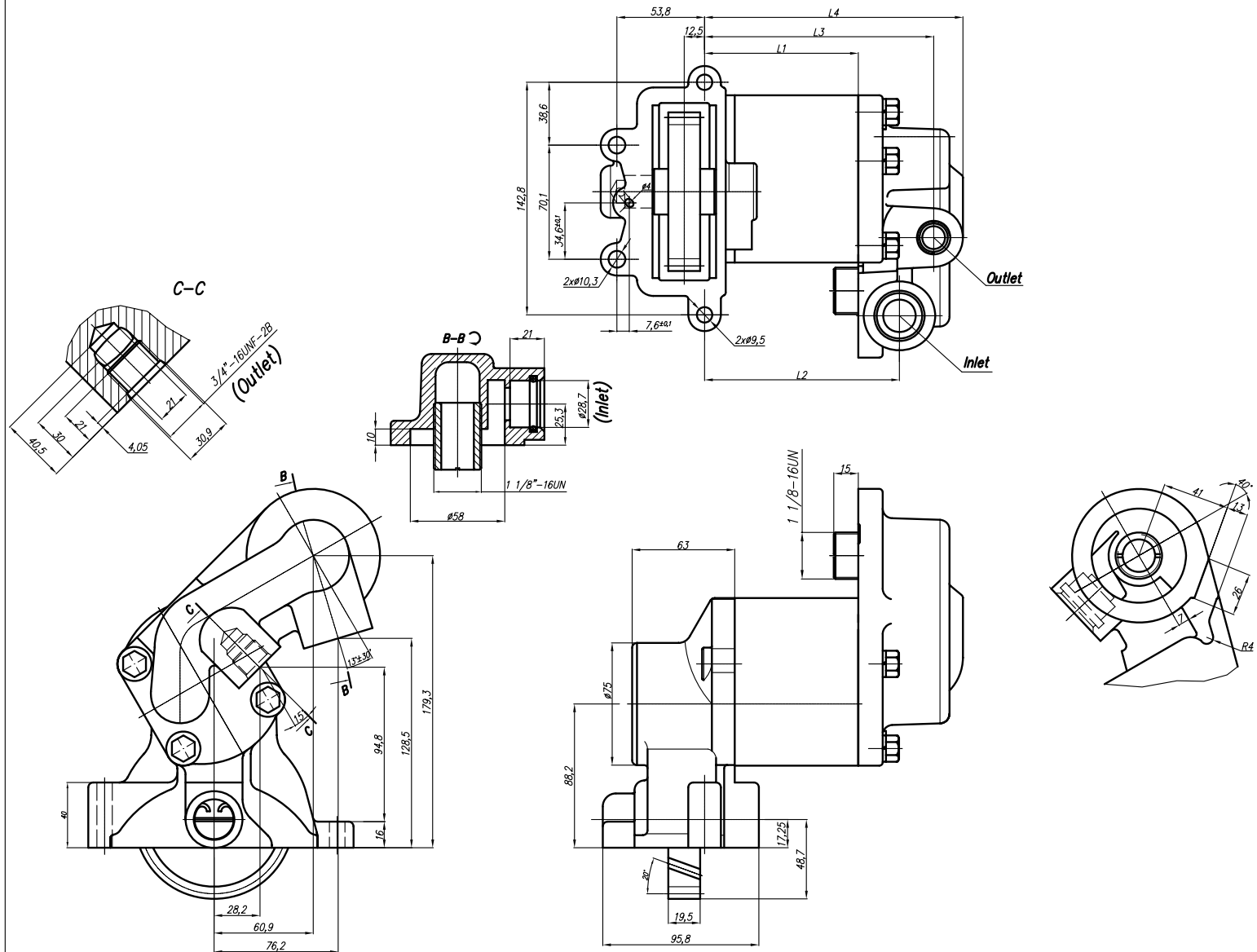
There are possible variants with integrated valves in rear cover.



| Type | Displacement cm ³ /rev | Flow | | Pressure P _{nom} bar | max Speed n rpm | Dimension | | | | | | | |
|------------------|--------------------------------------|----------------------|---------------------|-------------------------------------|-----------------------|-----------|---------|-------|------|-------|--------|------|-------|
| | | at 1500 rpm l/min | at max rpm l/min | | | A mm | B mm | Inlet | | | Outlet | | |
| | | | | | | | | E | F | d | E | F | d |
| 20A(C)4,5X364VW1 | 4,5 | 6,14 | 14,33 | 250 | 3500 | 42,5 | 80 | 30,2 | 13,1 | M6-6H | 30,2 | 13,1 | M6-6H |
| 20A(C)6,3X364VW1 | 6,3 | 8,69 | 20,29 | 250 | 3500 | 42,5 | 80 | | | | | | |
| 20A(C)8,2X364VW1 | 8,2 | 11,32 | 26,40 | 250 | 3500 | 42,5 | 80 | | | | | | |
| 20A(C)10X364VW1 | 10 | 13,95 | 32,55 | 250 | 3500 | 47 | 89 | 39,7 | 19 | M8-6H | 30,2 | 14,2 | M6-6H |
| 20A(C)11X364VW1 | 11,3 | 15,76 | 36,78 | 250 | 3500 | 48 | 91,1 | | | | | | |
| 20A(C)12X364VW1 | 12 | 16,92 | 39,48 | 250 | 3500 | 48,6 | 92,3 | | | | | | |
| 20A(C)14X364VW1 | 14 | 19,95 | 46,55 | 250 | 3500 | 50 | 95,4 | 39,7 | 19 | M8-6H | 30,2 | 14,2 | M6-6H |
| 20A(C)15X364VW1 | 15 | 21,60 | 36,00 | 250 | 2500 | 51 | 96,9 | | | | | | |
| 20A(C)16X364VW1 | 16 | 23,04 | 38,40 | 250 | 2500 | 52 | 98,6 | | | | | | |
| 20A(C)19X364VW1 | 19 | 27,36 | 45,60 | 200 | 2500 | 54 | 103,5 | 39,7 | 19 | M8-6H | 30,2 | 14,2 | M6-6H |
| 20A(C)22X364VW1 | 22 | 31,68 | 42,24 | 180 | 2000 | 57 | 108,5 | | | | | | |
| 20A(C)25X364VW1 | 25 | 36,00 | 48,00 | 160 | 2000 | 59,2 | 113,4 | | | | | | |

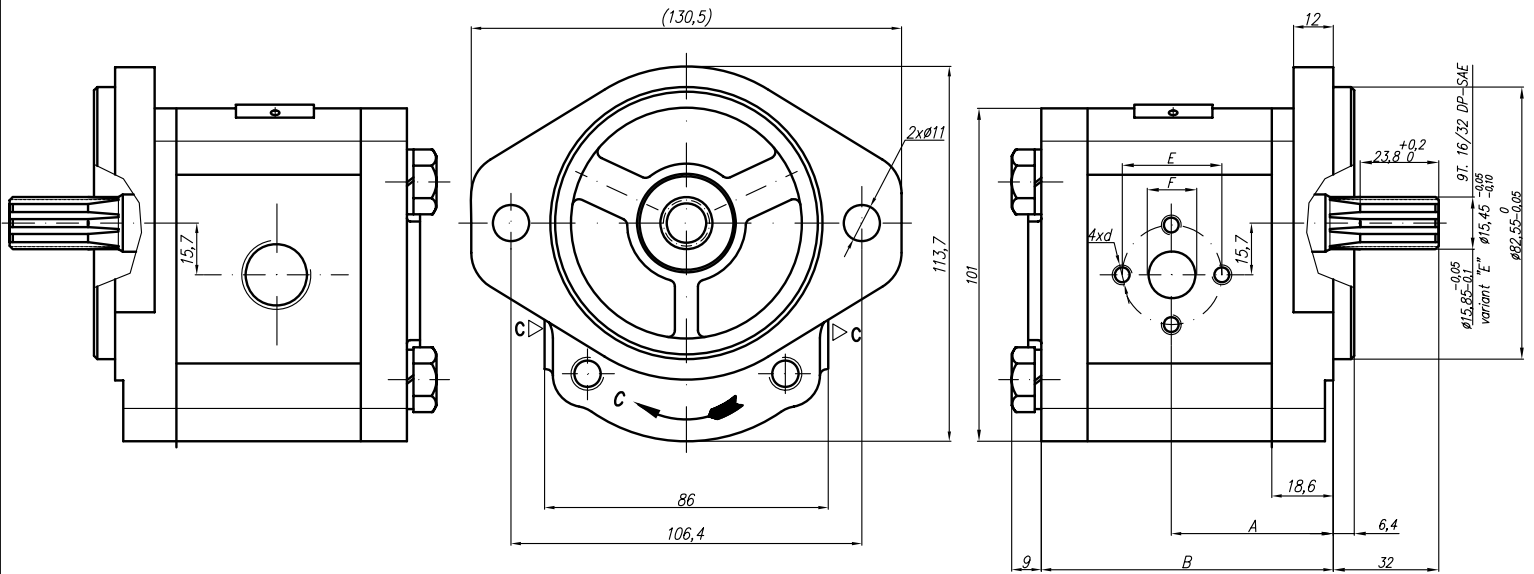


| Type | Displacement cm ³ /rev | Flow | | Pressure P _{nom} bar | max Speed n rpm | Dimension | | | | | | | |
|---------------|--------------------------------------|----------------------|---------------------|-------------------------------------|-----------------------|-----------|---------|-------|---|----|--------|---|----|
| | | at 1500 rpm l/min | at max rpm l/min | | | A mm | B mm | Inlet | | | Outlet | | |
| | | | | | | | | M | G | G1 | M | G | G1 |
| 20A(C)4,5X369 | 4,5 | 6,14 | 14,33 | 250 | 3500 | | 70 | | | | | | |
| 20A(C)6,3X369 | 6,3 | 8,69 | 20,29 | 250 | 3500 | | 73 | | | | | | |
| 20A(C)8,2X369 | 8,2 | 11,32 | 26,40 | 250 | 3500 | | 76 | | | | | | |
| 20A(C)10X369 | 10 | 13,95 | 32,55 | 250 | 3500 | | 79 | | | | | | |
| 20A(C)11X369 | 11,3 | 15,76 | 36,78 | 250 | 3500 | | 81 | | | | | | |
| 20A(C)12X369 | 12 | 16,92 | 39,48 | 250 | 3500 | | 82,3 | | | | | | |
| 20A(C)14X369 | 14 | 19,95 | 46,55 | 250 | 3500 | | 85,4 | | | | | | |
| 20A(C)15X369 | 15 | 21,60 | 36,00 | 250 | 2500 | | 87 | | | | | | |
| 20A(C)16X369 | 16 | 23,04 | 38,40 | 250 | 2500 | | 88,4 | | | | | | |
| 20A(C)19X369 | 19 | 27,36 | 45,60 | 200 | 2500 | | 93,5 | | | | | | |
| 20A(C)22X369 | 22 | 31,68 | 42,24 | 180 | 2000 | | 98,5 | | | | | | |
| 20A(C)25X369 | 25 | 36,00 | 48,00 | 160 | 2000 | | 103,4 | | | | | | |

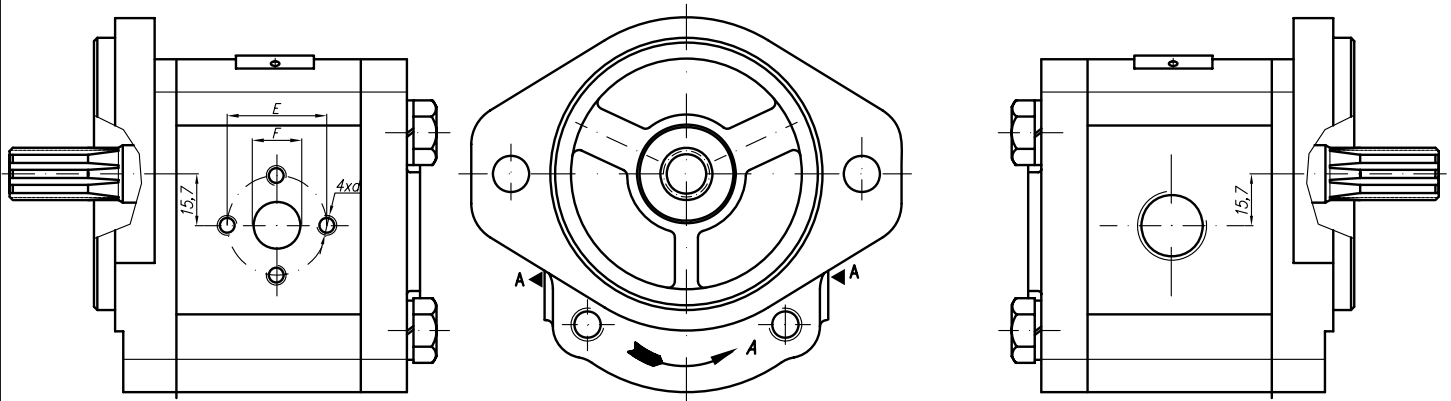


| Type | Displacement cm ³ /rev | Flow | | Pressure P _{nom} bar | max Speed n rpm | Dimension | | | | | |
|---------------|--------------------------------------|----------------------|---------------------|-------------------------------------|-----------------------|-----------|----------|----------|----------|------------|-----------------|
| | | at 1500 rpm l/min | at max rpm l/min | | | L1 mm | L2 mm | L3 mm | L4 mm | Inlet d | Outlet U |
| 20C15X409HF | 15 | 20,48 | 34,13 | 250 | 2500 | 92,7 | 118 | 139 | 157 | 28,7 | 3/4" - 16UNF-2B |
| 20C16X409HF | 16 | 22,08 | 36,80 | 250 | 2500 | 94,3 | 119,6 | 141 | 159 | | |
| 20C17,3X409HF | 17,3 | 23,87 | 39,79 | 230 | 2500 | 96,4 | 121,7 | 143 | 161 | | |
| 20C18,2X409HF | 18,2 | 25,39 | 42,32 | 200 | 2500 | 98 | 123,3 | 144 | 162 | | |
| 20C19X409HF | 19 | 26,51 | 44,18 | 200 | 2500 | 99,3 | 124,6 | 146 | 164 | | |
| 20C22X409HF | 22 | 31,02 | 41,36 | 180 | 2000 | | | | | | |
| 20C25X409HF | 25 | 35,63 | 47,50 | 160 | 2000 | | | | | | |
| 20C28X409HF | 28 | 40,32 | 53,76 | 120 | 2000 | | | | | | |
| 20C32X409HF | 32 | 46,08 | 46,08 | 100 | 1500 | | | | | | |
| 20C36X409HF | 36 | 51,84 | 51,84 | 80 | 1500 | | | | | | |

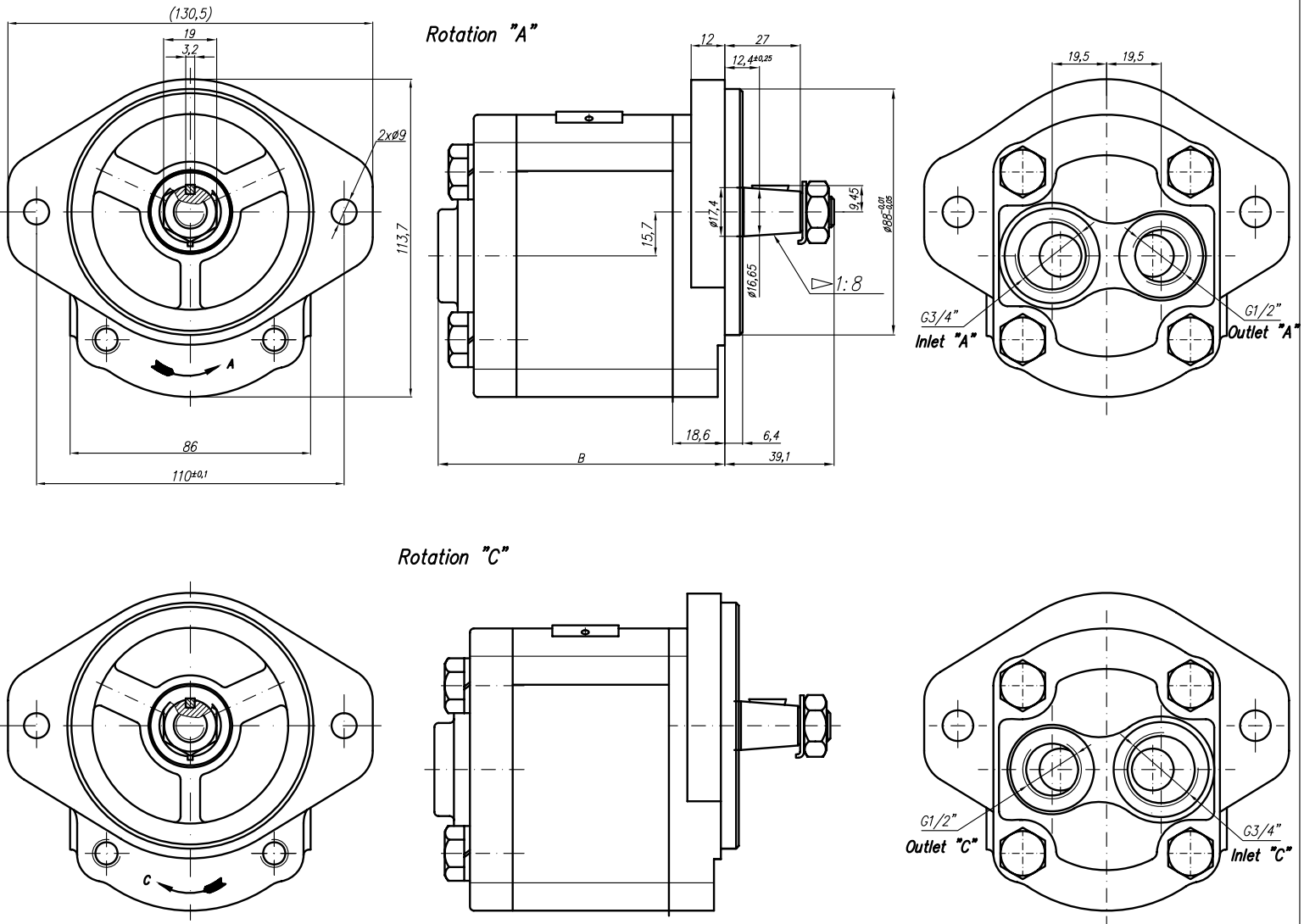
Rotation "C"



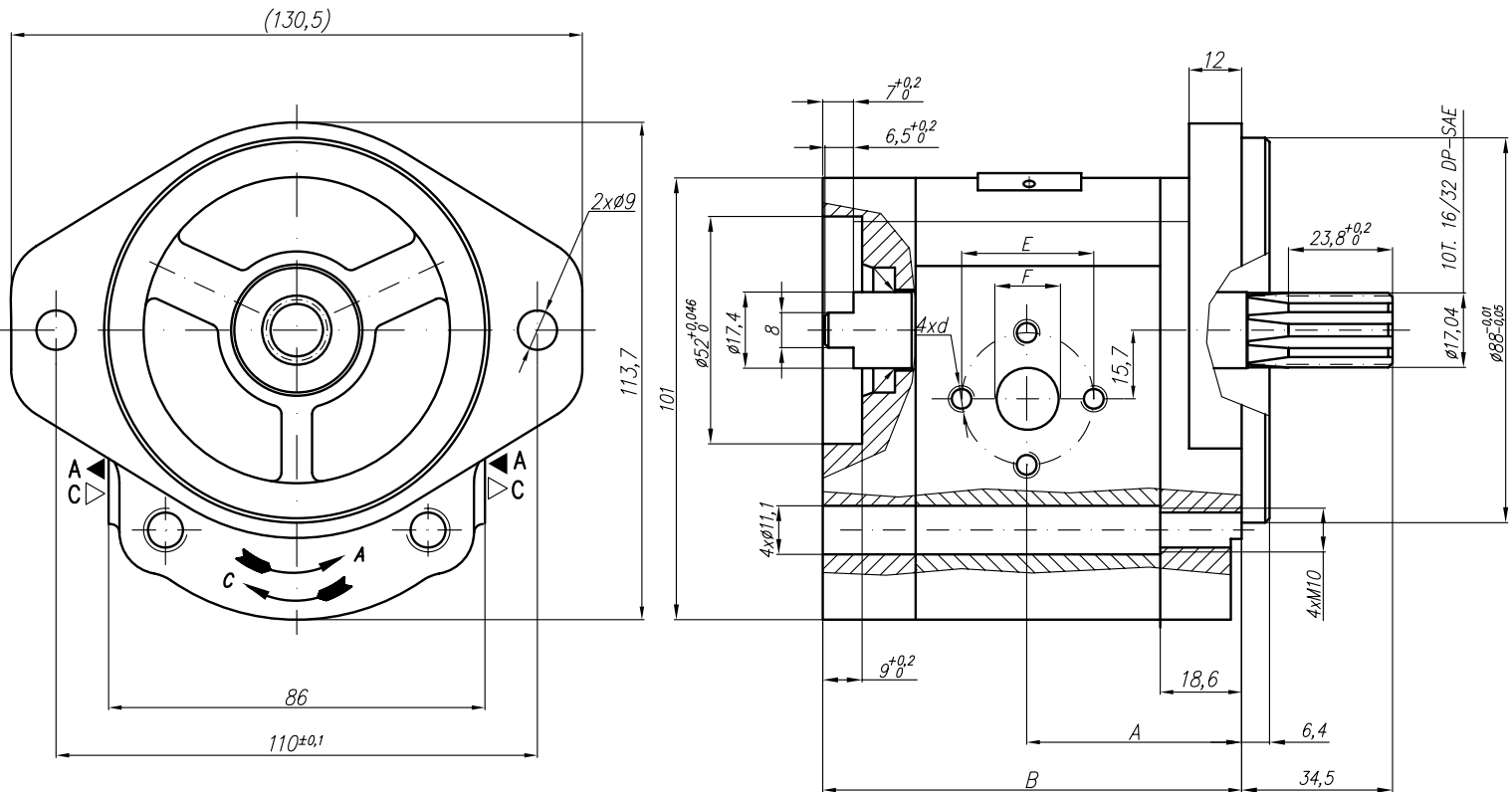
Rotation "A"



| Type | Displacement cm ³ /rev | Flow | | Pressure P _{nom} bar | max Speed n rpm | Dimension | | | | | | | | |
|---------------|--------------------------------------|----------------------|---------------------|-------------------------------------|-----------------------|-----------|---------|-------|------|-------|--------|--|--|--|
| | | at 1500 rpm l/min | at max rpm l/min | | | A mm | B mm | Inlet | | | Outlet | | | |
| | | | | | | E | F | d | M | G | U | | | |
| 20A(C)4,5X419 | 4,5 | 6,14 | 14,33 | 250 | 3500 | 42,1 | 79,6 | 30,2 | 13,1 | M6-6H | G1/2 | | | |
| 20A(C)6,3X419 | 6,3 | 8,69 | 20,29 | 250 | 3500 | 42,1 | 79,6 | | | | | | | |
| 20A(C)8,2X419 | 8,2 | 11,32 | 26,40 | 250 | 3500 | 42,1 | 79,6 | | | | | | | |
| 20A(C)10X419 | 10 | 13,95 | 32,55 | 250 | 3500 | 46,6 | 88,7 | 39,7 | 19 | M8-6H | | | | |
| 20A(C)11X419 | 11,3 | 15,76 | 36,78 | 250 | 3500 | 47,6 | 90,7 | | | | | | | |
| 20A(C)12X419 | 12 | 16,92 | 39,48 | 250 | 3500 | 48,2 | 91,9 | | | | | | | |
| 20A(C)14X419 | 14 | 19,95 | 46,55 | 250 | 3500 | 49,6 | 95 | | | | | | | |
| 20A(C)15X419 | 15 | 21,60 | 36,00 | 250 | 2500 | 50,6 | 96,5 | | | | | | | |
| 20A(C)16X419 | 16 | 23,04 | 38,40 | 250 | 2500 | 51,6 | 98,2 | | | | | | | |
| 20A(C)19X419 | 19 | 27,36 | 45,60 | 200 | 2500 | 53,6 | 103,1 | | | | | | | |
| 20A(C)22X419 | 22 | 31,68 | 42,24 | 180 | 2000 | 56,6 | 108,1 | | | | | | | |
| 20A(C)25X419 | 25 | 36,00 | 48,00 | 160 | 2000 | 58,8 | 113 | | | | | | | |

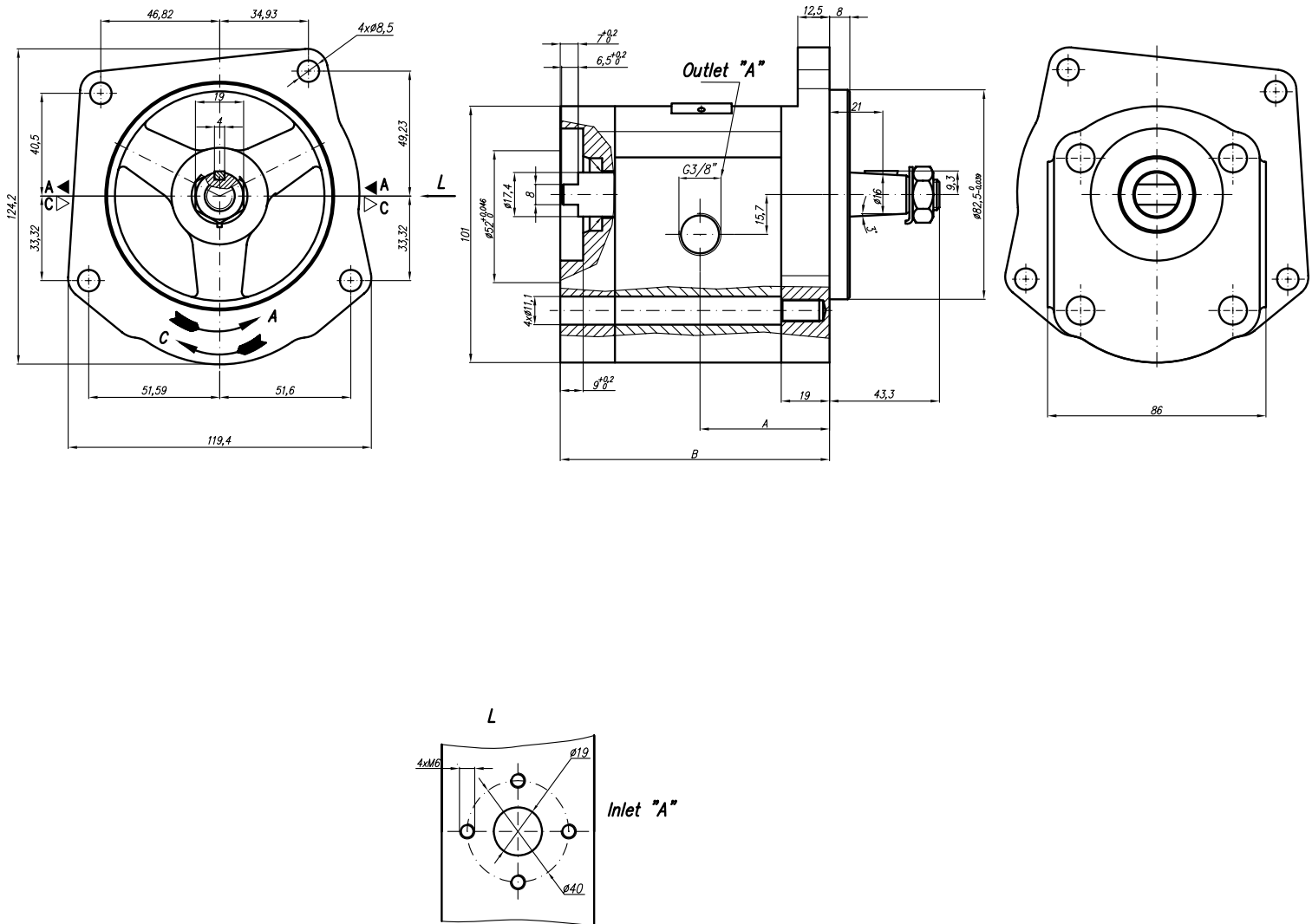


| Type | Displacement cm ³ /rev | Flow | | Pressure P _{nom} bar | max Speed n rpm | Dimension | | | | | | | |
|-----------------|--------------------------------------|----------------------|---------------------|-------------------------------------|-----------------------|-----------|---------|---|--------|----|---|---|----|
| | | at 1500 rpm l/min | at max rpm l/min | | | Inlet | | | Outlet | | | | |
| | | | | | | A mm | B mm | M | G | G1 | M | G | G1 |
| 20A(C)4,5X423VW | 4,5 | 6,14 | 14,33 | 250 | 3500 | | 93,6 | | | | | | |
| 20A(C)6,3X423VW | 6,3 | 8,69 | 20,29 | 250 | 3500 | | 96,6 | | | | | | |
| 20A(C)8,2X423VW | 8,2 | 11,32 | 26,40 | 250 | 3500 | | 99,5 | | | | | | |
| 20A(C)10X423VW | 10 | 13,95 | 32,55 | 250 | 3500 | | 102,5 | | | | | | |
| 20A(C)11X423VW | 11,3 | 15,76 | 36,78 | 250 | 3500 | | 104,6 | | | | | | |
| 20A(C)12X423VW | 12 | 16,92 | 39,48 | 250 | 3500 | | 105,9 | | | | | | |
| 20A(C)14X423VW | 14 | 19,95 | 46,55 | 250 | 3500 | | 108,9 | | | | | | |
| 20A(C)15X423VW | 15 | 21,60 | 36,00 | 250 | 2500 | | 110,5 | | | | | | |
| 20A(C)16X423VW | 16 | 23,04 | 38,40 | 250 | 2500 | | 112,1 | | | | | | |
| 20A(C)19X423VW | 19 | 27,36 | 45,60 | 200 | 2500 | | 117,1 | | | | | | |
| 20A(C)22X423VW | 22 | 31,68 | 42,24 | 180 | 2000 | | 122,1 | | | | | | |
| 20A(C)25X423VW | 25 | 36,00 | 48,00 | 160 | 2000 | | 127 | | | | | | |



| Type | Displacement cm ³ /rev | Flow | | Pressure P _{nom} bar | max Speed n rpm | Dimension | | | | | | | |
|----------------|--------------------------------------|----------------------|---------------------|-------------------------------------|-----------------------|-----------|---------|-------|------|-------|--------|------|-------|
| | | at 1500 rpm l/min | at max rpm l/min | | | A mm | B mm | Inlet | | | Outlet | | |
| | | | | | | | | E | F | d | E | F | d |
| 20A(C)4,5X429V | 4,5 | 6,14 | 14,33 | 250 | 3500 | 42,5 | 87,2 | 30,2 | 13,1 | M6-6H | 30,2 | 13,1 | |
| 20A(C)6,3X429V | 6,3 | 8,69 | 20,29 | 250 | 3500 | 42,5 | 87,2 | | | | | | |
| 20A(C)8,2X429V | 8,2 | 11,32 | 26,40 | 250 | 3500 | 42,5 | 87,2 | | | | | | |
| 20A(C)10X429V | 10 | 13,95 | 32,55 | 250 | 3500 | 47 | 96,2 | 39,7 | 19 | M8-6H | 30,2 | 14,2 | M6-6H |
| 20A(C)11X429V | 11,3 | 15,76 | 36,78 | 250 | 3500 | 48 | 98,3 | | | | | | |
| 20A(C)12X429V | 12 | 16,92 | 39,48 | 250 | 3500 | 48,7 | 99,5 | | | | | | |
| 20A(C)14X429V | 14 | 19,95 | 46,55 | 250 | 3500 | 50,2 | 102,5 | 39,7 | 19 | M8-6H | 30,2 | 14,2 | M6-6H |
| 20A(C)15X429V | 15 | 21,60 | 36,00 | 250 | 2500 | 51 | 104,1 | | | | | | |
| 20A(C)16X429V | 16 | 23,04 | 38,40 | 250 | 2500 | 51,8 | 105,8 | | | | | | |
| 20A(C)19X429V | 19 | 27,36 | 45,60 | 200 | 2500 | 54 | 110,7 | 39,7 | 19 | M8 | 39,7 | 19 | M8 |
| 20A(C)22X429V | 22 | 31,68 | 42,24 | 180 | 2000 | 56,5 | 115,7 | | | | | | |
| 20A(C)25X429V | 25 | 36,00 | 48,00 | 160 | 2000 | 58,8 | 120,6 | | | | | | |

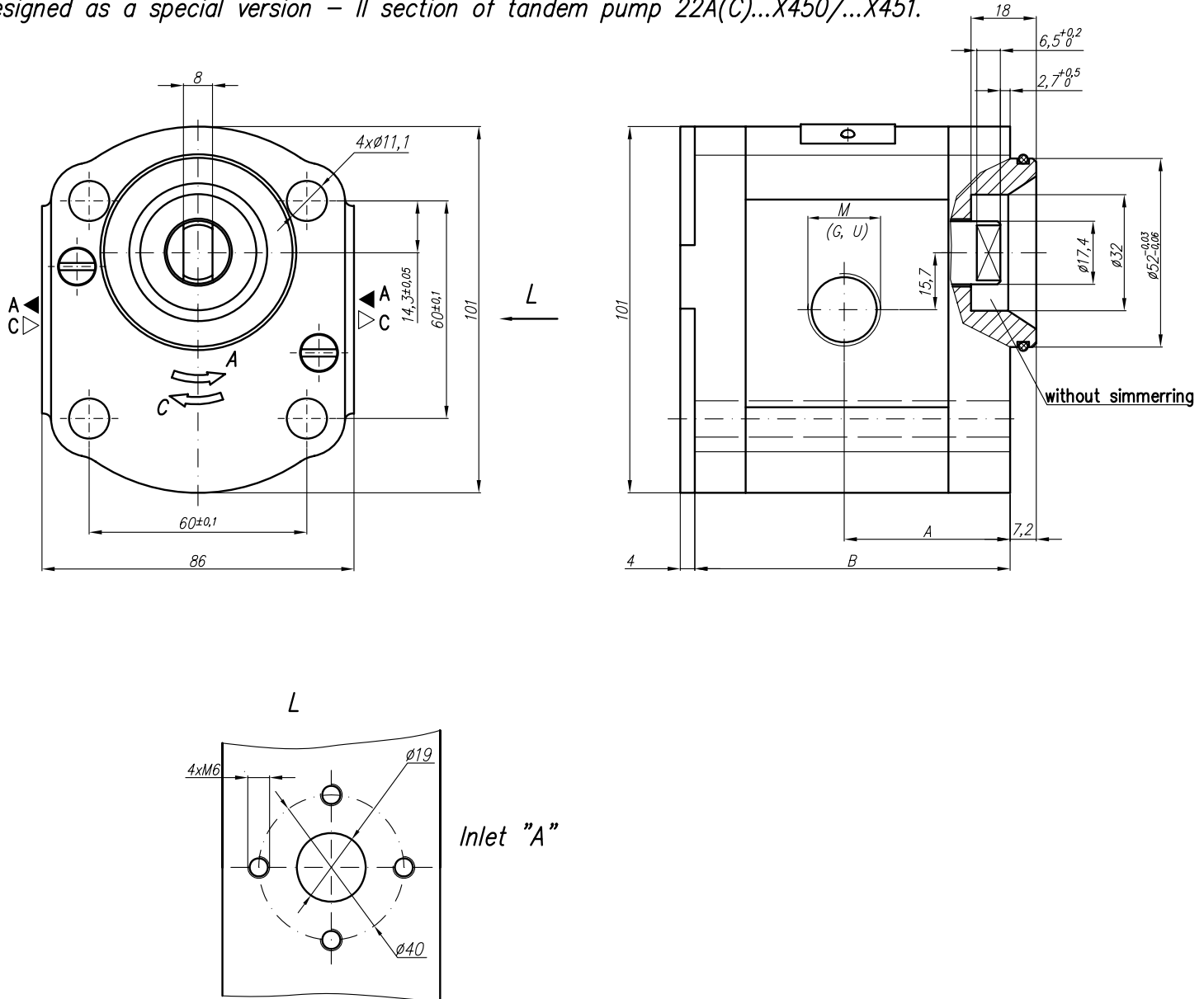
Designed as a special version – 1 section of tandem pump 22A(C)...X450/...X451.



* These pressures recommended for direct drive with gear.

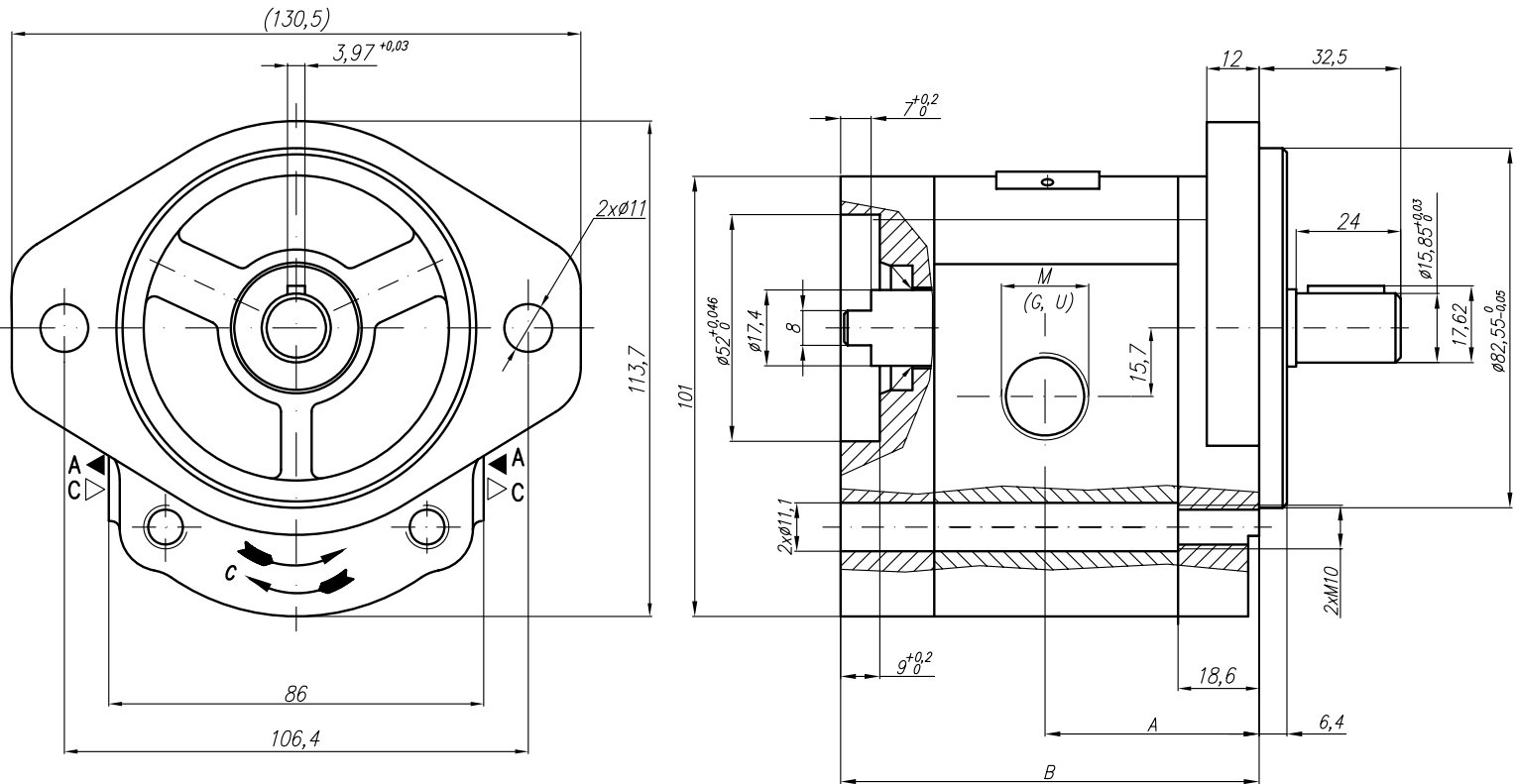
| Type | Displacement cm ³ /rev | Flow | | Pressure P _{nom} bar | max Speed n rpm | Dimension | | | | | | | |
|--------------|--------------------------------------|----------------------|---------------------|-------------------------------------|-----------------------|-----------|---------|----|--------|-------|---|------|---|
| | | at 1500 rpm l/min | at max rpm l/min | | | Inlet | | | Outlet | | | | |
| | | | | | | A mm | B mm | E | F | d | M | G | U |
| 20A(C)15X450 | 15 | 21,60 | 36,00 | 250(175*) | 2500 | 51 | 104,1 | 40 | 19 | M6-6H | | G3/8 | |
| 20A(C)16X450 | 16 | 23,04 | 38,40 | 250(175*) | 2500 | 51 | 105,7 | | | | | | |
| | | | | | | | | | | | | | |
| 20A(C)25X450 | 25 | 36,00 | 48,00 | 160(100*) | 2000 | 59,2 | 120,6 | | | | | | |

Designed as a special version – II section of tandem pump 22A(C)...X450/...X451.

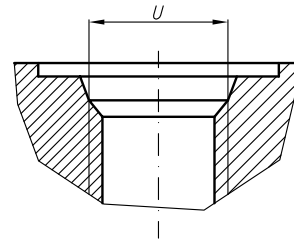


* These pressures recommended for direct drive with gear.

| Type | Displacement cm ³ /rev | Flow | | Pressure P _{nom} bar | max Speed n rpm | Dimension | | | | | | | |
|--------------|--------------------------------------|----------------------|---------------------|-------------------------------------|-----------------------|-----------|---------|-------|----|-------|--------|------|---|
| | | at 1500 rpm l/min | at max rpm l/min | | | A mm | B mm | Inlet | | | Outlet | | |
| | | | | | | | | E | F | d | M | G | U |
| 20A(C)11X451 | 11,3 | 15,76 | 26,27 | 250(175*) | 2500 | 46 | 89 | | | | | | |
| 20A(C)15X451 | 15 | 21,60 | 36,00 | 250(175*) | 2500 | 49 | 94,9 | 40 | 19 | M6-6H | | G3/8 | |
| 20A(C)16X451 | 16 | 23,04 | 38,40 | 250(175*) | 2500 | 49 | 96,5 | | | | | | |
| | | | | | | | | | | | | | |
| 20A(C)25X451 | 25 | 36,00 | 48,00 | 160(100*) | 2000 | 57,2 | 111,4 | | | | | | |

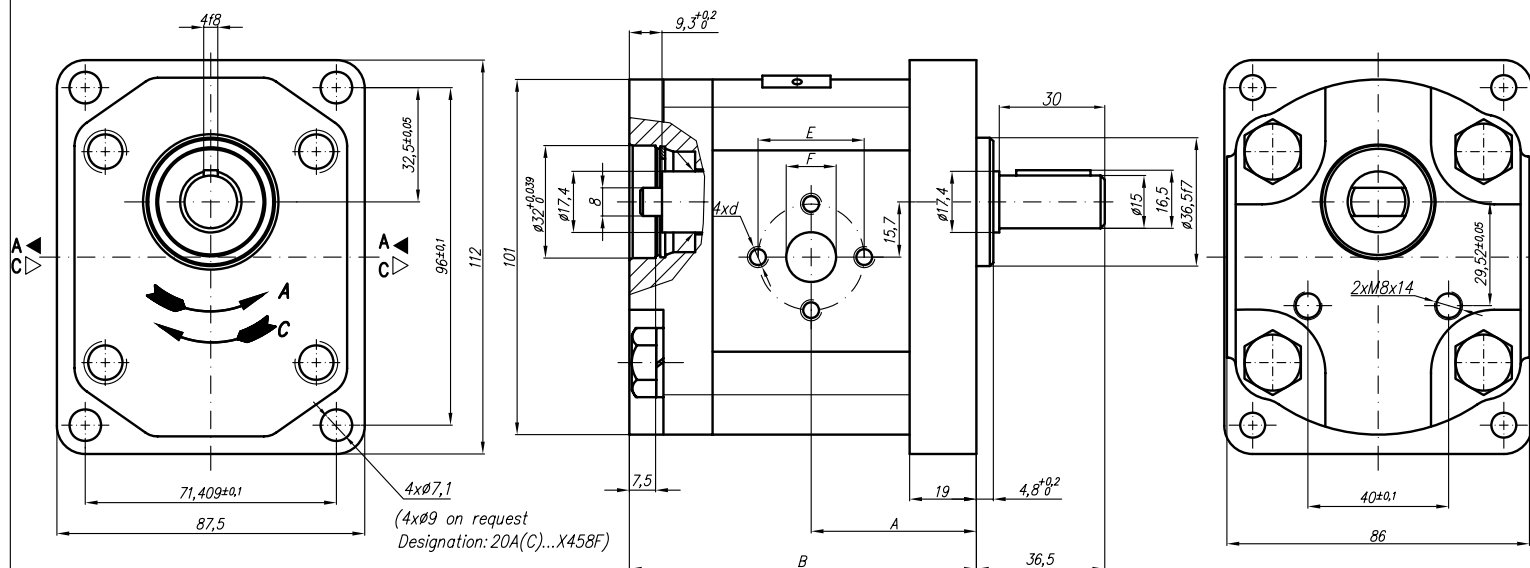


SAE J475 (ISO R725)

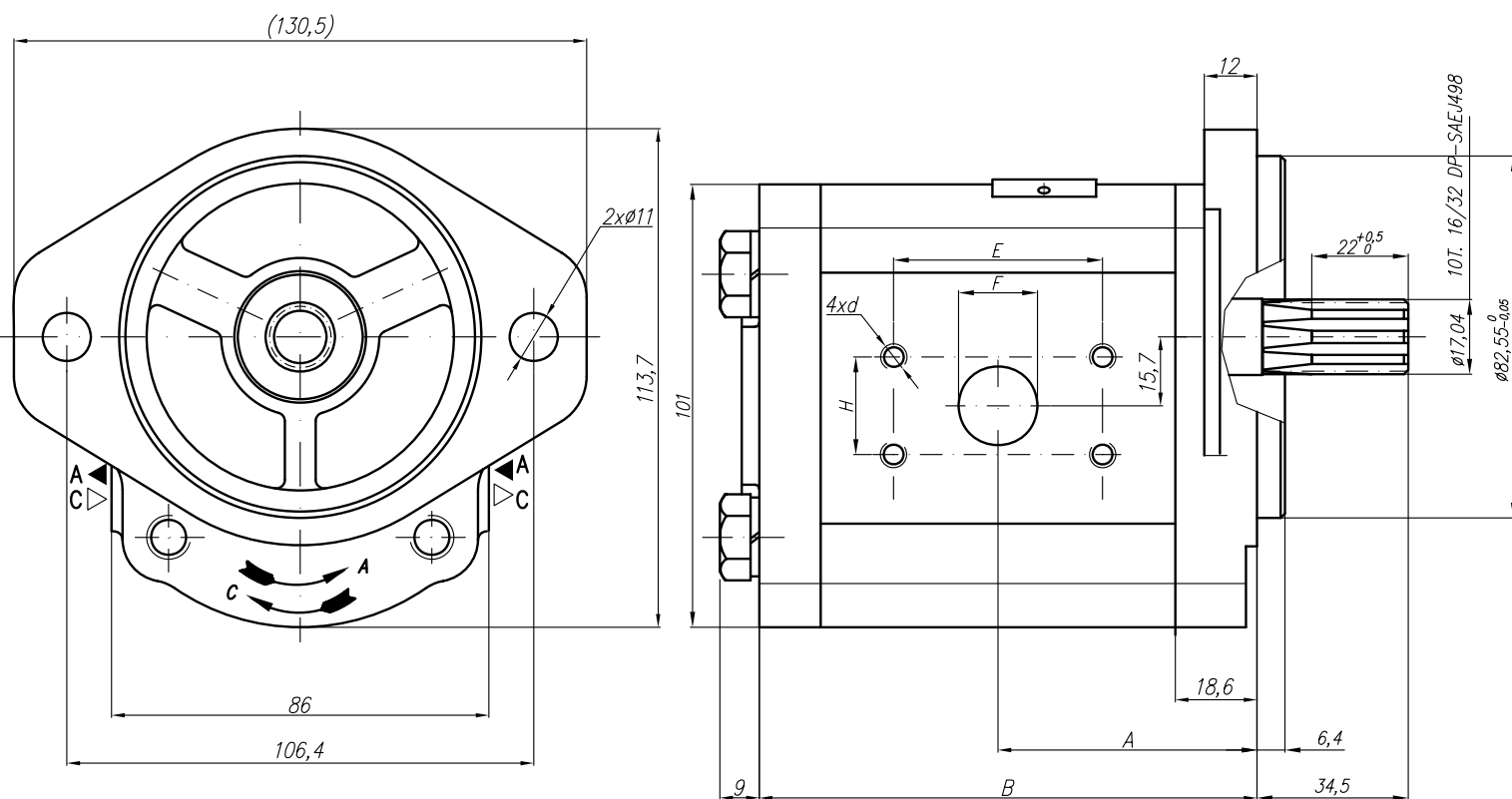


| Type | Displacement cm ³ /rev | Flow | | Pressure P _{nom} bar | max Speed n rpm | Dimension | | | | | | | | | | | | |
|------------------|--------------------------------------|----------------------|---------------------|-------------------------------------|-----------------------|-----------|---------|---------|---------|---------------|---------|------|------------|--|--|--|--|--|
| | | at 1500 rpm l/min | at max rpm l/min | | | A mm | B mm | Inlet | | | Outlet | | | | | | | |
| | | | | | | | | M | G | U | M | G | U | | | | | |
| 20A(C)4,5X457... | 4,5 | 6,14 | 14,33 | 250 | 3500 | 41,4 | 86,8 | M20x1,5 | G1/2 | 1 1/16"-12UNF | M16x1,5 | G1/2 | 7/8"-14UNF | | | | | |
| 20A(C)6,3X457... | 6,3 | 8,69 | 20,29 | 250 | 3500 | 42,6 | 86,8 | | | | | | | | | | | |
| 20A(C)8,2X457... | 8,2 | 11,32 | 26,40 | 250 | 3500 | 44,7 | 86,8 | | | | | | | | | | | |
| 20A(C)10X457... | 10 | 13,95 | 32,55 | 250 | 3500 | 49,1 | 95,8 | | G3/4 | | | | | | | | | |
| 20A(C)11X457... | 11,3 | 15,76 | 36,78 | 250 | 3500 | 49,1 | 97,9 | | | | | | | | | | | |
| 20A(C)12X457... | 12 | 16,92 | 39,48 | 250 | 3500 | 49,1 | 99,1 | | M20X1,5 | | | | | | | | | |
| 20A(C)14X457... | 14 | 19,95 | 46,55 | 250 | 3500 | 49,1 | 102,1 | | | | | | | | | | | |
| 20A(C)15X457... | 15 | 21,60 | 36,00 | 250 | 2500 | 49,1 | 103,7 | | M20X1,5 | | | | | | | | | |
| 20A(C)16X457... | 16 | 23,04 | 38,40 | 250 | 2500 | 49,1 | 105,3 | | | | | | | | | | | |
| 20A(C)19X457... | 19 | 27,36 | 45,60 | 200 | 2500 | 49,1 | 110,3 | | M20X1,5 | | | | | | | | | |
| 20A(C)22X457... | 22 | 31,68 | 42,24 | 180 | 2000 | 56,6 | 115,3 | | | | | | | | | | | |
| 20A(C)25X457... | 25 | 36,00 | 48,00 | 160 | 2000 | 58,8 | 120,2 | | | | | | | | | | | |

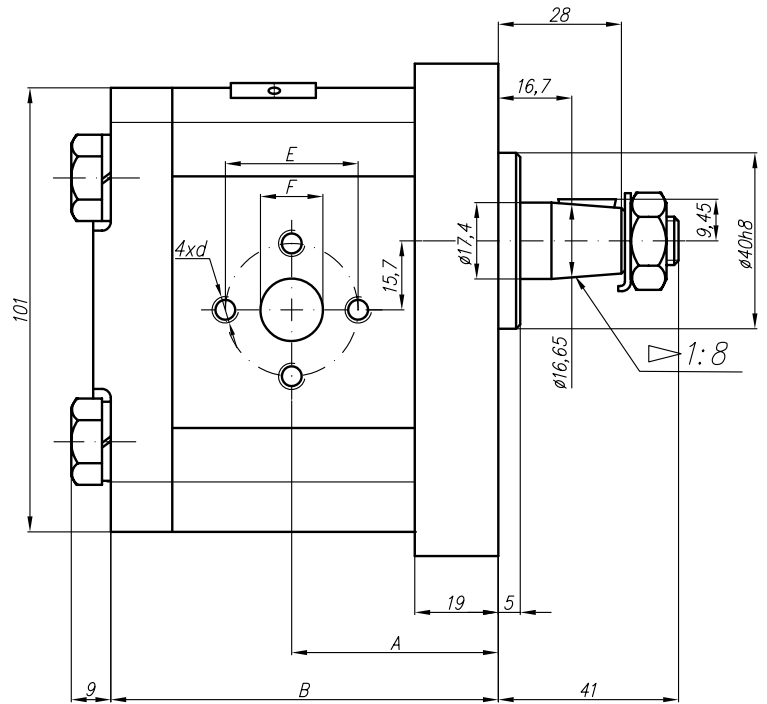
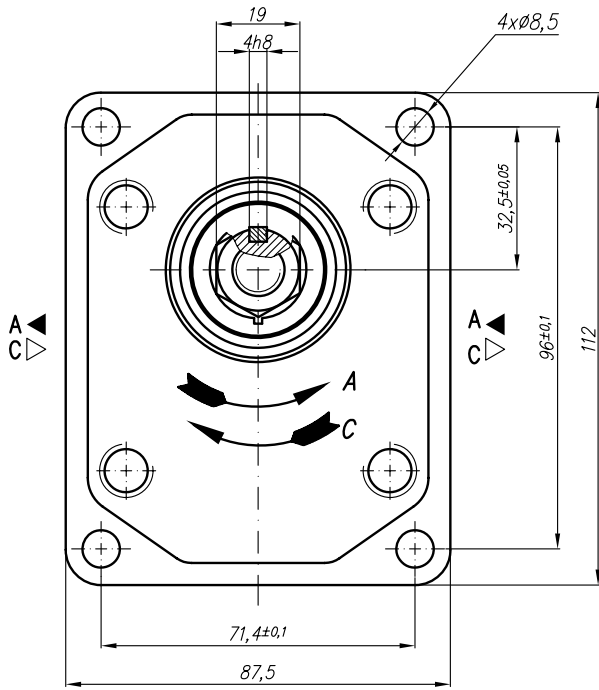
Designed as a first section of tandem pumps group 21A(C)...X458/... (lgroup/lgroup).



| Type | Displacement cm ³ /rev | Flow | | Pressure P _{nom} bar | max Speed n rpm | Dimension | | | | | | | |
|---------------|--------------------------------------|----------------------|---------------------|-------------------------------------|-----------------------|-----------|---------|-------|------|-------|--------|------|-------|
| | | at 1500 rpm l/min | at max rpm l/min | | | A mm | B mm | Inlet | | | Outlet | | |
| | | | | | | | | E | F | d | E | F | d |
| 20A(C)4,5X458 | 4,5 | 6,14 | 14,33 | 250 | 3500 | 42,5 | 89,7 | 30,2 | 13,1 | M6-6H | 30,2 | 13,1 | M6-6H |
| 20A(C)6,3X458 | 6,3 | 8,69 | 20,29 | 250 | 3500 | 42,5 | 89,7 | | | | | | |
| 20A(C)8,2X458 | 8,2 | 11,32 | 26,40 | 250 | 3500 | 42,5 | 89,7 | | | | | | |
| 20A(C)10X458 | 10 | 13,95 | 32,55 | 250 | 3500 | 47 | 98,7 | | | | | | |
| 20A(C)11X458 | 11,3 | 15,76 | 36,78 | 250 | 3500 | 48 | 100,7 | 39,7 | 19 | M8-6H | 30,2 | 14,2 | M6-6H |
| 20A(C)12X458 | 12 | 16,92 | 39,48 | 250 | 3500 | 48,6 | 102 | | | | | | |
| 20A(C)14X458 | 14 | 19,95 | 46,55 | 250 | 3500 | 50 | 105,1 | | | | | | |
| 20A(C)15X458 | 15 | 21,60 | 36,00 | 250 | 2500 | 51 | 106,6 | | | | | | |
| 20A(C)16X458 | 16 | 23,04 | 38,40 | 250 | 2500 | 52 | 108,3 | 39,7 | 19 | M8 | 39,7 | 19 | M8 |
| 20A(C)19X458 | 19 | 27,36 | 45,60 | 200 | 2500 | 54 | 113,2 | | | | | | |
| 20A(C)22X458 | 22 | 31,68 | 42,24 | 180 | 2000 | 57 | 118,2 | | | | | | |
| 20A(C)25X458 | 25 | 36,00 | 48,00 | 160 | 2000 | 59,2 | 123,1 | | | | | | |

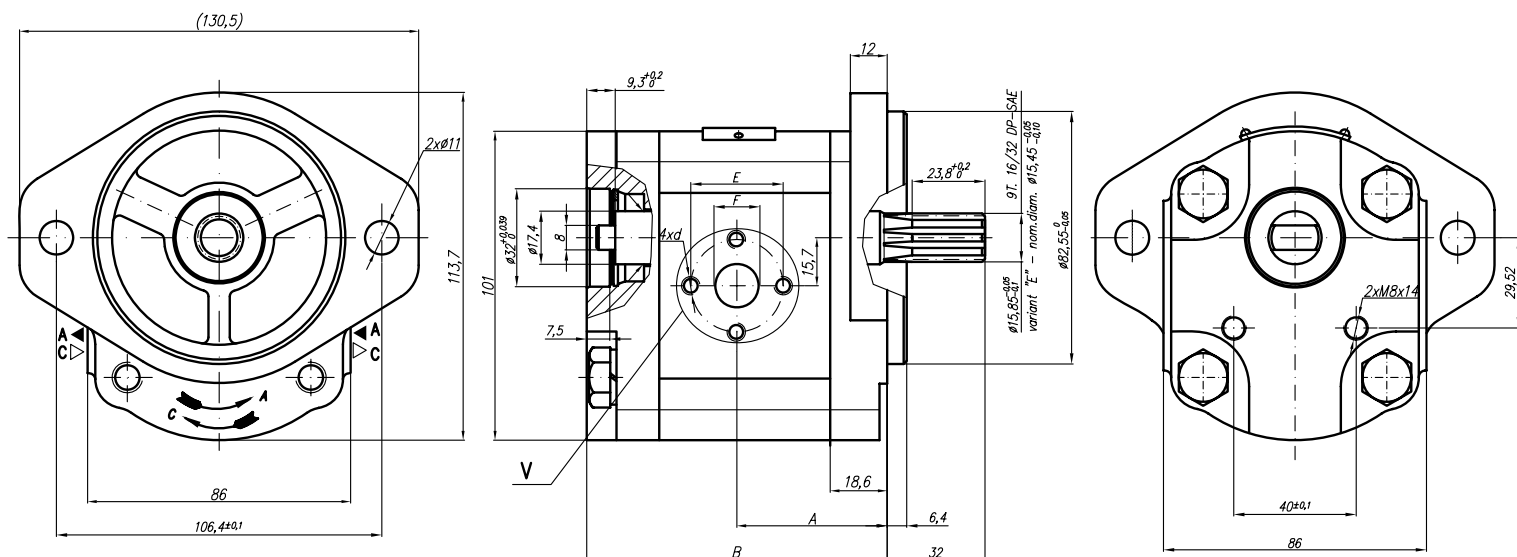


| Type | Displacement cm ³ /rev | Flow | | Pressure P _{nom} bar | max Speed n rpm | Dimension | | | | | | | | | |
|-----------------|--------------------------------------|----------------------|---------------------|-------------------------------------|-----------------------|-----------|---------|------|----|-----------------|----|------|----|-----------------|----|
| | | at 1500 rpm l/min | at max rpm l/min | | | Inlet | | | | Outlet | | | | | |
| | | | | | | A mm | B mm | E | H | d | F | E | H | d | F |
| 20A(C)15X464H | 15 | 20,48 | 47,78 | 250 | 3500 | 55,6 | 106,8 | 52,7 | 26 | 3/8" - 14UNC-2B | 25 | 47,6 | 22 | 3/8" - 14UNC-2B | 18 |
| 20A(C)16X464H | 16 | 22,08 | 51,52 | 250 | 3500 | 56,6 | 108,4 | | | | | | | | |
| 20A(C)17,3X464H | 17,3 | 23,87 | 55,71 | 250 | 3500 | 57,6 | 110,5 | | | | | | | | |
| 20A(C)18,2X464H | 18,2 | 25,39 | 59,24 | 250 | 3500 | 58,4 | 112,1 | | | | | | | | |
| 20A(C)19X464H | 19 | 26,51 | 61,85 | 250 | 3500 | 59 | 113,4 | | | | | | | | |
| 20A(C)22X464H | 22 | 31,02 | 72,38 | 250 | 3500 | 61,5 | 118,4 | | | | | | | | |
| 20A(C)25X464H | 25 | 35,63 | 83,13 | 250 | 3500 | 63,9 | 123,3 | | | | | | | | |
| 20A(C)28X464H | 28 | 40,32 | 67,20 | 250 | 2500 | 66,4 | 128,1 | | | | | | | | |
| 20A(C)32X464H | 32 | 46,08 | 76,80 | 250 | 2500 | 69,6 | 134,4 | | | | | | | | |
| 20A(C)36X464H | 36 | 51,84 | 86,40 | 200 | 2500 | 72,8 | 141 | | | | | | | | |



| Type | Displacement cm ³ /rev | Flow | | Pressure P _{nom} bar | max Speed n rpm | Dimension | | | | | | | |
|------------------|--------------------------------------|----------------------|---------------------|-------------------------------------|-----------------------|-----------|---------|-------|----|-------|--------|----|-------|
| | | at 1500 rpm l/min | at max rpm l/min | | | A mm | B mm | Inlet | | | Outlet | | |
| | | | | | | | | E | F | d | E | F | d |
| 20A(C)4,5X466 | 4,5 | 6,14 | 14,33 | 250 | 3500 | | | | | | | | |
| 20A(C)6,3X466 | 6,3 | 8,69 | 20,29 | 250 | 3500 | | | | | | | | |
| 20A(C)8,2X466 | 8,2 | 11,32 | 26,40 | 250 | 3500 | | | | | | | | |
| 20A(C)10X466 | 10 | 13,95 | 32,55 | 250 | 3500 | | | | | | | | |
| 20A(C)11X466 | 11,3 | 15,76 | 36,78 | 250 | 3500 | | | | | | | | |
| 20A(C)12X466 | 12 | 16,92 | 39,48 | 250 | 3500 | | | | | | | | |
| 20A(C)14X466 | 14 | 19,95 | 46,55 | 250 | 3500 | 52,5 | 95,4 | | | | | | |
| 20A(C)15X466 | 15 | 21,60 | 36,00 | 250 | 2500 | | | 40 | 20 | M8-6H | 40 | 12 | M8-6H |
| 20A(C)16X466 | 16 | 23,04 | 38,40 | 250 | 2500 | 52,5 | 98,5 | | | | | | |
| 20A(C)19X466 | 19 | 27,36 | 45,60 | 200 | 2500 | | | | | | | | |
| 20A(C)22X466 | 22 | 31,68 | 42,24 | 180 | 2000 | | | | | | | | |
| 20A(C)25X466 | 25 | 36,00 | 48,00 | 160 | 2000 | | | | | | | | |
| 20A(C)14X466HS | 14 | 20,16 | 47,04 | 250 | 3500 | | | | | | | | |
| 20A(C)15X466HS | 15 | 21,60 | 36,00 | 250 | 2500 | | | | | | | | |
| 20A(C)16X466HS | 16 | 23,04 | 38,40 | 250 | 2500 | 62 | 108,8 | 40 | 20 | M8-6H | 40 | 12 | M8-6H |
| 20A(C)17,3X466HS | 17,3 | 24,91 | 41,52 | 230 | 2500 | 62 | 111 | | | | | | |
| 20A/C17,3X466HS2 | 17,3 | 24,91 | 41,52 | 200 | 2500 | 58 | 111 | | | | | | |
| | 19 | 27,36 | 45,60 | 200 | 2500 | | | | | | 15 | | |

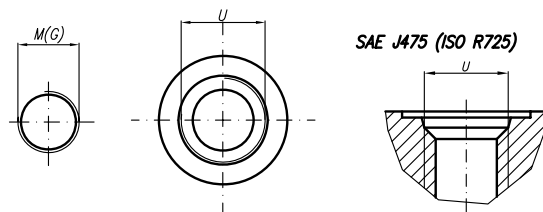
Designed as a first section of tandem pumps group 21A(C)...X467.../... (II group/I group).



Designations:

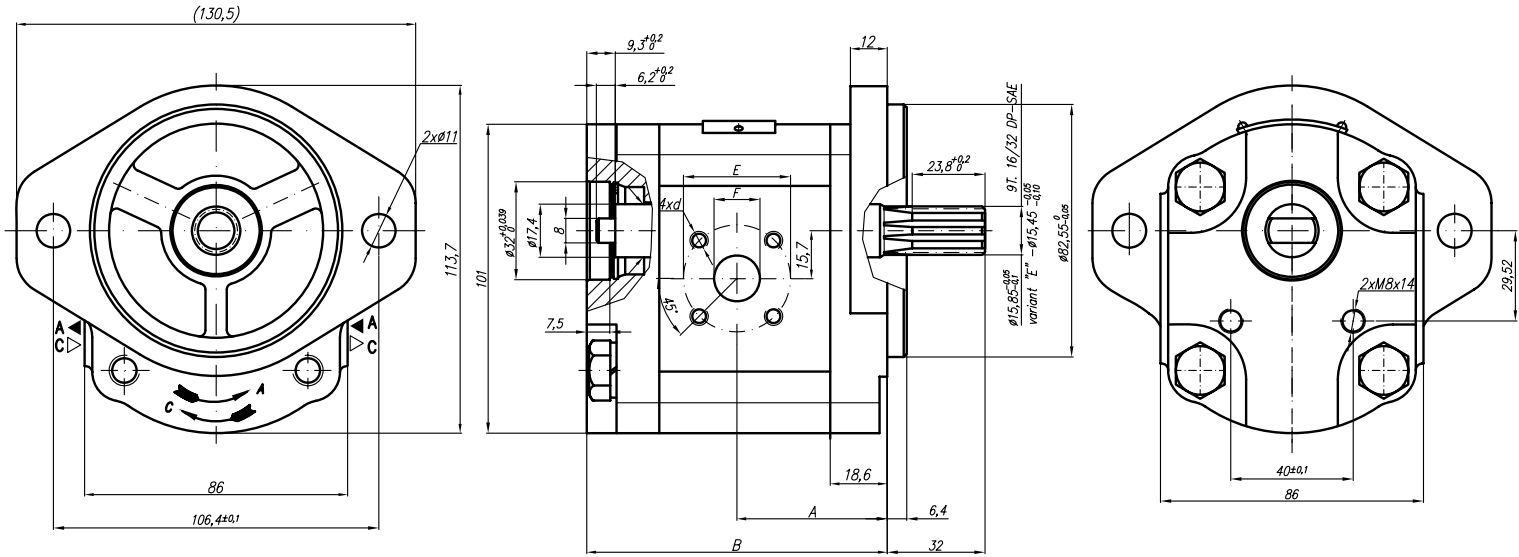
- ...X467 - Normal version (flanges);
- ...X467M - Metric threads;
- ...X467G - GAS threads;
- ...X467U - SAE UNF threads;

V
Variants for ports - M;G;U



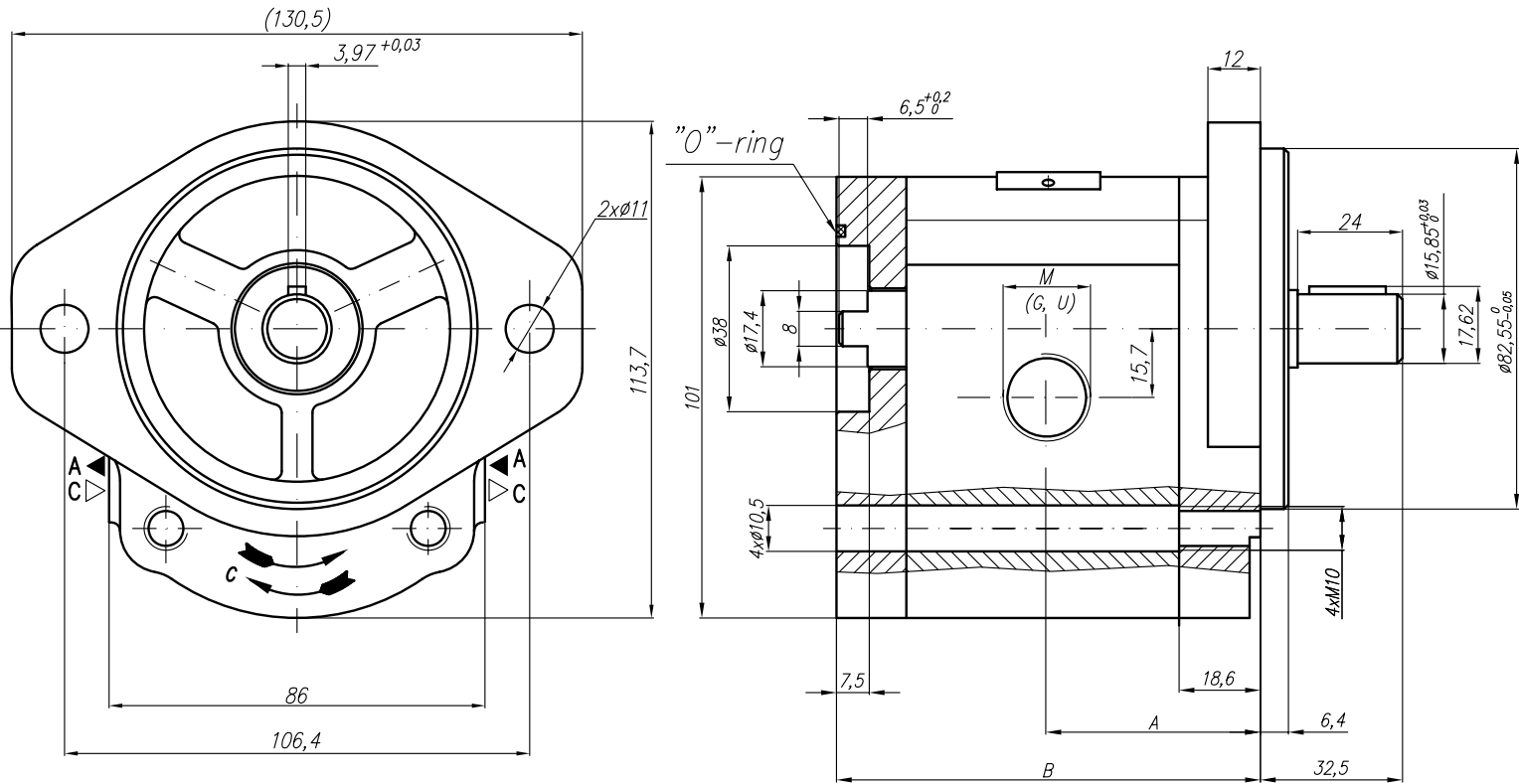
| Type | Displacement cm ³ /rev | Flow | | Pressure P _{nom} bar | max Speed n rpm | Dimension | | | | | | | |
|------------------|--------------------------------------|----------------------|---------------------|-------------------------------------|-----------------------|-----------|---------|---------|---------|-----------------|---------|------|--------------|
| | | at 1500 rpm l/min | at max rpm l/min | | | A mm | B mm | Inlet | | | Outlet | | |
| | | | | | | | | M | G | U | M | G | U |
| 20A(C)4,5X467... | 4,5 | 6,14 | 14,33 | 250 | 3500 | 42,1 | 89,3 | M20x1,5 | G1/2 | 1 1/16-12UNF-2B | M16x1,5 | G1/2 | 7/8-14UNF-2B |
| 20A(C)6,3X467... | 6,3 | 8,69 | 20,29 | 250 | 3500 | 42,1 | 89,3 | | | | | | |
| 20A(C)8,2X467... | 8,2 | 11,32 | 26,40 | 250 | 3500 | 42,1 | 89,3 | | | | | | |
| 20A(C)10X467... | 10 | 13,95 | 32,55 | 250 | 3500 | 46,6 | 98,2 | | G3/4 | | | | |
| 20A(C)11X467... | 11,3 | 15,76 | 36,78 | 250 | 3500 | 47,6 | 100,3 | | | | | | |
| 20A(C)12X467... | 12 | 16,92 | 39,48 | 250 | 3500 | 48,2 | 101,6 | | | | | | |
| 20A(C)14X467... | 14 | 19,95 | 46,55 | 250 | 3500 | 49,8 | 104,7 | | M20X1,5 | | | | |
| 20A(C)15X467... | 15 | 21,60 | 36,00 | 250 | 2500 | 50,6 | 106,2 | | | | | | |
| 20A(C)16X467... | 16 | 23,04 | 38,40 | 250 | 2500 | 51,4 | 107,8 | | | | | | |
| 20A(C)19X467... | 19 | 27,36 | 45,60 | 200 | 2500 | 54 | 112,8 | | M20X1,5 | | | | |
| 20A(C)22X467... | 22 | 31,68 | 42,24 | 180 | 2000 | 56,5 | 117,8 | | | | | | |
| 20A(C)25X467... | 25 | 36,00 | 48,00 | 160 | 2000 | 58,8 | 122,7 | | | | | | |

Designed as a first section of tandem pumps group 21A(C)...X478/... (II group/I group).

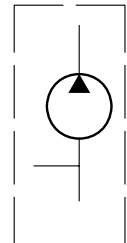


| Type | Displacement cm ³ /rev | Flow | | Pressure P _{nom} bar | max Speed n rpm | Dimension | | | | | | | |
|---------------|--------------------------------------|----------------------|---------------------|-------------------------------------|-----------------------|-----------|---------|-------|----|-------|--------|----|-------|
| | | at 1500 rpm l/min | at max rpm l/min | | | A mm | B mm | Inlet | | | Outlet | | |
| | | | | | | | | E | F | d | E | F | d |
| 20A(C)4,5X478 | 4,5 | 6,14 | 14,33 | 250 | 3500 | 42,1 | 89,3 | 40 | 15 | M6-6H | 35 | 15 | M6-6H |
| 20A(C)6,3X478 | 6,3 | 8,69 | 20,29 | 250 | 3500 | 43,6 | 92,3 | | | | | | |
| 20A(C)8,2X478 | 8,2 | 11,32 | 26,40 | 250 | 3500 | 45,1 | 95,2 | | | | | | |
| 20A(C)10X478 | 10 | 13,95 | 32,55 | 250 | 3500 | 46,6 | 98,2 | | | | | | |
| 20A(C)11X478 | 11,3 | 15,76 | 36,78 | 250 | 3500 | 47,6 | 100,3 | | | | | | |
| 20A(C)12X478 | 12 | 16,92 | 39,48 | 250 | 3500 | 48,2 | 101,6 | | | | | | |
| 20A(C)14X478 | 14 | 19,95 | 46,55 | 250 | 3500 | 49,6 | 104,7 | | | | | | |
| 20A(C)15X478 | 15 | 21,60 | 36,00 | 250 | 2500 | 50,6 | 106,2 | | | | | | |
| 20A(C)16X478 | 16 | 23,04 | 38,40 | 250 | 2500 | 51,6 | 107,8 | | | | | | |
| 20A(C)19X478 | 19 | 27,36 | 45,60 | 200 | 2500 | 53,6 | 112,8 | | | | | | |
| 20A(C)22X478 | 22 | 31,68 | 42,24 | 180 | 2000 | 56,6 | 117,8 | | | | | | |
| 20A(C)25X478 | 25 | 36,00 | 48,00 | 160 | 2000 | 58,8 | 122,7 | | | | | | |

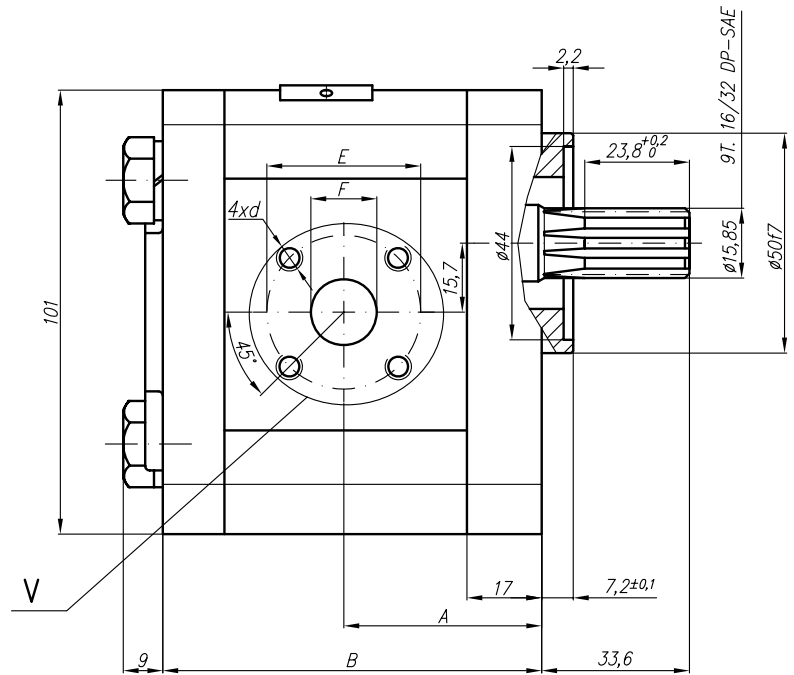
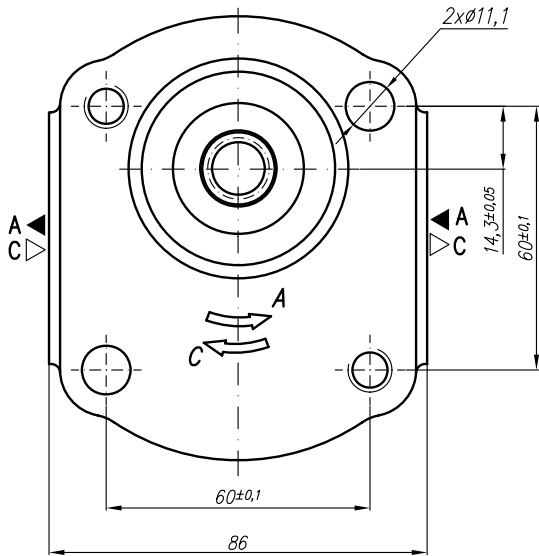
Designed as a special version – 1 section of tandem pump 22A(C)...X494/...X495.



Symbol



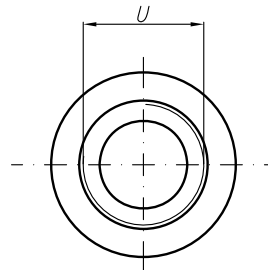
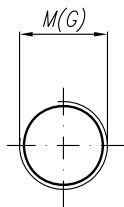
| Type | Displacement cm ³ /rev | Flow | | Pressure P _{nom} bar | max Speed n rpm | Dimension | | | | | | | |
|------------------|--------------------------------------|----------------------|---------------------|-------------------------------------|-----------------------|-----------|---------|---------|------|-----------------|---------|------|--------------|
| | | at 1500 rpm l/min | at max rpm l/min | | | A mm | B mm | Inlet | | | Outlet | | |
| | | | | | | | | M | G | U | M | G | U |
| 20A(C)4,5X494... | 4,5 | 6,14 | 14,33 | 250 | 3500 | | | M20x1,5 | G1/2 | 1 1/16-12UNF-2B | M16x1,5 | G1/2 | 7/8-14UNF-2B |
| 20A(C)6,3X494... | 6,3 | 8,69 | 20,29 | 250 | 3500 | | | | | | | | |
| 20A(C)8,2X494... | 8,2 | 11,32 | 26,40 | 250 | 3500 | 45 | 87,5 | | | | | | |
| 20A(C)10X494... | 10 | 13,95 | 32,55 | 250 | 3500 | | | | | | | | |
| 20A(C)11X494... | 11,3 | 15,76 | 36,78 | 250 | 3500 | | | | | | | | |
| 20A(C)12X494... | 12 | 16,92 | 39,48 | 250 | 3500 | | | | | | | | |
| 20A(C)14X494... | 14 | 19,95 | 46,55 | 250 | 3500 | 49,8 | 97 | | | | | | |
| 20A(C)15X494... | 15 | 21,60 | 36,00 | 250 | 2500 | 50,6 | 98,5 | | | | | | |
| 20A(C)16X494... | 16 | 23,04 | 38,40 | 250 | 2500 | 49,8 | 100,1 | | | | | | |
| 20A(C)19X494... | 19 | 27,36 | 45,60 | 200 | 2500 | 53,6 | 105,1 | | | | | | |
| 20A(C)22X494... | 22 | 31,68 | 42,24 | 180 | 2000 | | | | | | | | |
| 20A(C)25X494... | 25 | 36,00 | 48,00 | 160 | 2000 | | | | | | | | |



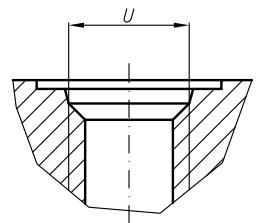
V
Variants for ports – M;G;U

Designations:

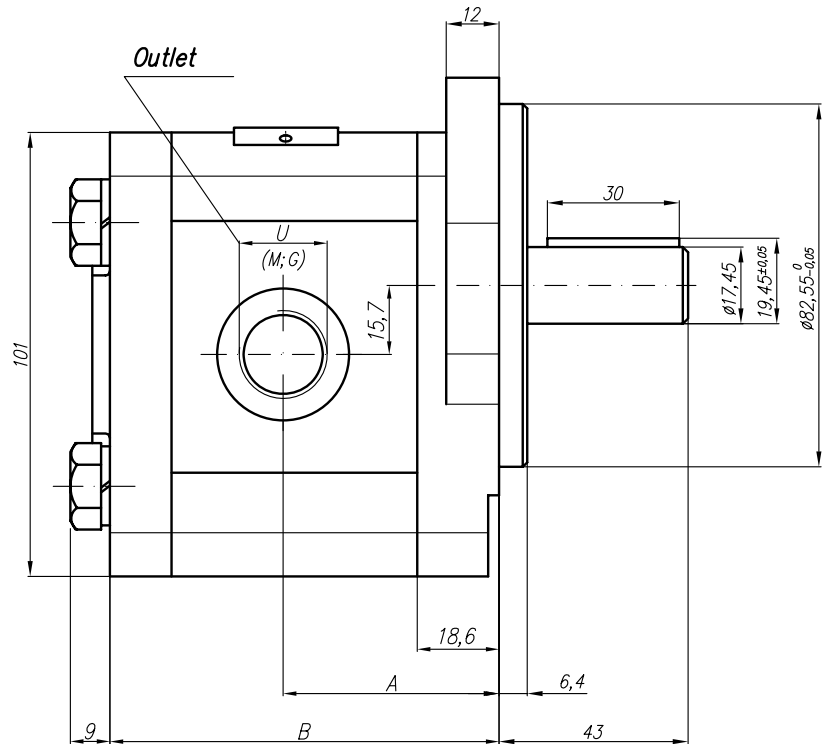
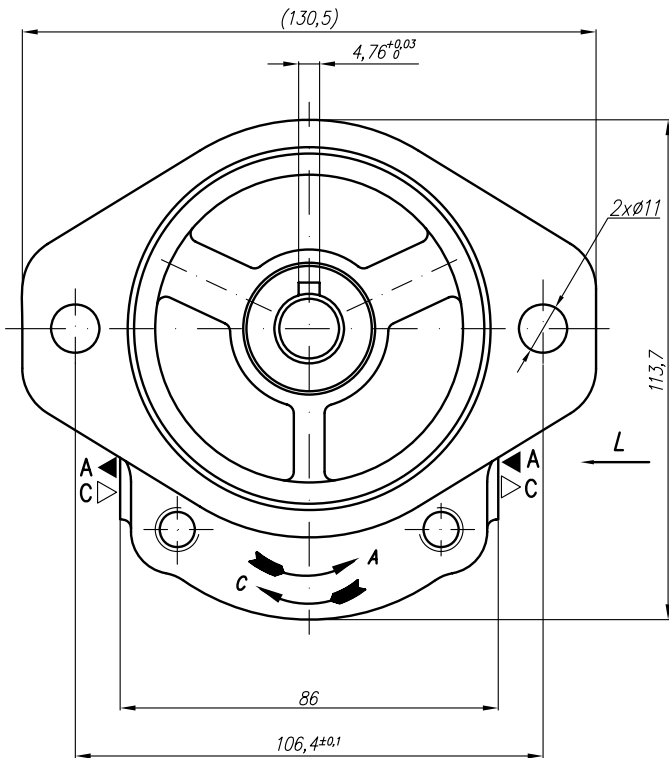
- ...X496 – Normal version (flanges);
- ...X496M – Metric threads;
- ...X496G – GAS threads;
- ...X496U – SAE UNF threads;



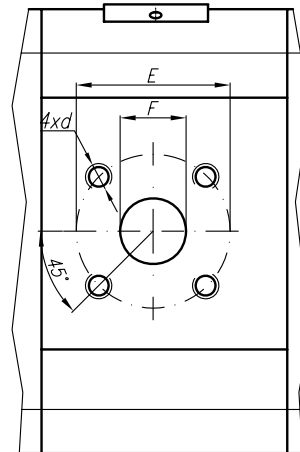
SAE J475 (ISO R725)



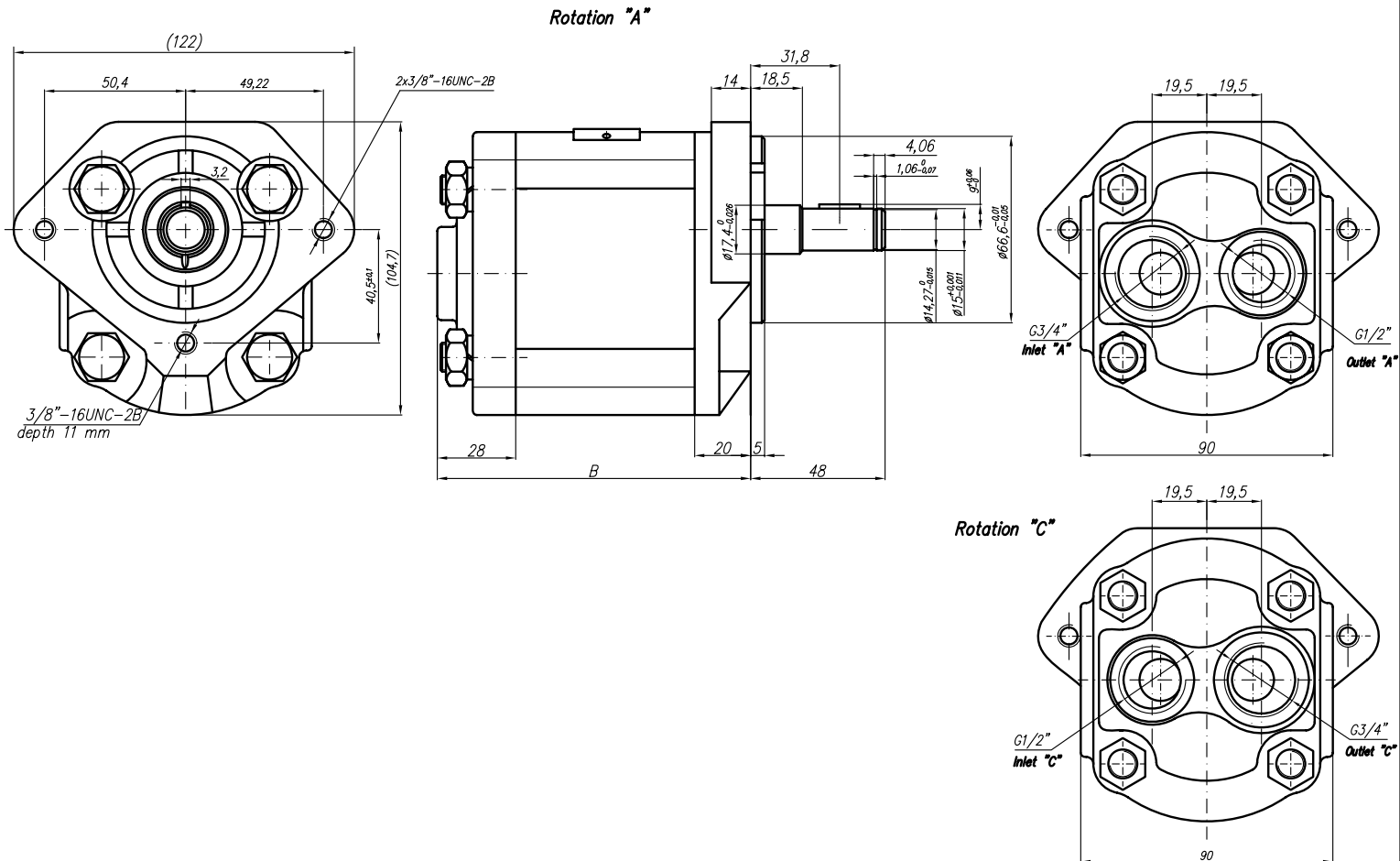
| Type | Displacement cm ³ /rev | Flow | | Pressure P _{nom} bar | max Speed n rpm | Dimension | | | | | | | | | | | | | | |
|------------------|--------------------------------------|----------------------|---------------------|-------------------------------------|-----------------------|-----------|---------|----|----|-------|---------|--------|---|-------------|----|----|-------|---------|------|------------|
| | | at 1500 rpm l/min | at max rpm l/min | | | Inlet | | | | | | Outlet | | | | | | | | |
| | | | | | | A mm | B mm | E | F | d | M | G | U | E | F | d | M | G | U | |
| 20A(C)4,5X496... | 4,5 | 6,14 | 14,33 | 250 | 3500 | 37,3 | 75,1 | 40 | 15 | M6-6H | M20x1,5 | G1/2 | 1 | 1/16"-12UNF | 35 | 15 | M6-6H | M16x1,5 | G1/2 | 7/8"-14UNF |
| 20A(C)6,3X496... | 6,3 | 8,69 | 20,29 | 250 | 3500 | 38,6 | 78 | | | | | | | | | | | | | |
| 20A(C)8,2X496... | 8,2 | 11,32 | 26,40 | 250 | 3500 | 40,6 | 78 | | | | | | | | | | | | | |
| 20A(C)10X496... | 10 | 13,95 | 32,55 | 250 | 3500 | 45 | 87 | | | | | | | | | | | | | |
| 20A(C)11X496... | 11,3 | 15,76 | 36,78 | 250 | 3500 | 45 | 89,1 | | | | | | | | | | | | | |
| 20A(C)12X496... | 12 | 16,92 | 39,48 | 250 | 3500 | 45 | 90,3 | | | | | | | | | | | | | |
| 20A(C)14X496... | 14 | 19,95 | 46,55 | 250 | 3500 | 45 | 93,4 | | | | | | | | | | | | | |
| 20A(C)15X496... | 15 | 21,60 | 36,00 | 250 | 2500 | 45 | 94,9 | | | | | | | | | | | | | |
| 20A(C)16X496... | 16 | 23,04 | 38,40 | 250 | 2500 | 45 | 96,5 | | | | | | | | | | | | | |
| 20A(C)19X496... | 19 | 27,36 | 45,60 | 200 | 2500 | 45 | 101,5 | | | | | | | | | | | | | |
| 20A(C)22X496... | 22 | 31,68 | 42,24 | 180 | 2000 | 52,5 | 106,5 | | | | | | | | | | | | | |
| 20A(C)25X496... | 25 | 36,00 | 48,00 | 160 | 2000 | 57,2 | 111,4 | | | | | | | | | | | | | |



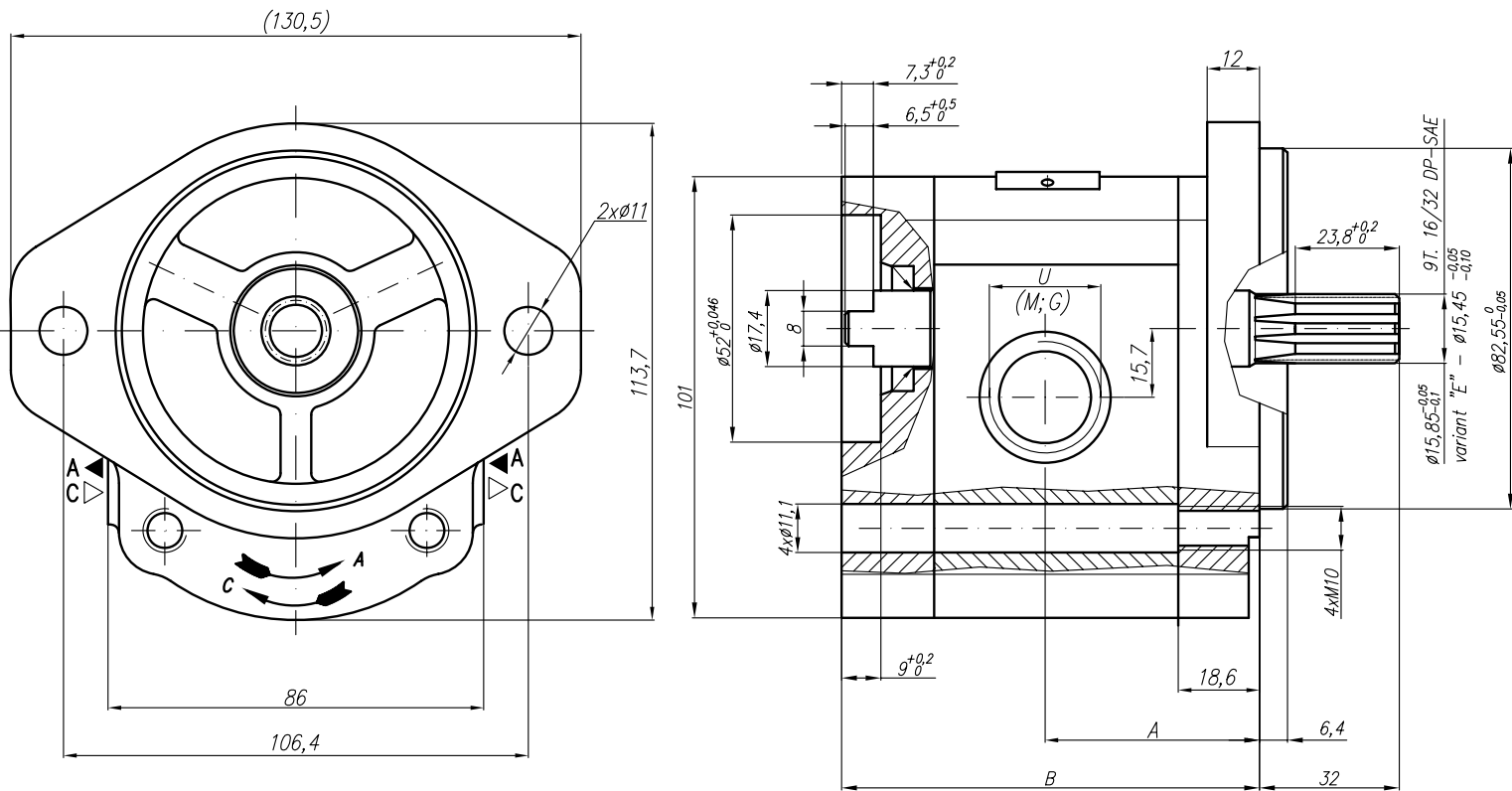
L
Inlet



| Type | Displacement cm ³ /rev | Flow | | Pressure P _{nom} bar | max Speed n rpm | Dimension | | | | | | | |
|------------------|--------------------------------------|----------------------|---------------------|-------------------------------------|-----------------------|-----------|---------|-------|----|-------|--------|---|--------------|
| | | at 1500 rpm l/min | at max rpm l/min | | | A mm | B mm | Inlet | | | Outlet | | |
| | | | | | | | | E | F | d | M | G | U |
| 20A(C)4,5X497... | 4,5 | 6,14 | 14,33 | 250 | 3500 | 41,4 | 79,6 | 40 | 15 | M6-6H | | | 3/4" - 16UNF |
| 20A(C)6,3X497... | 6,3 | 8,69 | 20,29 | 250 | 3500 | 42,6 | 82,6 | | | | | | |
| 20A(C)8,2X497... | 8,2 | 11,32 | 26,40 | 250 | 3500 | 44,7 | 85,5 | | | | | | |
| 20A(C)10X497... | 10 | 13,95 | 32,55 | 250 | 3500 | 49,1 | 88,6 | | 20 | | | | |
| 20A(C)11X497... | 11,3 | 15,76 | 36,78 | 250 | 3500 | 49,1 | 90,7 | | | | | | |
| 20A(C)12X497... | 12 | 16,92 | 39,48 | 250 | 3500 | 49,1 | 91,9 | | | | | | |
| 20A(C)14X497... | 14 | 19,95 | 46,55 | 250 | 3500 | 49,1 | 95 | | | | | | |
| 20A(C)15X497... | 15 | 21,60 | 36,00 | 250 | 2500 | 49,1 | 96,5 | | | | | | |
| 20A(C)16X497... | 16 | 23,04 | 38,40 | 250 | 2500 | 49,1 | 98,2 | | | | | | |
| 20A(C)19X497... | 19 | 27,36 | 45,60 | 200 | 2500 | 49,1 | 103,1 | | | | | | |
| 20A(C)22X497... | 22 | 31,68 | 42,24 | 180 | 2000 | 56,6 | 108,1 | | | | | | |
| 20A(C)25X497... | 25 | 36,00 | 48,00 | 160 | 2000 | 58,8 | 113 | | | | | | |



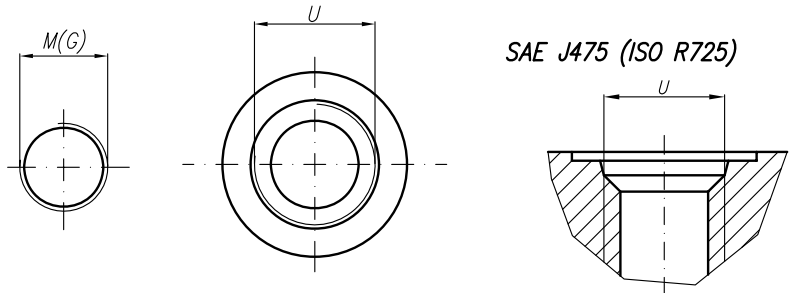
| Type | Displacement cm ³ /rev | Flow | | Pressure P _{nom} bar | max Speed n rpm | Dimension | | | | | | | |
|----------------|--------------------------------------|----------------------|---------------------|-------------------------------------|-----------------------|-----------|---------|---|--------|---|---|---|---|
| | | at 1500 rpm l/min | at max rpm l/min | | | Inlet | | | Outlet | | | | |
| | | | | | | A mm | B mm | M | G | U | M | G | U |
| 20A(C)4,5X500W | 4,5 | 6,14 | 14,33 | 250 | 3500 | | 96 | | | | | | |
| 20A(C)6,3X500W | 6,3 | 8,69 | 20,29 | 250 | 3500 | | 99 | | | | | | |
| 20A(C)8,2X500W | 8,2 | 11,32 | 26,40 | 250 | 3500 | | 102 | | | | | | |
| 20A(C)10X500W | 10 | 13,95 | 32,55 | 250 | 3500 | | 105 | | | | | | |
| 20A(C)11X500W | 11,3 | 15,76 | 36,78 | 250 | 3500 | | 107 | | | | | | |
| 20A(C)12X500W | 12 | 16,92 | 39,48 | 250 | 3500 | | 108,3 | | | | | | |
| 20A(C)14X500W | 14 | 19,95 | 46,55 | 250 | 3500 | | 111,4 | | | | | | |
| 20A(C)15X500W | 15 | 21,60 | 36,00 | 250 | 2500 | | 113 | | | | | | |
| 20A(C)16X500W | 16 | 23,04 | 38,40 | 250 | 2500 | | 114,5 | | | | | | |
| 20A(C)19X500W | 19 | 27,36 | 45,60 | 200 | 2500 | | 119,5 | | | | | | |
| 20A(C)22X500W | 22 | 31,68 | 42,24 | 180 | 2000 | | 124,5 | | | | | | |
| 20A(C)25X500W | 25 | 36,00 | 48,00 | 160 | 2000 | | 129,4 | | | | | | |



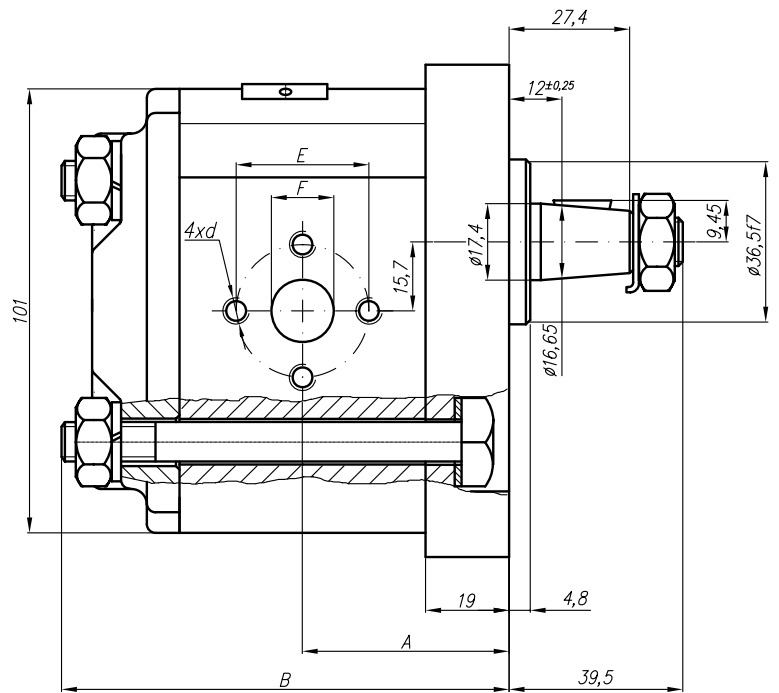
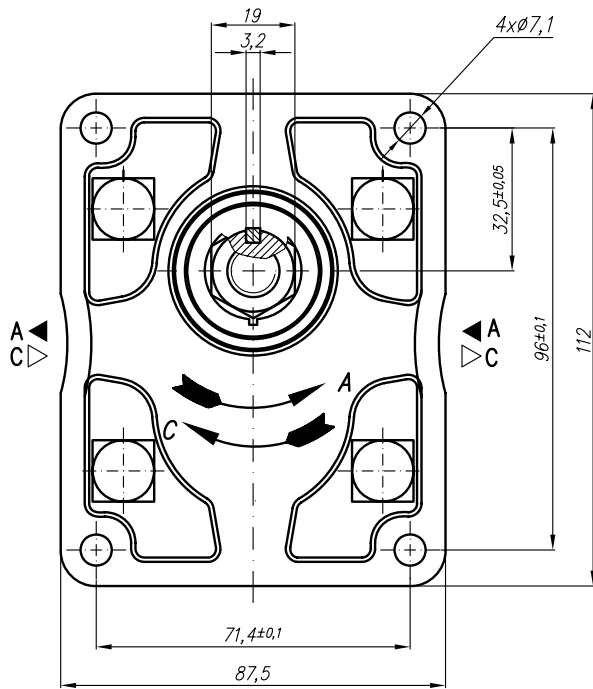
V
Variants for ports – M;G;U

Designations:

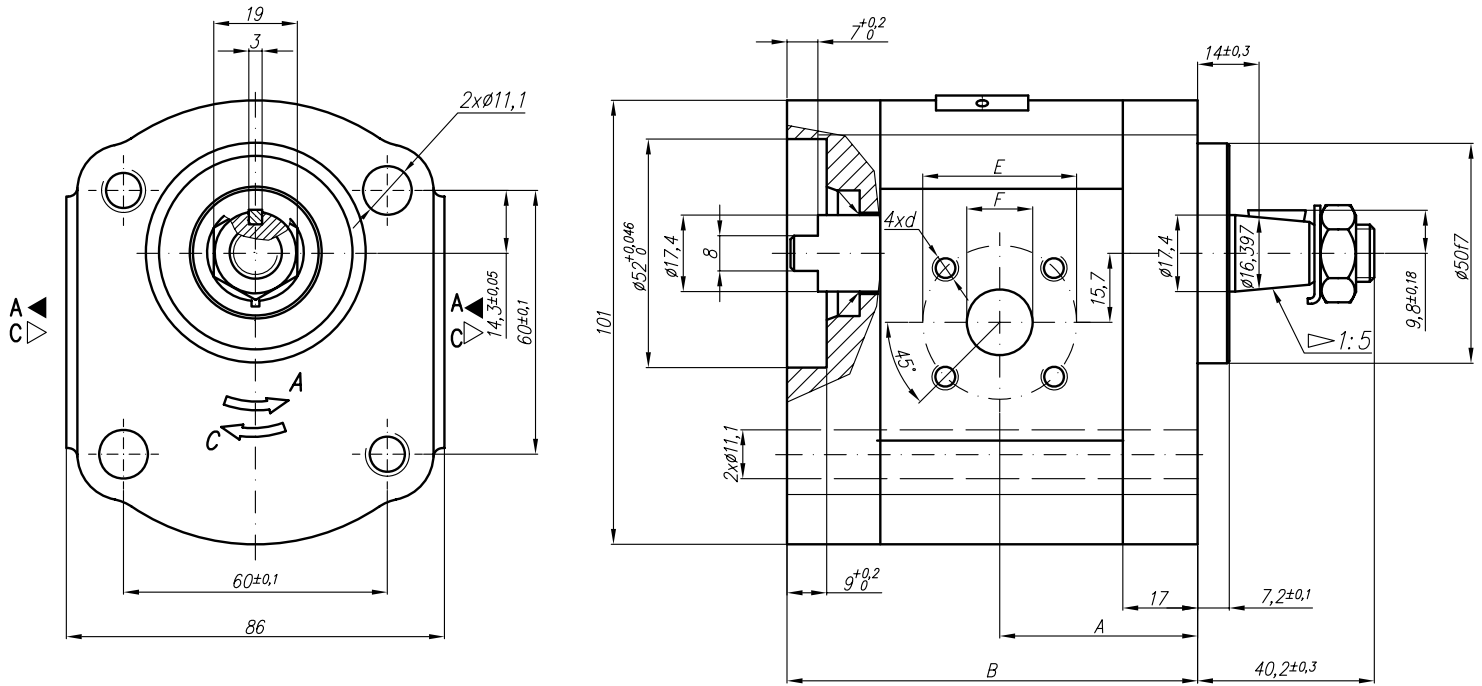
- ...X514M – Metric threads;
- ...X514G – GAS threads;
- ...X514U – SAE UNF threads;



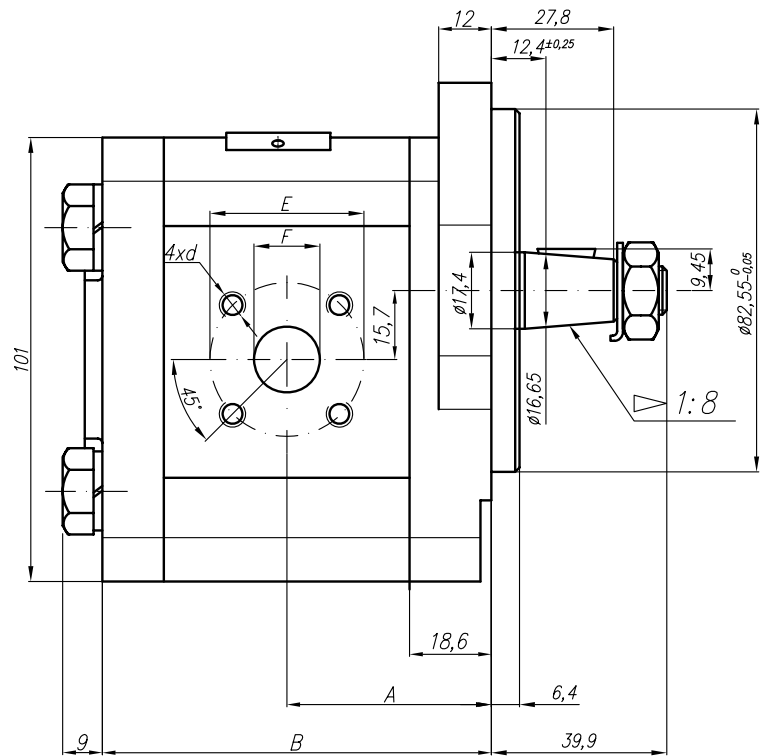
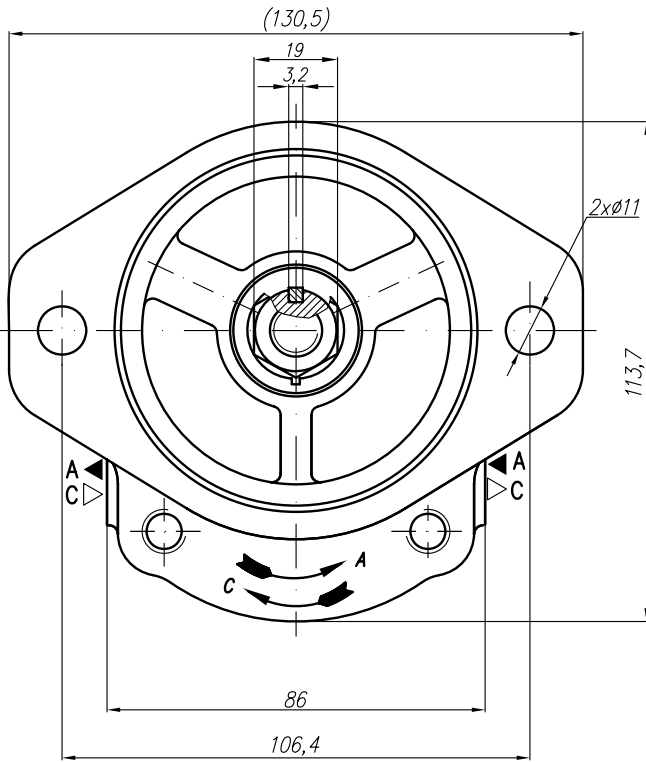
| Type | Displacement cm ³ /rev | Flow | | Pressure P _{nom} bar | max Speed n rpm | Dimension | | | | | | | |
|------------------|--------------------------------------|----------------------|---------------------|-------------------------------------|-----------------------|-----------|---------|---------|---------|---------------|---|------|------------|
| | | at 1500 rpm l/min | at max rpm l/min | | | Inlet | | | Outlet | | | | |
| | | | | | | A mm | B mm | M | G | U | M | G | U |
| 20A(C)4,5X514... | 4,5 | 6,14 | 14,33 | 250 | 3500 | 42 | 86,8 | M20x1,5 | G1/2 | 1 1/16"-12UNF | | G1/2 | 7/8"-14UNF |
| 20A(C)6,3X514... | 6,3 | 8,69 | 20,29 | 250 | 3500 | 43,6 | 86,8 | | | | | | |
| 20A(C)8,2X514... | 8,2 | 11,32 | 26,40 | 250 | 3500 | 45 | 86,8 | | | | | | |
| 20A(C)10X514... | 10 | 13,95 | 32,55 | 250 | 3500 | 46,6 | 95,8 | | G3/4 | | | | |
| 20A(C)11X514... | 11,3 | 15,76 | 36,78 | 250 | 3500 | 47,6 | 97,9 | | | | | | |
| 20A(C)12X514... | 12 | 16,92 | 39,48 | 250 | 3500 | 48,2 | 99,1 | | M16x1,5 | | | | |
| 20A(C)14X514... | 14 | 19,95 | 46,55 | 250 | 3500 | 49,6 | 102,1 | | | | | | |
| 20A(C)15X514... | 15 | 21,60 | 36,00 | 250 | 2500 | 50,6 | 103,7 | | M20X1,5 | | | | |
| 20A(C)16X514... | 16 | 23,04 | 38,40 | 250 | 2500 | 51,6 | 105,3 | | | | | | |
| 20A(C)19X514... | 19 | 27,36 | 45,60 | 200 | 2500 | 53,6 | 110,3 | | | | | | |
| 20A(C)22X514... | 22 | 31,68 | 42,24 | 180 | 2000 | 56,6 | 115,3 | | | | | | |
| 20A(C)25X514... | 25 | 36,00 | 48,00 | 160 | 2000 | 58,8 | 120,2 | | | | | | |



| Type | | Displacement | Flow | | Pressure | max Speed | Dimension | | | | | | | |
|---------------|---------------|----------------------|-------------|------------|----------|-----------|------------------|-------|------|------|-------------|------|--------|-------|
| | | | at 1500 rpm | at max rpm | | | P _{nom} | n | A | B | Inlet | | Outlet | |
| "Caproni" | "Plessey" | cm ³ /rev | l/min | l/min | bar | rpm | mm | mm | E | F | d | E | F | d |
| 20A(C)4,5X518 | A(C)10XP4...S | 4,5 | 6,14 | 14,33 | 175 | 3500 | 42,5 | 80 | | | | | | |
| 20A(C)6,3X518 | A(C)14XP4...S | 6,3 | 8,69 | 20,29 | 175 | 3500 | 42,5 | 80 | 30,2 | 13,1 | 1/4"-20UNC | | 13,1 | |
| 20A(C)8,2X518 | A(C)18XP4...S | 8,2 | 11,32 | 26,40 | 175 | 3500 | 42,5 | 80 | | | | | | |
| 20A(C)10X518 | A(C)22XP4...S | 10 | 13,95 | 32,55 | 175 | 3500 | 47 | 89 | | | | | | |
| 20A(C)11X518 | A(C)25XP4...S | 11,3 | 15,76 | 36,78 | 175 | 3500 | 48 | 91,1 | | | | | | |
| 20A(C)12X518 | A(C)26XP4...S | 12 | 16,92 | 39,48 | 175 | 3500 | 48,6 | 92,3 | | | | | | |
| 20A(C)14X518 | A(C)31XP4...S | 14 | 19,95 | 46,55 | 175 | 3500 | 50 | 95,4 | | | | | | |
| 20A(C)15X518 | A(C)33XP4...S | 15 | 21,60 | 36,00 | 175 | 2500 | 51 | 96,9 | 39,7 | 19 | 5/16"-18UNC | | | |
| 20A(C)16X518 | A(C)35XP4...S | 16 | 23,04 | 38,40 | 175 | 2500 | 52 | 98,6 | | | | | | |
| 20A(C)19X518 | A(C)42XP4...S | 19 | 27,36 | 45,60 | 175 | 2500 | 54 | 103,5 | | | | | | |
| 20A(C)22X518 | A(C)48XP4...S | 22 | 31,68 | 42,24 | 175 | 2000 | 57 | 108,5 | | | | | | |
| 20A(C)25X518 | A(C)55XP4...S | 25 | 36,00 | 48,00 | 160 | 2000 | 59,2 | 113,4 | | | | 39,7 | 19 | 5/16" |

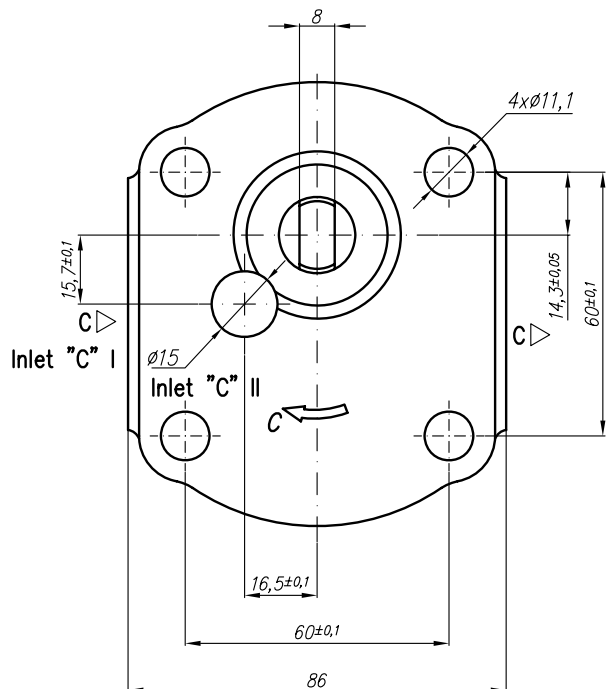


| Type | Displacement cm ³ /rev | Flow | | Pressure P _{nom} bar | max Speed n rpm | Dimension | | | | | | | |
|---------------|--------------------------------------|----------------------|---------------------|-------------------------------------|-----------------------|-----------|---------|-------|----|-------|--------|----|-------|
| | | at 1500 rpm l/min | at max rpm l/min | | | A mm | B mm | Inlet | | | Outlet | | |
| | | | | | | | | E | F | d | E | F | d |
| 20A(C)4,5X528 | 4,5 | 6,14 | 14,33 | 250 | 3500 | 40,5 | 85,2 | 40 | 15 | M6-6H | 35 | 15 | M6-6H |
| 20A(C)6,3X528 | 6,3 | 8,69 | 20,29 | 250 | 3500 | 42 | 88,2 | | | | | | |
| 20A(C)8,2X528 | 8,2 | 11,32 | 26,40 | 250 | 3500 | 43,5 | 91,1 | | | | | | |
| 20A(C)10X528 | 10 | 13,95 | 32,55 | 250 | 3500 | 45 | 94,1 | | | | | | |
| 20A(C)11X528 | 11,3 | 15,76 | 36,78 | 250 | 3500 | 46 | 96,2 | | | | | | |
| 20A(C)12X528 | 12 | 16,92 | 39,48 | 250 | 3500 | 46,5 | 97,5 | | | | | | |
| 20A(C)14X528 | 14 | 19,95 | 46,55 | 250 | 3500 | 48 | 100,6 | | | | | | |
| 20A(C)15X528 | 15 | 21,60 | 36,00 | 250 | 2500 | 49 | 102,1 | | | | | | |
| 20A(C)16X528 | 16 | 23,04 | 38,40 | 250 | 2500 | 50 | 103,8 | | | | | | |
| 20A(C)19X528 | 19 | 27,36 | 45,60 | 200 | 2500 | 52 | 108,7 | | | | | | |
| 20A(C)22X528 | 22 | 31,68 | 42,24 | 180 | 2000 | 55 | 113,7 | | | | | | |
| 20A(C)25X528 | 25 | 36,00 | 48,00 | 160 | 2000 | 57,2 | 118,5 | | | | | | |

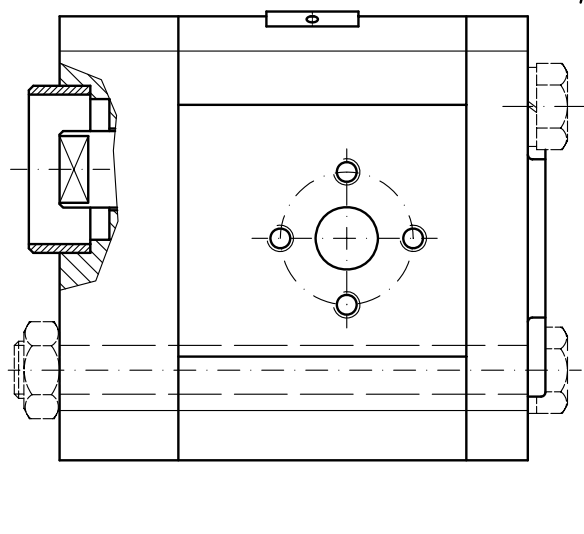
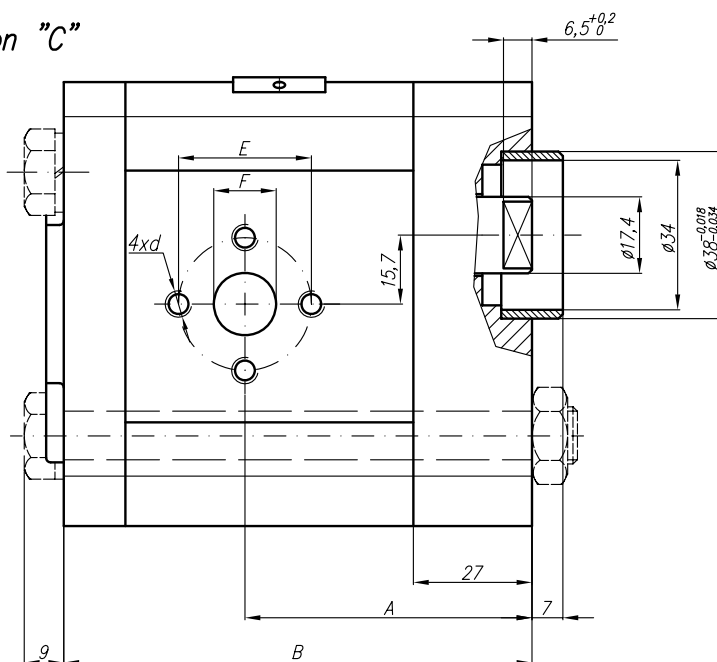


| Type | Displacement cm ³ /rev | Flow | | Pressure P _{nom} bar | max Speed n rpm | Dimension | | | | | | | | |
|---------------|--------------------------------------|----------------------|---------------------|-------------------------------------|-----------------------|-----------|---------|-------|----|-------|--------|----|-------|--|
| | | at 1500 rpm l/min | at max rpm l/min | | | A mm | B mm | Inlet | | | Outlet | | | |
| | | | | | | E | F | d | E | F | d | | | |
| 20A(C)4,5X529 | 4,5 | 6,14 | 14,33 | 250 | 3500 | 42 | 79,6 | 40 | 15 | M6-6H | 35 | 15 | M6-6H | |
| 20A(C)6,3X529 | 6,3 | 8,69 | 20,29 | 250 | 3500 | 43,6 | 82,6 | | | | | | | |
| 20A(C)8,2X529 | 8,2 | 11,32 | 26,40 | 250 | 3500 | 45 | 85,6 | | | | | | | |
| 20A(C)10X529 | 10 | 13,95 | 32,55 | 250 | 3500 | 46,6 | 88,7 | | 20 | | | | | |
| 20A(C)11X529 | 11,3 | 15,76 | 36,78 | 250 | 3500 | 47,6 | 90,7 | | | | | | | |
| 20A(C)12X529 | 12 | 16,92 | 39,48 | 250 | 3500 | 48,2 | 91,9 | | | | | | | |
| 20A(C)14X529 | 14 | 19,95 | 46,55 | 250 | 3500 | 49,6 | 95 | | 20 | | | | | |
| 20A(C)15X529 | 15 | 21,60 | 36,00 | 250 | 2500 | 50,6 | 96,5 | | | | | | | |
| 20A(C)16X529 | 16 | 23,04 | 38,40 | 250 | 2500 | 51,6 | 98,2 | | | | | | | |
| 20A(C)19X529 | 19 | 27,36 | 45,60 | 200 | 2500 | 53,6 | 103,1 | | 20 | | | | | |
| 20A(C)22X529 | 22 | 31,68 | 42,24 | 180 | 2000 | 56,6 | 108,1 | | | | | | | |
| 20A(C)25X529 | 25 | 36,00 | 48,00 | 160 | 2000 | 58,8 | 113 | | | | | | | |

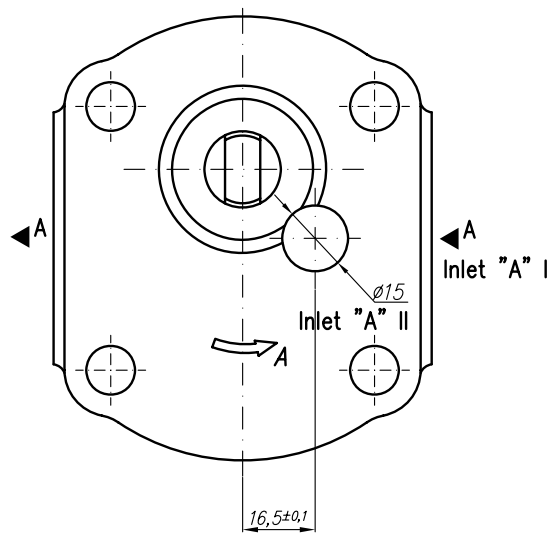
Designed as a II section of tandem pump 22A(C)...X539/...X538.



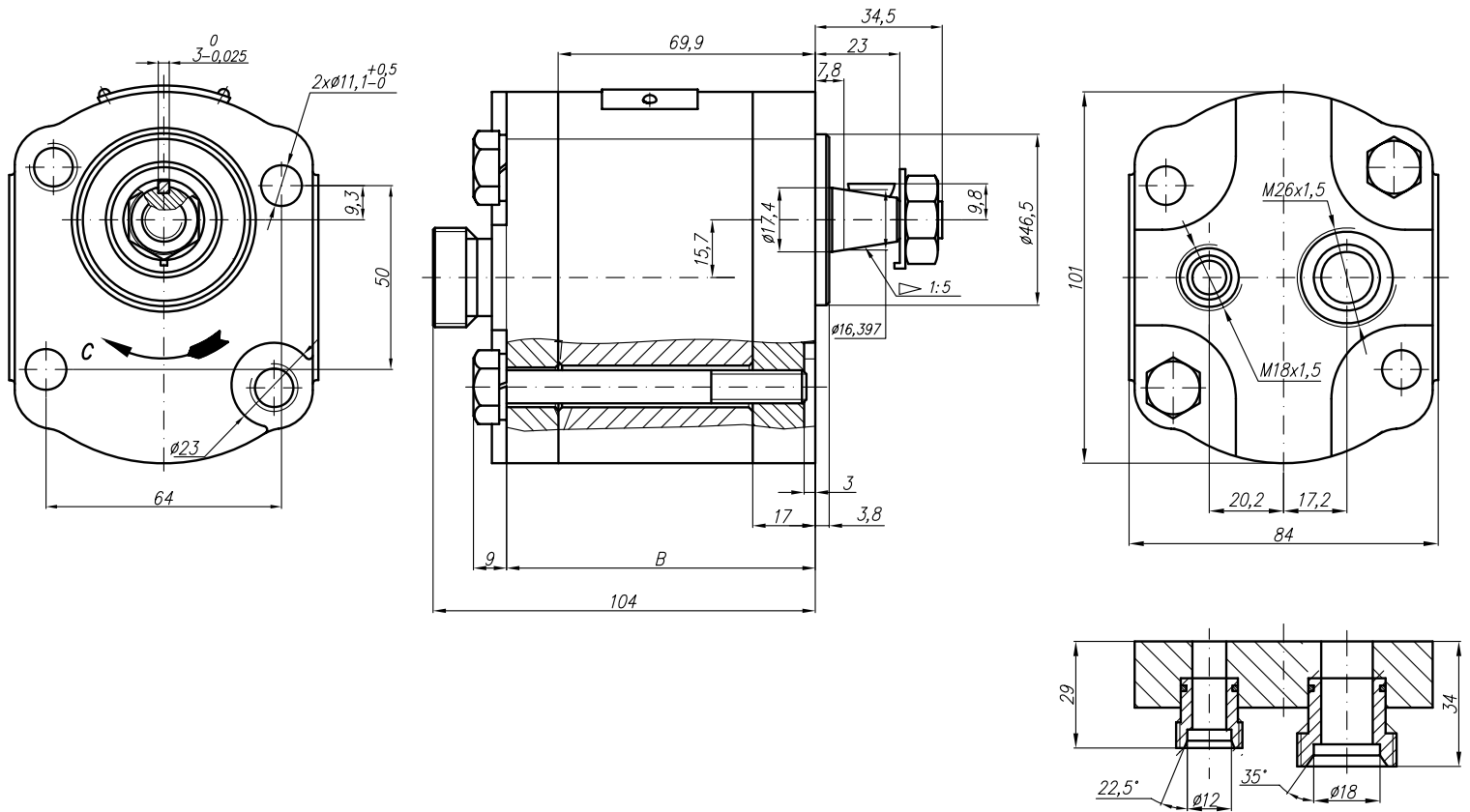
Rotation "C"



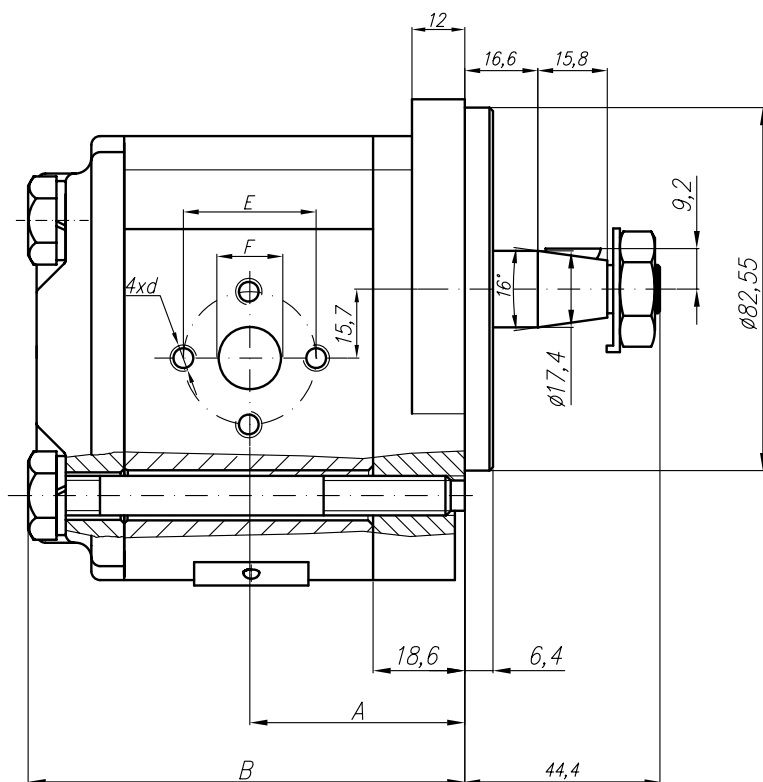
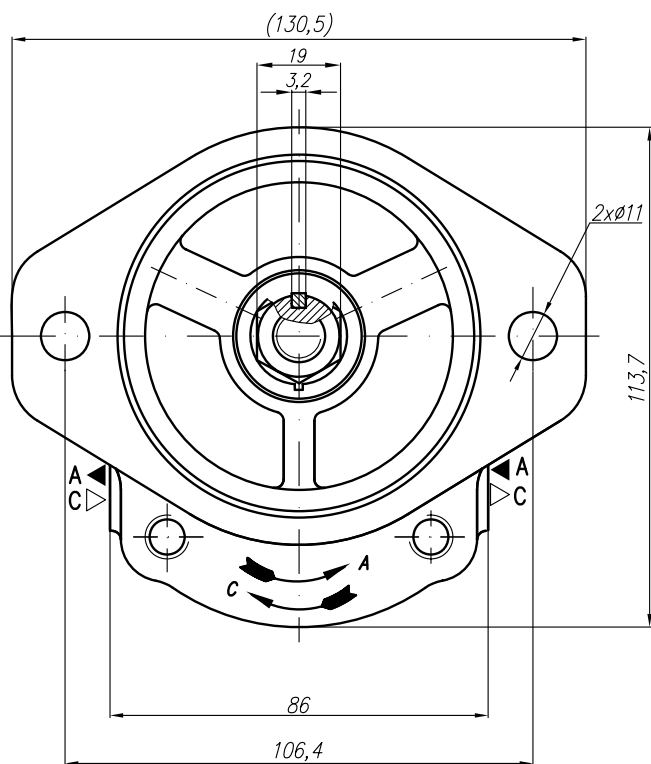
Rotation "A"



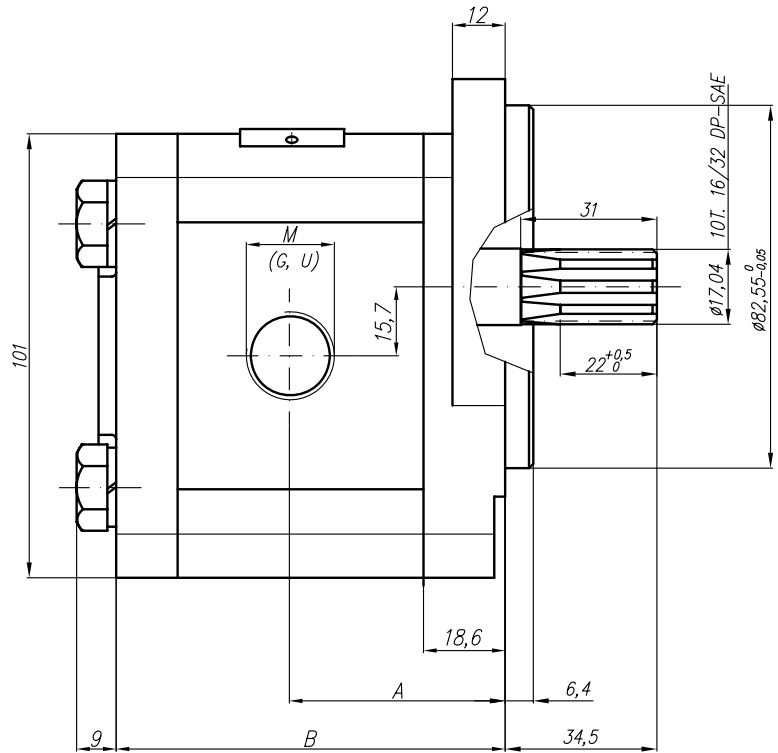
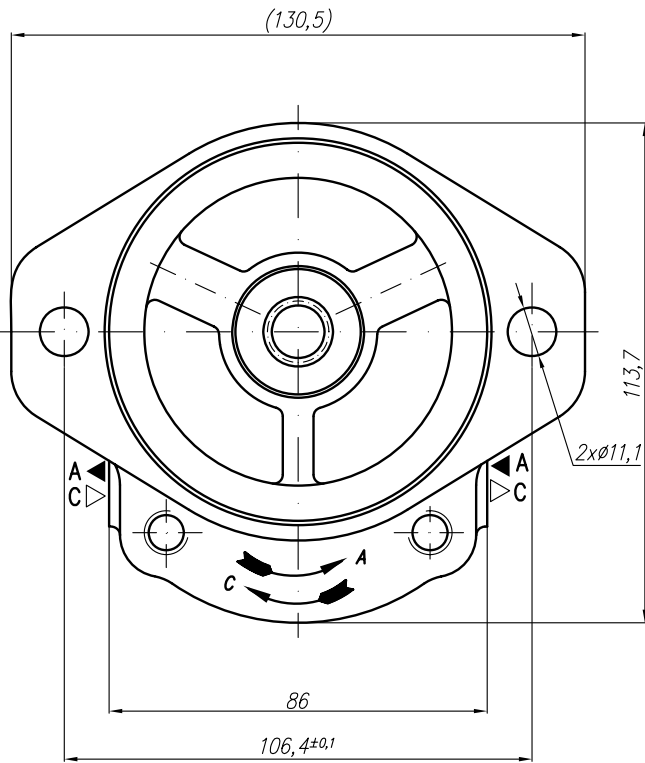
| Type | Displacement cm ³ /rev | Flow | | Pressure P _{nom} bar | max Speed n rpm | Dimension | | | | | | | | |
|---------------|--------------------------------------|----------------------|---------------------|-------------------------------------|-----------------------|-----------|---------|-------|----|-------------|--------|------|---|------------|
| | | at 1500 rpm l/min | at max rpm l/min | | | A mm | B mm | Inlet | | | Outlet | | | |
| | | | | | | | | E | F | d | E | F | d | |
| 20A(C)4,5X538 | 4,5 | 6,14 | 14,33 | 200 | 3500 | | | | | | | | | |
| 20A(C)6,3X538 | 6,3 | 8,69 | 20,29 | 200 | 3500 | | | | | | | | | |
| 20A(C)8,2X538 | 8,2 | 11,32 | 26,40 | 200 | 3500 | | | | | | | | | |
| 20A(C)10X538 | 10 | 13,95 | 32,55 | 200 | 3500 | | | | | | | | | |
| 20A(C)11X538 | 11,3 | 15,76 | 36,78 | 200 | 3500 | | | | | | | | | |
| 20A(C)12X538 | 12 | 16,92 | 39,48 | 200 | 3500 | | | | | | | | | |
| 20A(C)14X538 | 14 | 19,95 | 46,55 | 200 | 3500 | | | | | | | | | |
| 20A(C)15X538 | 15 | 21,60 | 36,00 | 200 | 2500 | | | | | | | | | |
| 20A(C)16X538 | 16 | 23,04 | 38,40 | 200 | 2500 | 65,3 | 106,5 | | | | | | | |
| 20A(C)19X538 | 19 | 27,36 | 45,60 | 200 | 2500 | | | 39,7 | 19 | | | | | |
| 20A(C)22X538 | 22 | 31,68 | 42,24 | 180 | 2000 | | | | | 5/16"-18UNC | | | | |
| 20A(C)25X538 | 25 | 36,00 | 48,00 | 160 | 2000 | | | | | | 30,2 | 14,2 | | 1/4"-20UNC |



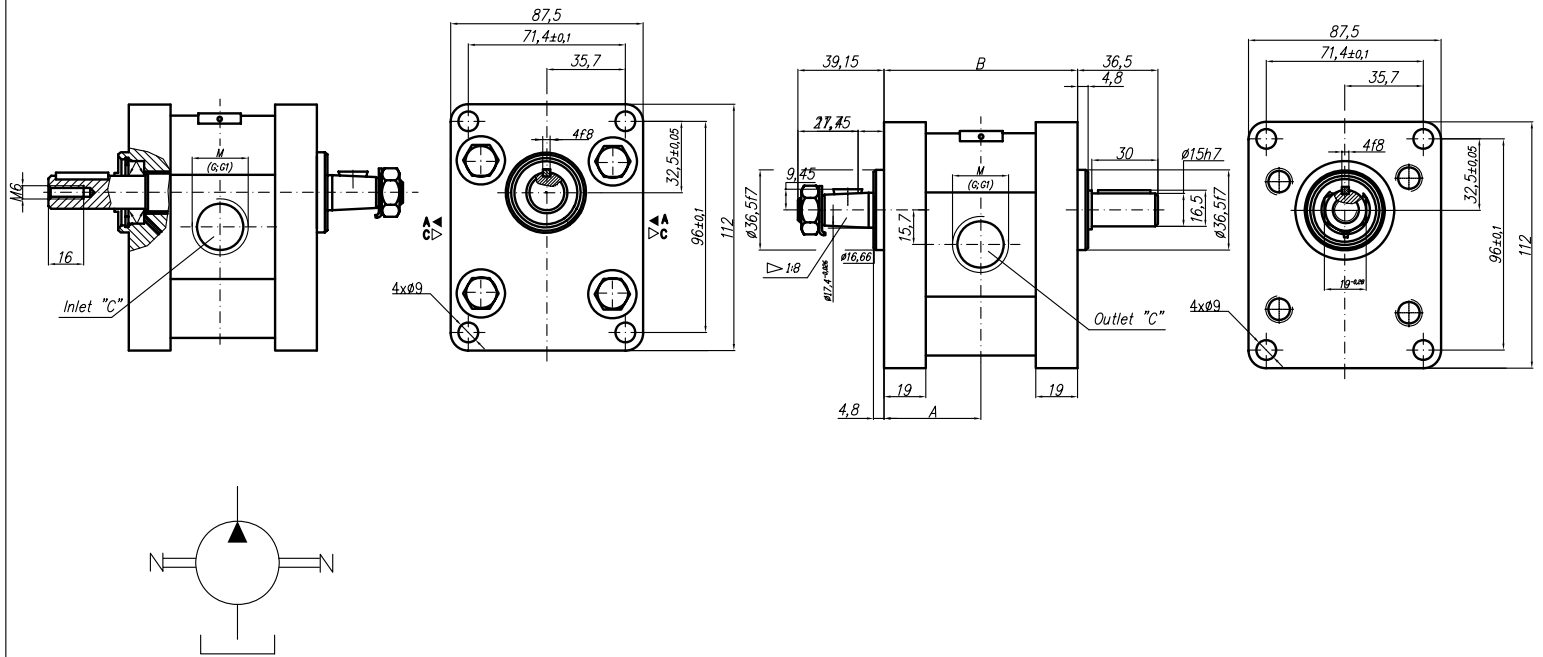
| Type | Displacement cm ³ /rev | Flow | | Pressure P _{nom} bar | max Speed n rpm | Dimension | | | | | |
|---------------|--------------------------------------|----------------------|---------------------|-------------------------------------|-----------------------|-----------|---|--------|---|---------|---------|
| | | at 1500 rpm l/min | at max rpm l/min | | | Inlet | | Outlet | | A mm | B mm |
| | | | | | | M | G | U | M | G | U |
| 20C4,5X540WMS | 4,5 | 6,14 | 14,33 | 250 | 3500 | | | | | | |
| 20C6,3X540WMS | 6,3 | 8,69 | 20,29 | 250 | 3500 | | | | | | |
| 20C8,2X540WMS | 8,2 | 11,32 | 26,40 | 250 | 3500 | | | | | | |
| 20C10X540WMS | 10 | 13,95 | 32,55 | 250 | 3500 | | | | | | |
| 20C11X540WMS | 11,3 | 15,76 | 36,78 | 250 | 3500 | | | | | | |
| 20C12X540WMS | 12 | 16,92 | 39,48 | 250 | 3500 | | | | | | |
| 20C14X540WMS | 14 | 19,95 | 46,55 | 250 | 3500 | | | | | | |
| 20C15X540WMS | 15 | 21,60 | 36,00 | 250 | 2500 | | | | | | |
| 20C16X540WMS | 16 | 23,04 | 38,40 | 250 | 2500 | | | | | | |
| 20C19X540WMS | 19 | 27,36 | 45,60 | 200 | 2500 | | | | | | |
| 20C22X540WMS | 22 | 31,68 | 42,24 | 180 | 2000 | | | | | | |
| 20C25X540WMS | 25 | 36,00 | 48,00 | 160 | 2000 | | | | | | |



| Type | Displacement cm ³ /rev | Flow | | Pressure P _{nom} bar | max Speed n rpm | Dimension | | | | | | | |
|---------------|--------------------------------------|----------------------|---------------------|-------------------------------------|-----------------------|-----------|---------|-------|------|-------|--------|------|----|
| | | at 1500 rpm l/min | at max rpm l/min | | | A mm | B mm | Inlet | | | Outlet | | |
| | | | | | | | | E | F | d | E | F | d |
| 20A(C)4,5X541 | 4,5 | 6,14 | 14,33 | 250 | 3500 | | | | | | | | |
| 20A(C)6,3X541 | 6,3 | 8,69 | 20,29 | 250 | 3500 | | | 30,2 | 13,1 | M6-6H | | 13,1 | |
| 20A(C)8,2X541 | 8,2 | 11,32 | 26,40 | 250 | 3500 | | | | | | | | |
| 20A(C)10X541 | 10 | 13,95 | 32,55 | 250 | 3500 | | | | | | | | |
| 20A(C)11X541 | 11,3 | 15,76 | 36,78 | 250 | 3500 | 48 | 106 | | | | | | |
| 20A(C)12X541 | 12 | 16,92 | 39,48 | 250 | 3500 | | | | | | 30,2 | | |
| 20A(C)14X541 | 14 | 19,95 | 46,55 | 250 | 3500 | | | | | | | 14,2 | |
| 20A(C)15X541 | 15 | 21,60 | 36,00 | 250 | 2500 | | | 39,7 | 19 | M8-6H | | | |
| 20A(C)16X541 | 16 | 23,04 | 38,40 | 250 | 2500 | | | | | | | | |
| 20A(C)19X541 | 19 | 27,36 | 45,60 | 200 | 2500 | | | | | | | | |
| 20A(C)22X541 | 22 | 31,68 | 42,24 | 180 | 2000 | | | | | | | | |
| 20A(C)25X541 | 25 | 36,00 | 48,00 | 160 | 2000 | | | | | | 39,7 | 19 | M8 |



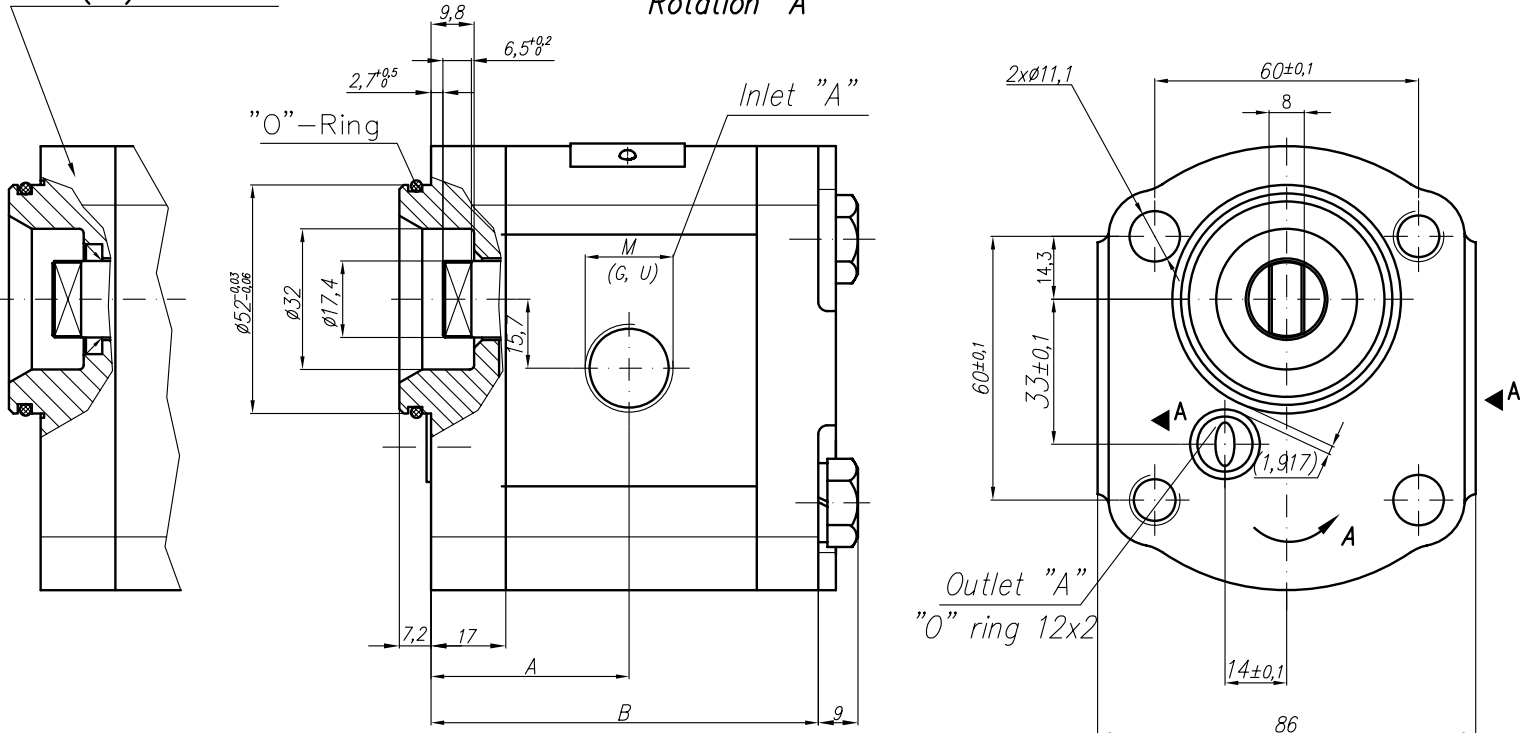
| Type | Displacement cm ³ /rev | Flow | | Pressure P _{nom} bar | max Speed n rpm | Dimension | | | | | | | |
|--------------------|--------------------------------------|----------------------|---------------------|-------------------------------------|-----------------------|-----------|---------|---------|---------|---------------|---------|------|------------|
| | | at 1500 rpm l/min | at max rpm l/min | | | Inlet | | Outlet | | | | | |
| | | | | | | A mm | B mm | M | G | U | M | G | U |
| 20A(C)4,5X554... | 4,5 | 6,14 | 14,33 | 250 | 3500 | 41,4 | 79,6 | M20x1,5 | G1/2 | 1 1/16"-12UNF | M16x1,5 | G1/2 | 7/8"-14UNF |
| 20A(C)6,3X554... | 6,3 | 8,69 | 20,29 | 250 | 3500 | 42,6 | 82,6 | | | | | | |
| 20A(C)8,2X554... | 8,2 | 11,32 | 26,40 | 250 | 3500 | 44,7 | 85,5 | | | | | | |
| 20A(C)10X554... | 10 | 13,95 | 32,55 | 250 | 3500 | 49,1 | 88,6 | | G3/4 | | | | |
| 20A(C)11X554... | 11,3 | 15,76 | 36,78 | 250 | 3500 | 49,1 | 90,7 | | | | | | |
| 20A(C)12X554... | 12 | 16,92 | 39,48 | 250 | 3500 | 49,1 | 91,9 | | | | | | |
| 20A(C)14X554... | 14 | 19,95 | 46,55 | 250 | 3500 | 49,1 | 95 | | M20X1,5 | | | | |
| 20A(C)15X554... | 15 | 21,60 | 36,00 | 250 | 2500 | 49,1 | 96,5 | | | | | | |
| 20A(C)16X554... | 16 | 23,04 | 38,40 | 250 | 2500 | 49,1 | 98,2 | | | | | | |
| 20A(C)19X554... | 19 | 27,36 | 45,60 | 200 | 2500 | 49,1 | 103,1 | | M20X1,5 | | | | |
| 20A(C)22X554... | 22 | 31,68 | 42,24 | 180 | 2000 | 56,6 | 108,1 | | | | | | |
| 20A(C)25X554... | 25 | 36,00 | 48,00 | 160 | 2000 | 58,8 | 113 | | | | | | |
| 20A(C)14X554H... | 14 | 20,16 | 47,04 | 250 | 3500 | 55,3 | 105,7 | M20x1,5 | G3/4 | 1 1/16"-12UNF | M16x1,5 | G1/2 | 7/8"-14UNF |
| 20A(C)15X554H... | 15 | 21,60 | 43,20 | 250 | 3000 | 55,6 | 106,8 | | | | | | |
| 20A(C)16X554H... | 16 | 23,04 | 46,08 | 250 | 3000 | 56,5 | 108,4 | | | | | | |
| 20A(C)17,3X554H... | 17,3 | 24,91 | 49,82 | 230 | 3000 | 57,6 | 110,5 | | M20x1,5 | | | | |
| 20A(C)18,2X554H... | 18,2 | 26,21 | 52,42 | 210 | 3000 | 58,4 | 112,1 | | | | | | |
| 20A(C)19X554H... | 19 | 27,36 | 54,72 | 200 | 3000 | 59 | 113,4 | | | | | | |
| 20A(C)22X554H... | 22 | 31,68 | 52,80 | 180 | 2500 | 61,5 | 118,4 | | M20x1,5 | | | | |
| 20A(C)25X554H... | 25 | 36,00 | 60,00 | 160 | 2500 | 63,9 | 123,3 | | | | | | |
| 20A(C)28X554H... | 28 | 40,32 | 67,20 | 130 | 2500 | 66,4 | 128,1 | | | | | | |
| 20A(C)32X554H... | 32 | 46,08 | 61,44 | 120 | 2000 | 69,6 | 134,4 | | M27x2 | | | | |
| 20A(C)36X554H... | 36 | 51,84 | 69,12 | 100 | 2000 | 72,8 | 141 | | | | | | |



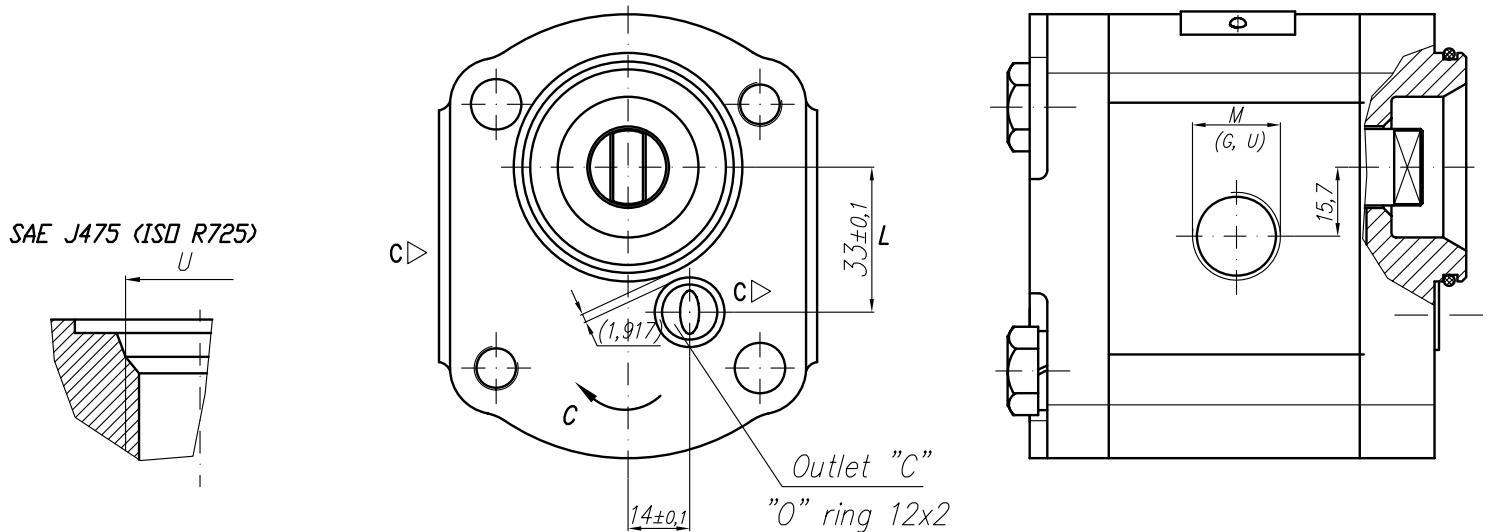
| Type | Displacement cm ³ /rev | Flow | | Pressure P _{nom} bar | max Speed n rpm | Dimension | | | | | | | |
|-------------------|--------------------------------------|----------------------|---------------------|-------------------------------------|-----------------------|-----------|---------|---------|--------|---------------|---------|------|------------|
| | | at 1500 rpm l/min | at max rpm l/min | | | Inlet | | | Outlet | | | | |
| | | | | | | A mm | B mm | M | G | U | M | G | U |
| 20A(C)4,5Y566D... | 4,5 | 6,14 | 14,33 | 250 | 3500 | 41,8 | 85 | M20x1,5 | G1/2 | 1 1/16"-12UNF | M16x1,5 | G1/2 | 7/8"-14UNF |
| 20A(C)6,3Y566D... | 6,3 | 8,69 | 20,29 | 250 | 3500 | 43 | 88 | | | | | | |
| 20A(C)8,2Y566D... | 8,2 | 11,32 | 26,40 | 250 | 3500 | 45,1 | 90,9 | | | | | | |
| 20A(C)10Y566D... | 10 | 13,95 | 32,55 | 250 | 3500 | 49,5 | 94 | | | | | | |
| 20A(C)11Y566D... | 11,3 | 15,76 | 36,78 | 250 | 3500 | 49,5 | 96 | | | | | | |
| 20A(C)12Y566D... | 12 | 16,92 | 39,48 | 250 | 3500 | 49,5 | 97,3 | | | | | | |
| 20A(C)14Y566D... | 14 | 19,95 | 46,55 | 250 | 3500 | 49,5 | 100,4 | | | | | | |
| 20A(C)15Y566D... | 15 | 21,60 | 36,00 | 250 | 2500 | 49,5 | 102 | | | | | | |
| 20A(C)16Y566D... | 16 | 23,04 | 38,40 | 250 | 2500 | 49,5 | 103,5 | | | | | | |
| 20A(C)19Y566D... | 19 | 27,36 | 45,60 | 200 | 2500 | 49,5 | 108,5 | | | | | | |
| 20A(C)22Y566D... | 22 | 31,68 | 42,24 | 180 | 2000 | 57 | 113,5 | | | | | | |

Variant with *simmerring* in front cover designation:

20A(C)...X567...AS



Rotation "C"

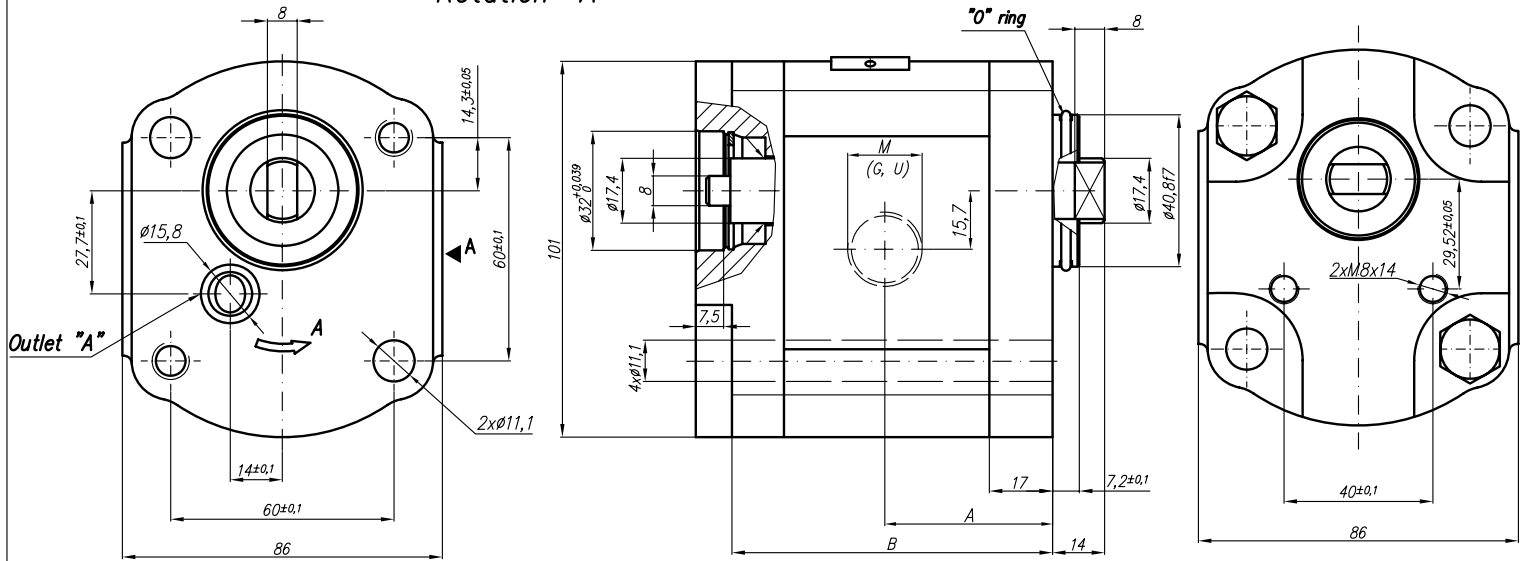


| Type | Displacement cm ³ /rev | Flow | | Pressure P _{nom} bar | max Speed n rpm | Dimension | | | | | | | |
|-----------------|--------------------------------------|----------------------|---------------------|-------------------------------------|-----------------------|-----------|---------|-------|---|---|--------|---|---|
| | | at 1500 rpm l/min | at max rpm l/min | | | A mm | B mm | Inlet | | | Outlet | | |
| | | | | | | | | M | G | U | M | G | U |
| 20A(C)4,5X495.. | 4,5 | 6,14 | 14,33 | 250 | 3500 | | | | | | | | |
| 20A(C)6,3X495.. | 6,3 | 8,69 | 20,29 | 250 | 3500 | | | | | | | | |
| 20A(C)8,2X495.. | 8,2 | 11,32 | 26,40 | 250 | 3500 | 36,6 | 74 | | | | | | |
| 20A(C)10X495.. | 10 | 13,95 | 32,55 | 250 | 3500 | | | | | | | | |
| 20A(C)11X495.. | 11,3 | 15,76 | 36,78 | 250 | 3500 | 42 | 85 | | | | | | |
| 20A(C)12X495.. | 12 | 16,92 | 39,48 | 250 | 3500 | | | | | | | | |
| 20A(C)14X495.. | 14 | 19,95 | 46,55 | 250 | 3500 | | | | | | | | |
| 20A(C)15X495.. | 15 | 21,60 | 36,00 | 250 | 2500 | | | | | | | | |
| 20A(C)16X495.. | 16 | 23,04 | 38,40 | 250 | 2500 | | | | | | | | |
| 20A(C)19X495.. | 19 | 27,36 | 45,60 | 200 | 2500 | | | | | | | | |
| 20A(C)22X495.. | 22 | 31,68 | 42,24 | 180 | 2000 | | | | | | | | |

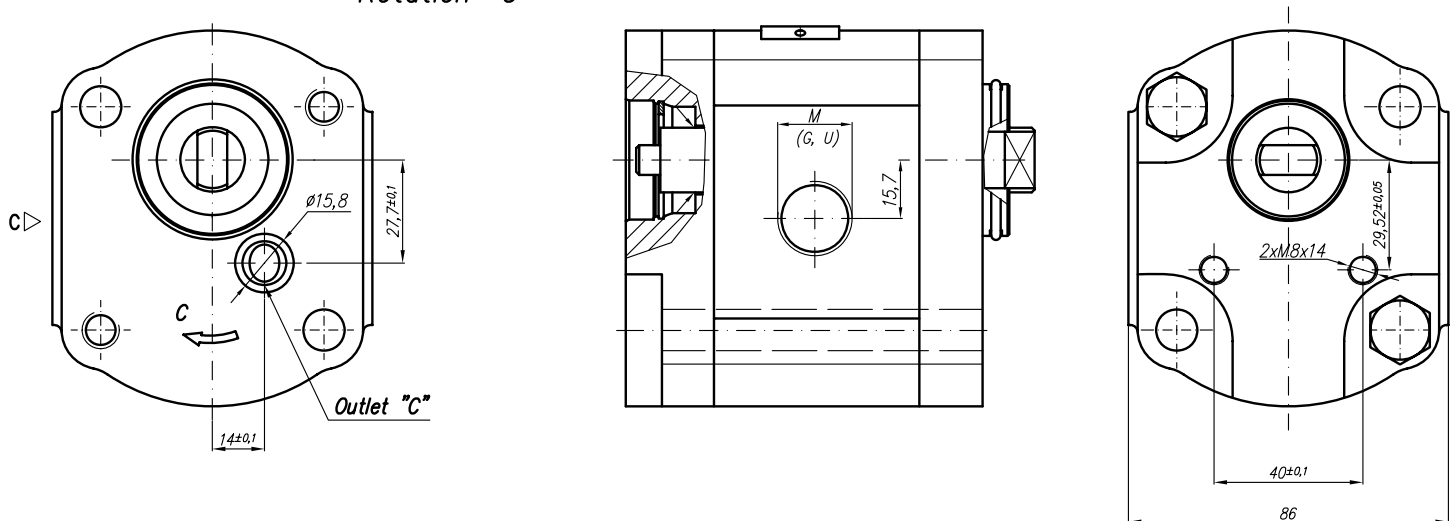
M16x1,5
G1/2
7/8-14UNF-2B

Designed as a first section of tandem pumps group 21A(C)...X573.../...

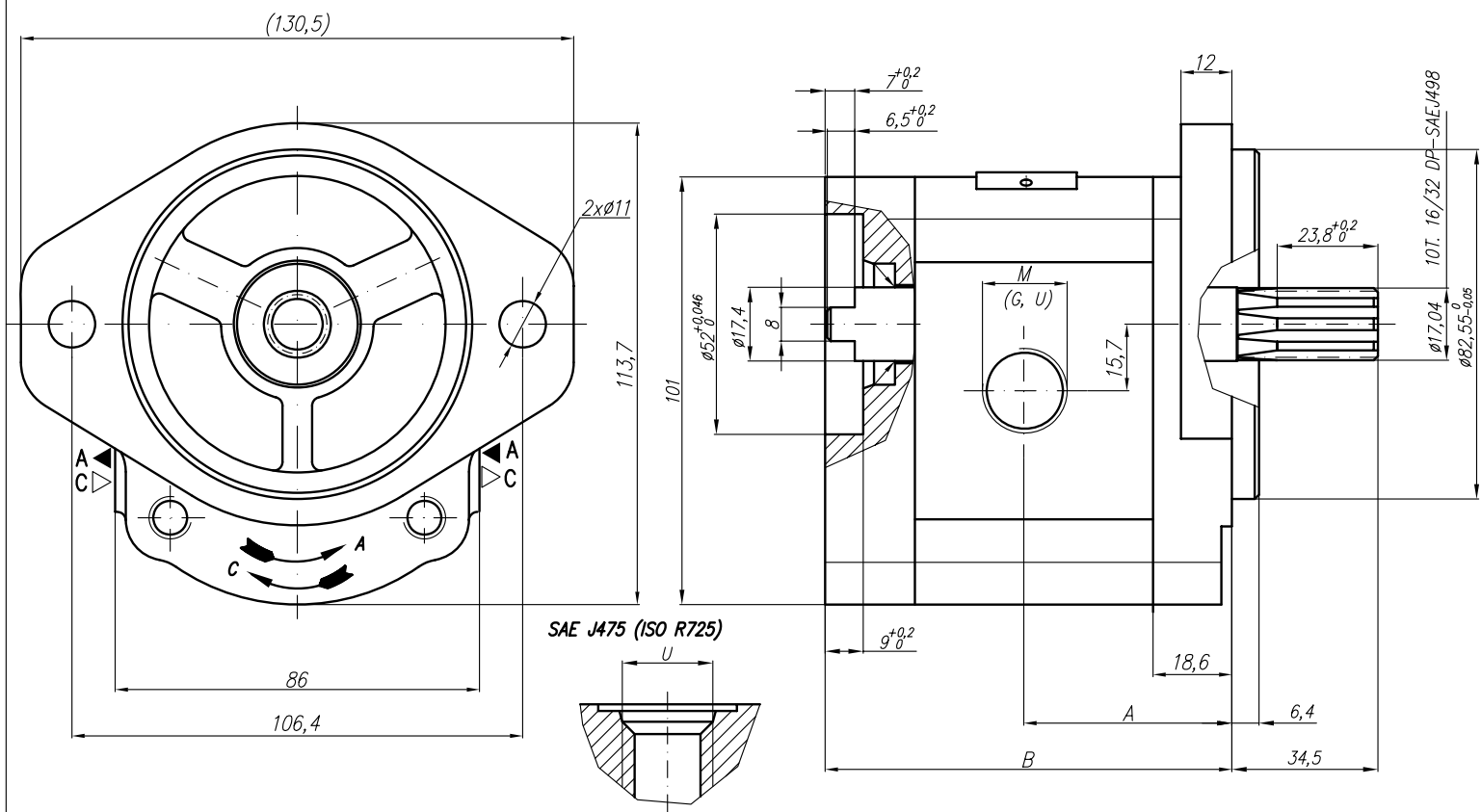
Rotation "A"



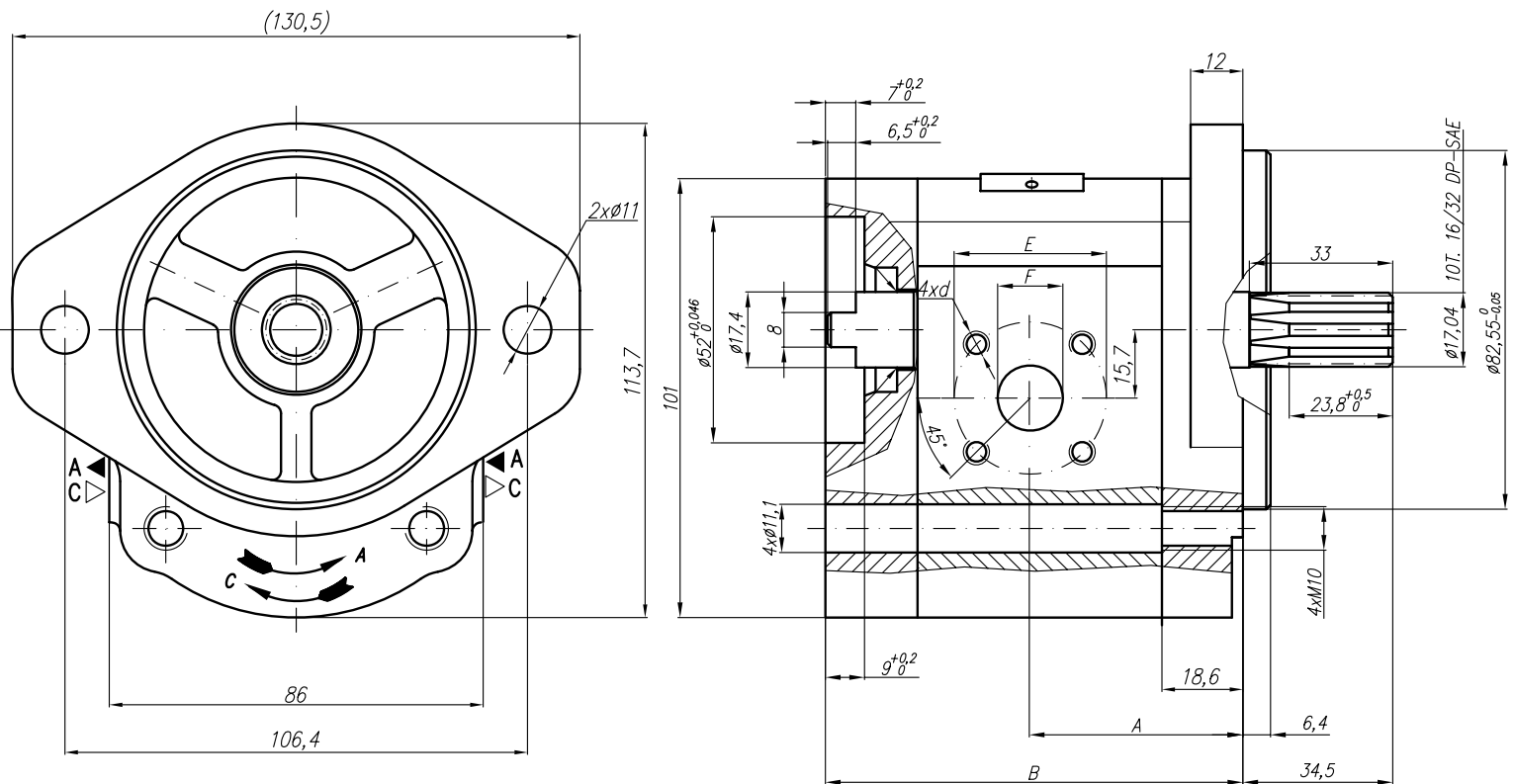
Rotation "C"



| Type | Displacement cm ³ /rev | Flow | | Pressure P _{nom} bar | max Speed n rpm | Dimension | | | | | | | | |
|------------------|--------------------------------------|----------------------|---------------------|-------------------------------------|-----------------------|-----------|---------|-------|------|---|--------|--|--|--|
| | | at 1500 rpm l/min | at max rpm l/min | | | A mm | B mm | Inlet | | | Outlet | | | |
| | | | | | | M | G | U | M | G | U | | | |
| 20A(C)4,5X573... | 4,5 | 6,14 | 14,33 | 250 | 3500 | 39,8 | 87,7 | | | | | | | |
| 20A(C)6,3X573... | 6,3 | 8,69 | 20,29 | 250 | 3500 | 41 | 90,7 | | G1/2 | | | | | |
| 20A(C)8,2X573... | 8,2 | 11,32 | 26,40 | 250 | 3500 | 43,1 | 93,6 | | | | | | | |
| 20A(C)10X573... | 10 | 13,95 | 32,55 | 250 | 3500 | 47,5 | 95,6 | | | | | | | |
| 20A(C)11X573... | 11,3 | 15,76 | 36,78 | 250 | 3500 | 47,5 | 98,7 | | | | | | | |
| 20A(C)12X573... | 12 | 16,92 | 39,48 | 250 | 3500 | 47,5 | 100 | | | | | | | |
| 20A(C)14X573... | 14 | 19,95 | 46,55 | 250 | 3500 | 47,5 | 103,1 | | | | | | | |
| 20A(C)15X573... | 15 | 21,60 | 36,00 | 250 | 2500 | 47,5 | 104,6 | | | | | | | |
| 20A(C)16X573... | 16 | 23,04 | 38,40 | 250 | 2500 | 47,5 | 106,2 | | | | | | | |
| 20A(C)19X573... | 19 | 27,36 | 45,60 | 200 | 2500 | 47,5 | 112,2 | | | | | | | |
| 20A(C)22X573... | 22 | 31,68 | 42,24 | 180 | 2000 | 55 | 116,2 | | | | | | | |
| 20A(C)25X573... | 25 | 36,00 | 48,00 | 160 | 2000 | 57,2 | 121,1 | | | | | | | |

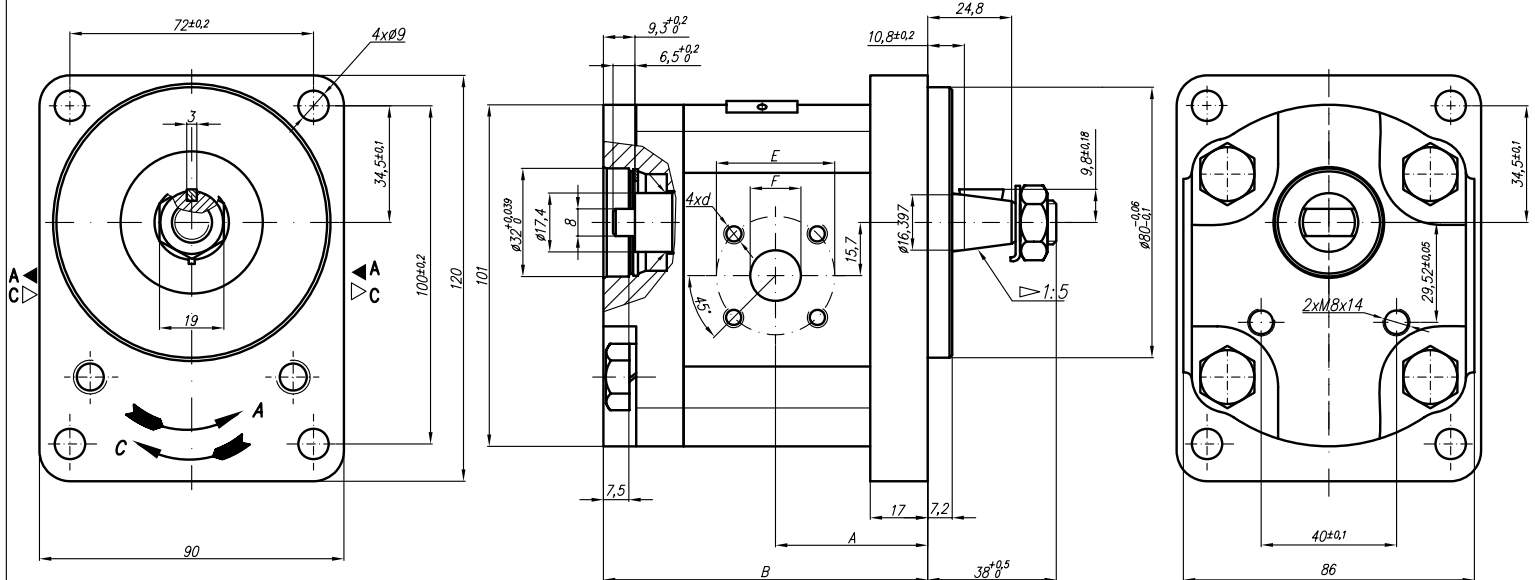


| Type | Displacement cm ³ /rev | Flow | | Pressure P _{nom} bar | max Speed n rpm | Dimension | | | | | | | |
|--------------------|--------------------------------------|----------------------|---------------------|-------------------------------------|-----------------------|-----------|---------|---------|------|---------------|---------|------|------------|
| | | at 1500 rpm l/min | at max rpm l/min | | | Inlet | | Outlet | | | | | |
| | | | | | | A mm | B mm | M | G | U | M | G | U |
| 20A(C)4,5X574... | 4,5 | 6,14 | 14,33 | 250 | 3500 | 41,4 | 86,8 | M20x1,5 | G1/2 | 1 1/16"-12UNF | M16x1,5 | G1/2 | 7/8"-14UNF |
| 20A(C)6,3X574... | 6,3 | 8,69 | 20,29 | 250 | 3500 | 42,6 | 89,8 | | | | | | |
| 20A(C)8,2X574... | 8,2 | 11,32 | 26,40 | 250 | 3500 | 44,7 | 92,7 | | | | | | |
| 20A(C)10X574... | 10 | 13,95 | 32,55 | 250 | 3500 | 49,1 | 95,7 | | | | | | |
| 20A(C)11X574... | 11,3 | 15,76 | 36,78 | 250 | 3500 | 49,1 | 97,8 | | | | | | |
| 20A(C)12X574... | 12 | 16,92 | 39,48 | 250 | 3500 | 49,1 | 99,1 | | | | | | |
| 20A(C)14X574... | 14 | 19,95 | 46,55 | 250 | 3500 | 49,1 | 102,2 | | | | | | |
| 20A(C)15X574... | 15 | 21,60 | 36,00 | 250 | 2500 | 49,1 | 103,7 | | | | | | |
| 20A(C)16X574... | 16 | 23,04 | 38,40 | 250 | 2500 | 49,1 | 105,3 | | | | | | |
| 20A(C)19X574... | 19 | 27,36 | 45,60 | 200 | 2500 | 49,1 | 110,3 | | | | | | |
| 20A(C)22X574... | 22 | 31,68 | 42,24 | 180 | 2000 | 56,6 | 115,3 | | | | | | |
| 20A(C)25X574... | 25 | 36,00 | 48,00 | 160 | 2000 | 58,8 | 120,2 | | | | | | |
| 20A(C)14X574H... | 14 | 20,16 | 47,04 | 250 | 3500 | 54,3 | 112,5 | M20x1,5 | G3/4 | 1 1/16"-12UNF | M16x1,5 | G1/2 | 7/8"-14UNF |
| 20A(C)15X574H... | 15 | 21,60 | 43,20 | 250 | 3000 | 55,6 | 114 | | | | | | |
| 20A(C)16X574H... | 16 | 23,04 | 46,08 | 250 | 3000 | 56,5 | 115,6 | | | | | | |
| 20A(C)17,3X574H... | 17,3 | 24,91 | 49,82 | 230 | 3000 | 57,6 | 117,7 | | | | | | |
| 20A(C)18,2X574H... | 18,2 | 26,21 | 52,42 | 210 | 3000 | 58,4 | 119,3 | | | | | | |
| 20A(C)19X574H... | 19 | 27,36 | 54,72 | 200 | 3000 | 59 | 120,6 | | | | | | |
| 20A(C)22X574H... | 22 | 31,68 | 52,80 | 180 | 2500 | 61,5 | 125,6 | | | | | | |
| 20A(C)25X574H... | 25 | 36,00 | 60,00 | 160 | 2500 | 63,9 | 130,5 | | | | | | |
| 20A(C)28X574H... | 28 | 40,32 | 67,20 | 130 | 2500 | 66,4 | 135,5 | | | | | | |
| 20A(C)32X574H... | 32 | 46,08 | 61,44 | 120 | 2000 | 69,6 | 141,6 | | | | | | |
| 20A(C)36X574H... | 36 | 51,84 | 69,12 | 100 | 2000 | 72,8 | 148,2 | | | | | | |
| | | | | | | | | | | | | | |

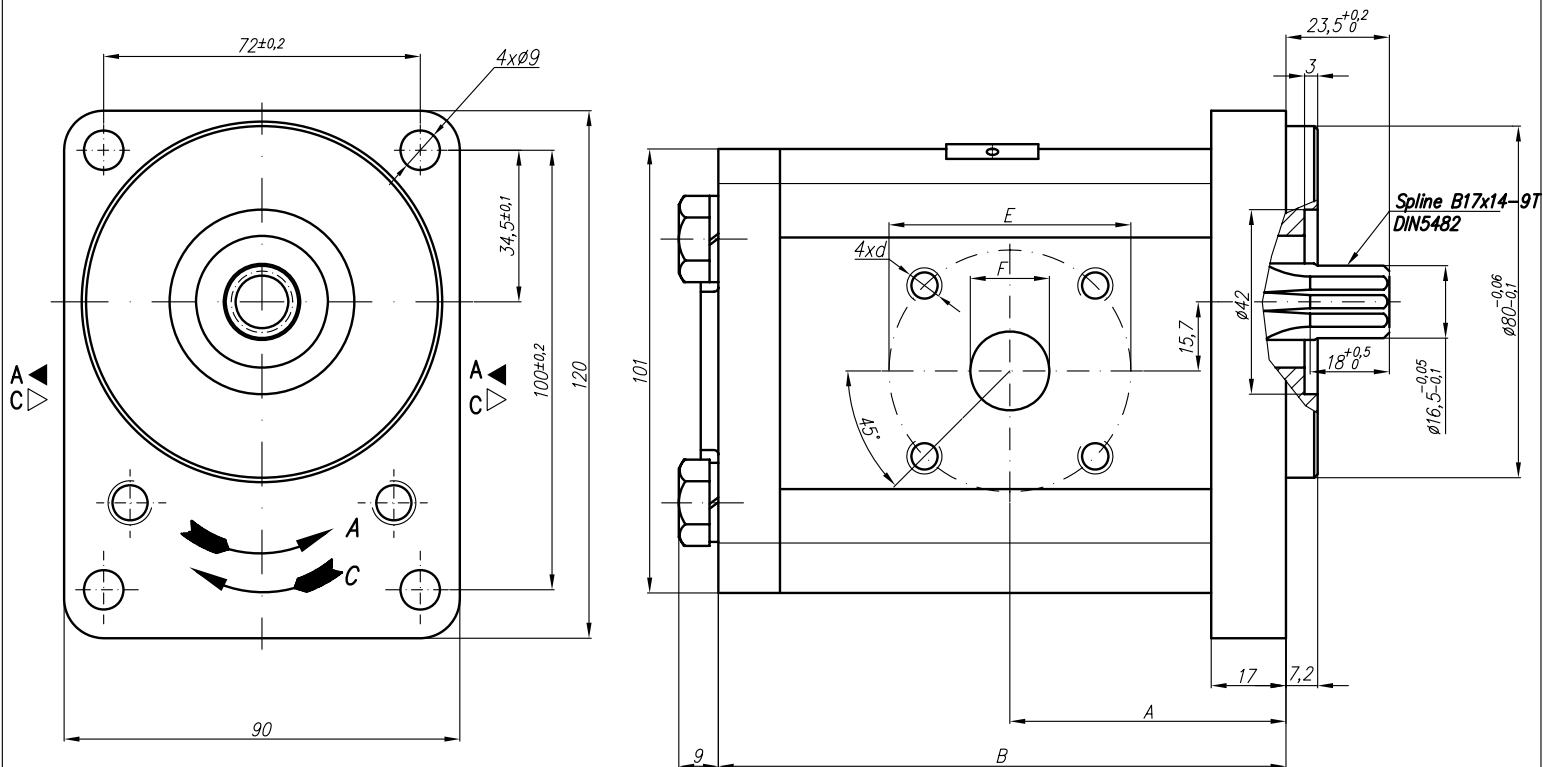


| Type | Displacement cm ³ /rev | Flow | | Pressure P _{nom} bar | max Speed n rpm | Dimension | | | | | | | | | | | | | |
|-----------------|--------------------------------------|----------------------|---------------------|-------------------------------------|-----------------------|-----------|---------|-------|----|-------|--------|----|-------|----|----|-------|----|----|-------|
| | | at 1500 rpm l/min | at max rpm l/min | | | A mm | B mm | Inlet | | | Outlet | | | | | | | | |
| 20A(C)4,5X577 | 4,5 | 6,14 | 14,33 | 250 | 3500 | 41,4 | 86,8 | 40 | 20 | M6-6H | 35 | 15 | M6-6H | | | | | | |
| 20A(C)6,3X577 | 6,3 | 8,69 | 20,29 | 250 | 3500 | 42,6 | 89,8 | | | | | | | | | | | | |
| 20A(C)8,2X577 | 8,2 | 11,32 | 26,40 | 250 | 3500 | 44,7 | 92,7 | | | | | | | | | | | | |
| 20A(C)10X577 | 10 | 13,95 | 32,55 | 250 | 3500 | 49,1 | 95,7 | | | | | | | | | | | | |
| 20A(C)11X577 | 11,3 | 15,76 | 36,78 | 250 | 3500 | 49,1 | 97,8 | | | | | | | | | | | | |
| 20A(C)12X577 | 12 | 16,92 | 39,48 | 250 | 3500 | 49,1 | 99,1 | | | | | | | | | | | | |
| 20A(C)14X577 | 14 | 19,95 | 46,55 | 250 | 3500 | 49,1 | 102,2 | | | | | | | | | | | | |
| 20A(C)15X577 | 15 | 21,60 | 36,00 | 250 | 2500 | 49,1 | 103,7 | | | | | | | | | | | | |
| 20A(C)16X577 | 16 | 23,04 | 38,40 | 250 | 2500 | 49,1 | 105,3 | | | | | | | | | | | | |
| 20A(C)19X577 | 19 | 27,36 | 45,60 | 200 | 2500 | 49,1 | 110,3 | | | | | | | | | | | | |
| 20A(C)22X577 | 22 | 31,68 | 42,24 | 180 | 2000 | 56,6 | 115,3 | | | | | | | | | | | | |
| 20A(C)25X577 | 25 | 36,00 | 48,00 | 160 | 2000 | 58,8 | 120,2 | | | | | | | | | | | | |
| 20A(C)14X577H | 14 | 20,16 | 47,04 | 250 | 3500 | 54,3 | 112,5 | | | | | | | 40 | 20 | M6-6H | 35 | 15 | M6-6H |
| 20A(C)15X577H | 15 | 21,60 | 43,20 | 250 | 3000 | 55,6 | 114 | | | | | | | | | | | | |
| 20A(C)16X577H | 16 | 23,04 | 46,08 | 250 | 3000 | 56,5 | 115,6 | | | | | | | | | | | | |
| 20A(C)17,3X577H | 17,3 | 24,91 | 49,82 | 230 | 3000 | 57,6 | 117,7 | | | | | | | | | | | | |
| 20A(C)18,2X577H | 18,2 | 26,21 | 52,42 | 210 | 3000 | 58,4 | 119,3 | | | | | | | | | | | | |
| 20A(C)19X577H | 19 | 27,36 | 54,72 | 200 | 3000 | 59 | 120,6 | | | | | | | | | | | | |
| 20A(C)22X577H | 22 | 31,68 | 52,80 | 180 | 2500 | 61,5 | 125,6 | | | | | | | | | | | | |
| 20A(C)25X577H | 25 | 36,00 | 60,00 | 160 | 2500 | 63,9 | 130,5 | | | | | | | | | | | | |
| 20A(C)28X577H | 28 | 40,32 | 67,20 | 130 | 2500 | 66,4 | 135,5 | | | | | | | | | | | | |
| 20A(C)32X577H | 32 | 46,08 | 61,44 | 120 | 2000 | 69,6 | 141,6 | | | | | | | | | | | | |
| 20A(C)36X577H | 36 | 51,84 | 69,12 | 100 | 2000 | 72,8 | 148,2 | | | | | | | | | | | | |

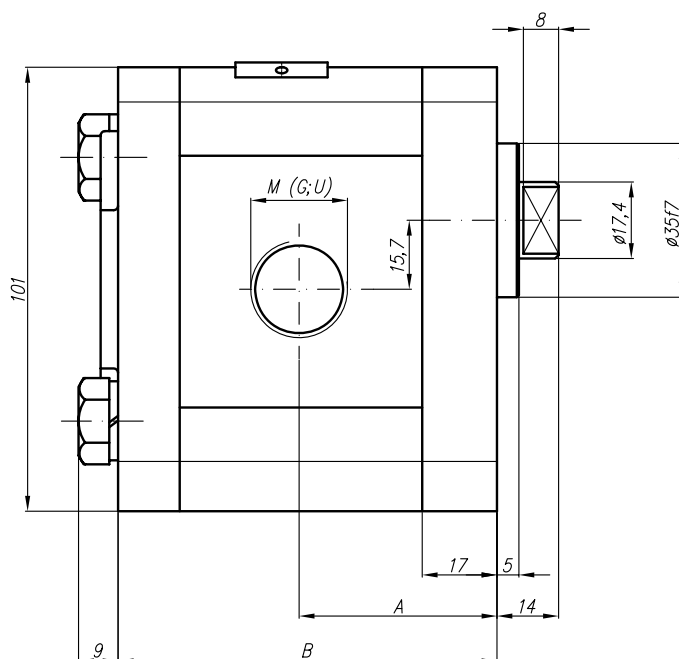
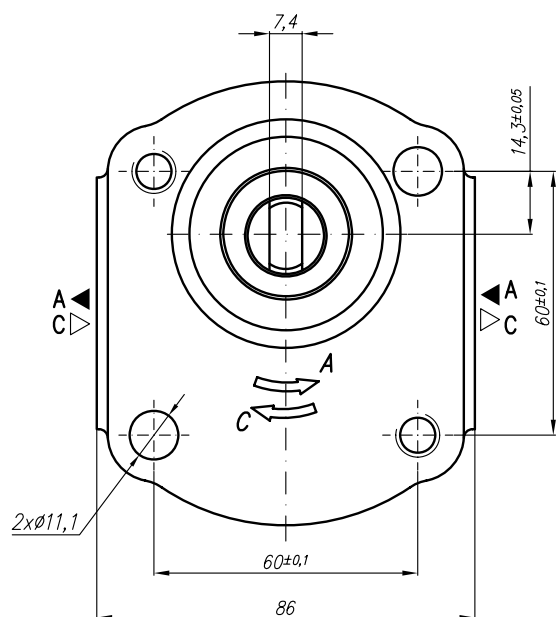
Designed as a first section of tandem gear pumps group 21A(C)...X578/... (lgroup/lgroup).



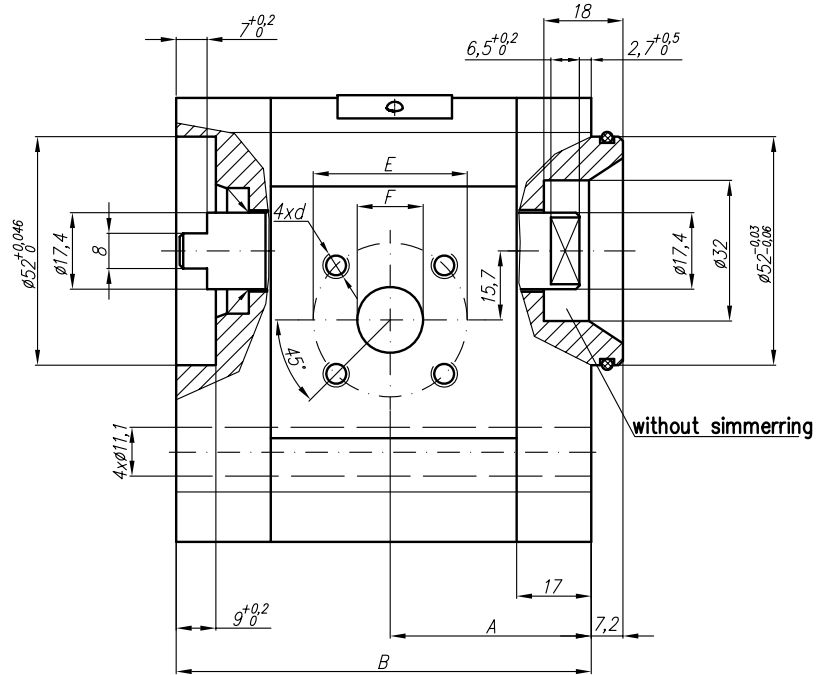
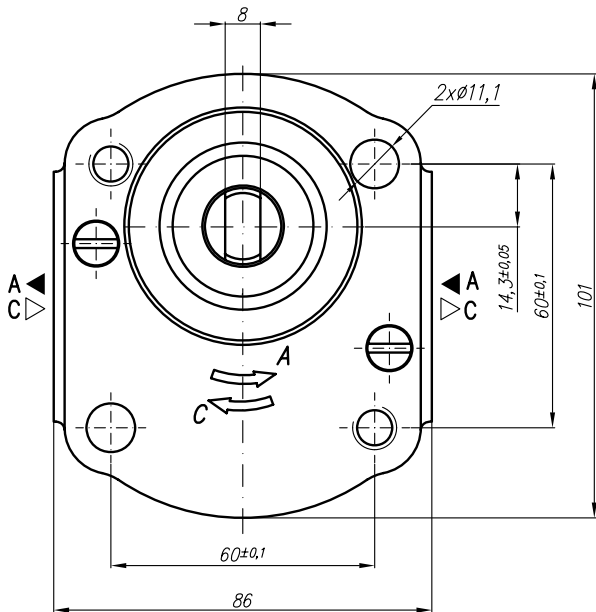
| Type | Displacement cm ³ /rev | Flow | | Pressure P _{nom} bar | max Speed n rpm | Dimension | | | | | | | |
|---------------|--------------------------------------|----------------------|---------------------|-------------------------------------|-----------------------|-----------|---------|--------|----|-------|----|----|-------|
| | | at 1500 rpm l/min | at max rpm l/min | | | Inlet | | Outlet | | | | | |
| | | | | | | A mm | B mm | E | F | d | E | F | d |
| 20A(C)4,5X578 | 4,5 | 6,14 | 14,33 | 250 | 3500 | 39,8 | 87,6 | 40 | 15 | M6-6H | 35 | 15 | M6-6H |
| 20A(C)6,3X578 | 6,3 | 8,69 | 20,29 | 250 | 3500 | 41 | 90,6 | | | | | | |
| 20A(C)8,2X578 | 8,2 | 11,32 | 26,40 | 250 | 3500 | 43,1 | 93,5 | | | | | | |
| 20A(C)10X578 | 10 | 13,95 | 32,55 | 250 | 3500 | 47,5 | 96,6 | | | | | | |
| 20A(C)11X578 | 11,3 | 15,76 | 36,78 | 250 | 3500 | 47,5 | 98,7 | | | | | | |
| 20A(C)12X578 | 12 | 16,92 | 39,48 | 250 | 3500 | 47,5 | 99,9 | | | | | | |
| 20A(C)14X578 | 14 | 19,95 | 46,55 | 250 | 3500 | 47,5 | 103 | | | | | | |
| 20A(C)15X578 | 15 | 21,60 | 36,00 | 250 | 2500 | 47,5 | 104,5 | | | | | | |
| 20A(C)16X578 | 16 | 23,04 | 38,40 | 250 | 2500 | 47,5 | 106,2 | | | | | | |
| 20A(C)19X578 | 19 | 27,36 | 45,60 | 200 | 2500 | 47,5 | 111,1 | | | | | | |
| 20A(C)22X578 | 22 | 31,68 | 42,24 | 180 | 2000 | 55 | 116,1 | | | | | | |
| 20A(C)25X578 | 25 | 36,00 | 48,00 | 160 | 2000 | 57,2 | 121,1 | | | | | | |



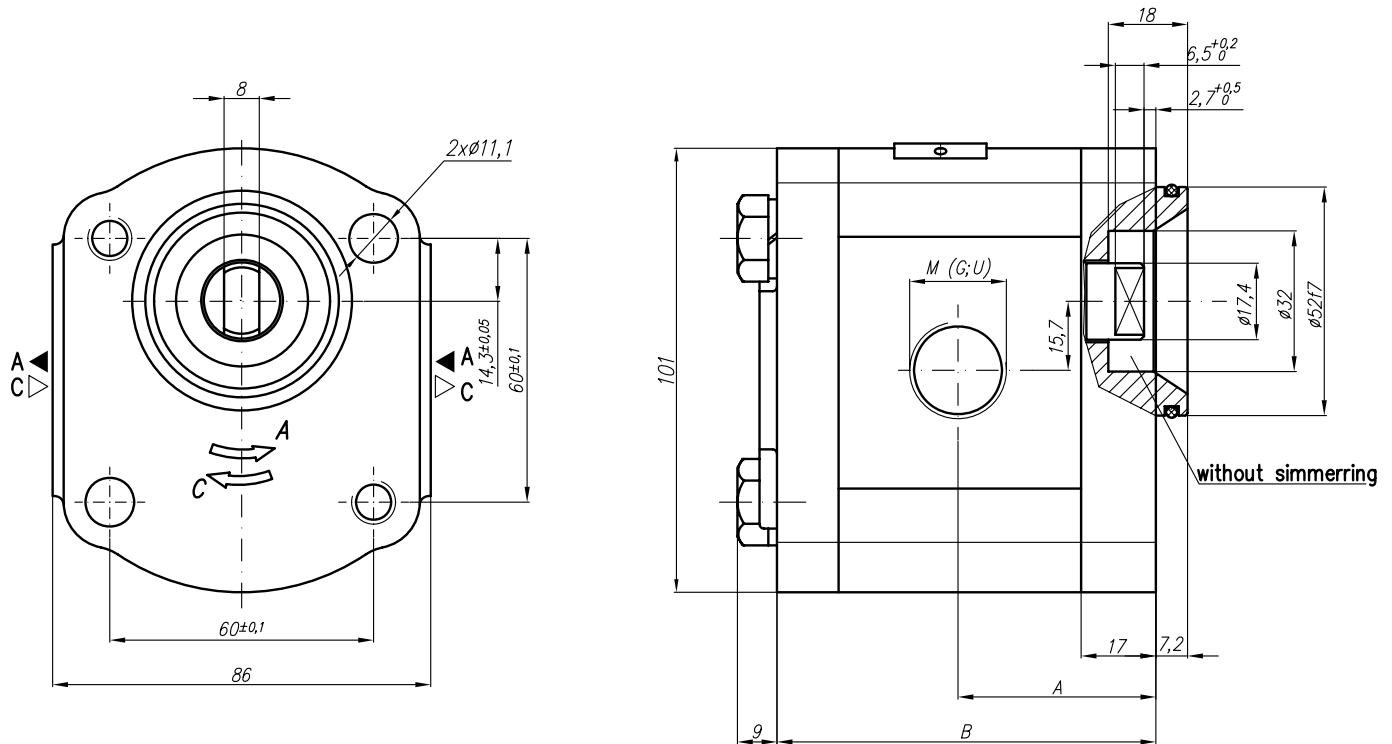
| Type | Displacement cm ³ /rev | Flow | | Pressure P _{nom} bar | max Speed n rpm | Dimension | | | | | | | |
|----------------|--------------------------------------|----------------------|---------------------|-------------------------------------|-----------------------|-----------|---------|-------|----|-------|--------|----|-------|
| | | at 1500 rpm l/min | at max rpm l/min | | | A mm | B mm | Inlet | | | Outlet | | |
| | | | | | | | | E | F | d | E | F | d |
| 20A(C)14X581 | 14 | 20,16 | | | | | | | | | | | |
| 20A(C)15X581 | 15 | 21,60 | | | | | | | | | | | |
| 20A(C)16X581 | 16 | 23,04 | | | | | | | | | | | |
| 20A(C)17,3X581 | 17,3 | 24,91 | | | | | | | | | | | |
| 20A(C)18,2X581 | 18,2 | 26,21 | | | | | | | | | | | |
| 20A(C)19X581 | 19 | 27,36 | | | | | | | | | | | |
| 20A(C)22X581 | 22 | 31,68 | | | | | | | | | | | |
| 20A(C)25X581 | 25 | 36,00 | | | | | | | | | | | |
| 20A(C)28X581 | 28 | 40,32 | 67,20 | 50 | 2500 | | | 55 | 29 | M8-6H | 55 | 18 | M8-6H |
| 20A(C)32X581 | 32 | 46,08 | 61,44 | 50 | 2000 | | | | | | | | |
| 20A(C)36X581 | 36 | 51,84 | 69,12 | 50 | 2000 | 62,8 | 129,1 | | | | | | |



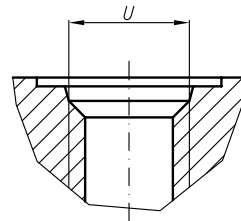
| Type | Displacement cm ³ /rev | Flow | | Pressure P _{nom} bar | max Speed n rpm | Dimension | | | | | | | |
|------------------|--------------------------------------|----------------------|---------------------|-------------------------------------|-----------------------|-----------|---------|---------|---|---|---------|---|---|
| | | at 1500 rpm l/min | at max rpm l/min | | | A mm | B mm | Inlet | | | Outlet | | |
| | | | | | | | | M | G | U | M | G | U |
| 20A(C)4,5X583... | 4,5 | 6,14 | 14,33 | 250 | 3500 | 37,3 | 75,1 | M18x1,5 | | | M18x1,5 | | |
| 20A(C)6,3X583... | 6,3 | 8,69 | 20,29 | 250 | 3500 | 38,6 | 78 | | | | | | |
| 20A(C)8,2X583... | 8,2 | 11,32 | 26,40 | 250 | 3500 | 40,6 | 78 | | | | | | |
| 20A(C)10X583... | 10 | 13,95 | 32,55 | 250 | 3500 | 45 | 87 | | | | | | |
| 20A(C)11X583... | 11,3 | 15,76 | 36,78 | 250 | 3500 | 45 | 89,1 | | | | | | |
| 20A(C)12X583... | 12 | 16,92 | 39,48 | 250 | 3500 | 45 | 90,3 | | | | | | |
| 20A(C)14X583... | 14 | 19,95 | 46,55 | 250 | 3500 | | | | | | | | |
| 20A(C)15X583... | 15 | 21,60 | 36,00 | 250 | 2500 | | | | | | | | |
| 20A(C)16X583... | 16 | 23,04 | 38,40 | 250 | 2500 | | | | | | | | |
| 20A(C)19X583... | 19 | 27,36 | 45,60 | 200 | 2500 | | | | | | | | |
| 20A(C)22X583... | 22 | 31,68 | 42,24 | 180 | 2000 | | | | | | | | |
| 20A(C)25X583... | 25 | 36,00 | 48,00 | 160 | 2000 | | | | | | | | |



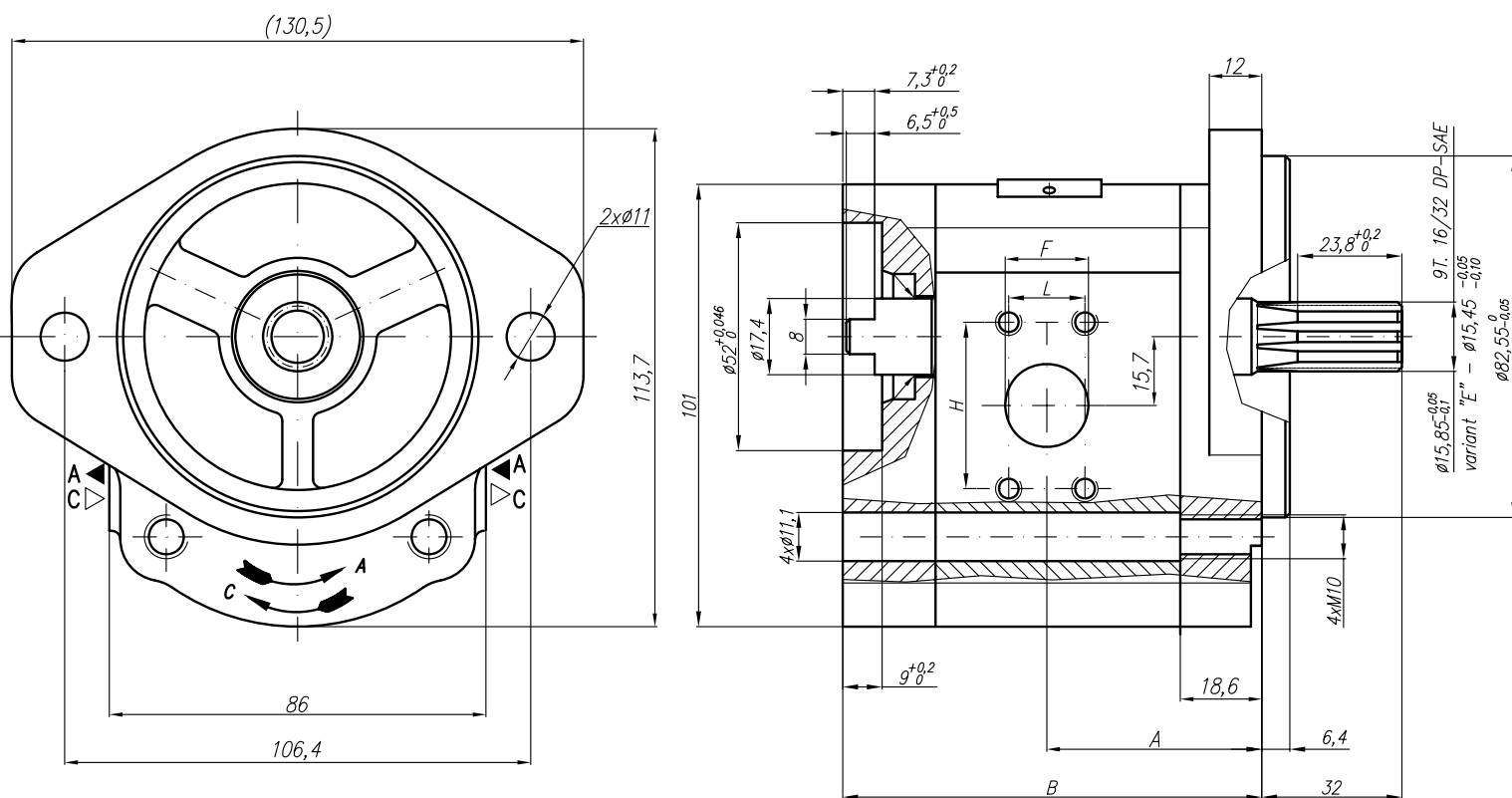
| Type | Displacement cm ³ /rev | Flow | | Pressure P _{nom} bar | max Speed n rpm | Dimension | | | | | | | | |
|-----------------|--------------------------------------|----------------------|---------------------|-------------------------------------|-----------------------|-----------|---------|-------|----|-------|--------|----|-------|--|
| | | at 1500 rpm l/min | at max rpm l/min | | | A mm | B mm | Inlet | | | Outlet | | | |
| | | | | | | E | F | d | E | F | d | | | |
| 20A(C)4,5X586B | 4,5 | 6,14 | 14,33 | 250 | 3500 | 40,5 | 85,2 | 40 | 20 | M6-6H | 35 | 15 | M6-6H | |
| 20A(C)6,3X586B | 6,3 | 8,69 | 20,29 | 250 | 3500 | 42 | 88,2 | | | | | | | |
| 20A(C)7X586B | 7 | 9,66 | 22,54 | 250 | 3500 | 42,5 | 89,3 | | | | | | | |
| 20A(C)8,2X586B | 8,2 | 11,32 | 26,40 | 250 | 3500 | 43,5 | 91,1 | | | | | | | |
| 20A(C)10X586B | 10 | 13,95 | 32,55 | 250 | 3500 | 45 | 94,1 | | | | | | | |
| 20A(C)11X586B | 11,3 | 15,76 | 36,78 | 250 | 3500 | 46 | 96,2 | | | | | | | |
| 20A(C)12X586B | 12 | 16,92 | 39,48 | 250 | 3500 | 46,6 | 97,5 | | | | | | | |
| 20A(C)14X586B | 14 | 19,95 | 46,55 | 250 | 3500 | 48 | 100,6 | | | | | | | |
| 20A(C)15X586B | 15 | 21,60 | 36,00 | 250 | 2500 | 49 | 102,1 | | | | | | | |
| 20A(C)16X586B | 16 | 23,04 | 38,40 | 250 | 2500 | 50 | 103,8 | | | | | | | |
| 20A(C)17,3X586B | 17,3 | 24,91 | 41,52 | 230 | 2500 | 50,8 | 105,8 | | | | | | | |
| 20A(C)19X586B | 19 | 27,36 | 45,60 | 200 | 2500 | 52 | 108,7 | | | | | | | |
| 20A(C)22X586B | 22 | 31,68 | 42,24 | 180 | 2000 | 55 | 113,7 | | | | | | | |
| 20A(C)25X586B | 25 | 36,00 | 48,00 | 160 | 2000 | 57,2 | 118,5 | | | | | | | |



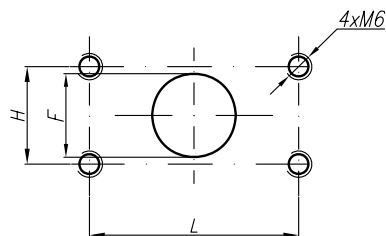
SAE J475 (ISO R725)



| Type | Displacement cm ³ /rev | Flow | | Pressure P _{nom} bar | max Speed n rpm | Dimension | | | | | | | |
|------------------|--------------------------------------|----------------------|---------------------|-------------------------------------|-----------------------|-----------|---------|---------|---------------|---------------|---------|------|------------|
| | | at 1500 rpm l/min | at max rpm l/min | | | Inlet | | Outlet | | | | | |
| | | | | | | A mm | B mm | M | G | U | M | G | U |
| 20A(C)4,5X588... | 4,5 | 6,14 | 14,33 | 250 | 3500 | 39,8 | 78 | M20x1,5 | G1/2 | 1 1/16"-12UNF | M16x1,5 | G1/2 | 7/8"-14UNF |
| 20A(C)6,3X588... | 6,3 | 8,69 | 20,29 | 250 | 3500 | 41 | 81 | | | | | | |
| 20A(C)8,2X588... | 8,2 | 11,32 | 26,40 | 250 | 3500 | 43,1 | 83,9 | | | | | | |
| 20A(C)10X588... | 10 | 13,95 | 32,55 | 250 | 3500 | 47,5 | 87 | | G3/4 | | | | |
| 20A(C)11X588... | 11,3 | 15,76 | 36,78 | 250 | 3500 | 47,5 | 89,1 | | | | | | |
| 20A(C)12X588... | 12 | 16,92 | 39,48 | 250 | 3500 | 47,5 | 90,3 | | | | | | |
| 20A(C)14X588... | 14 | 19,95 | 46,55 | 250 | 3500 | 47,5 | 93,4 | | 1 1/16"-12UNF | | | | |
| 20A(C)15X588... | 15 | 21,60 | 36,00 | 250 | 2500 | 47,5 | 95 | | | | | | |
| 20A(C)16X588... | 16 | 23,04 | 38,40 | 250 | 2500 | 47,5 | 96,6 | | | | | | |
| 20A(C)19X588... | 19 | 27,36 | 45,60 | 200 | 2500 | 47,5 | 101,5 | | M20X1,5 | | | | |
| 20A(C)22X588... | 22 | 31,68 | 42,24 | 180 | 2000 | 55 | 106,5 | | | | | | |
| 20A(C)25X588... | 25 | 36,00 | 48,00 | 160 | 2000 | 57,2 | 111,4 | | | | | | |

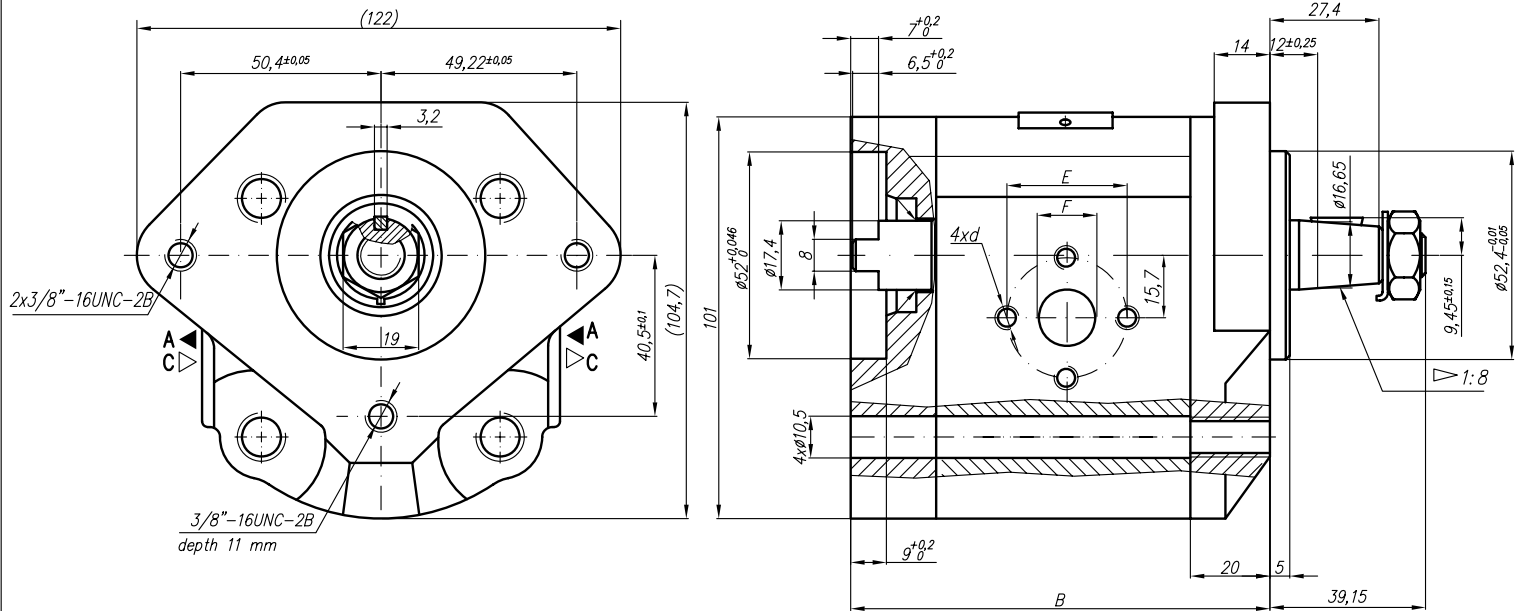


At pump displacement above 10ccm the Inlet port is rotated:



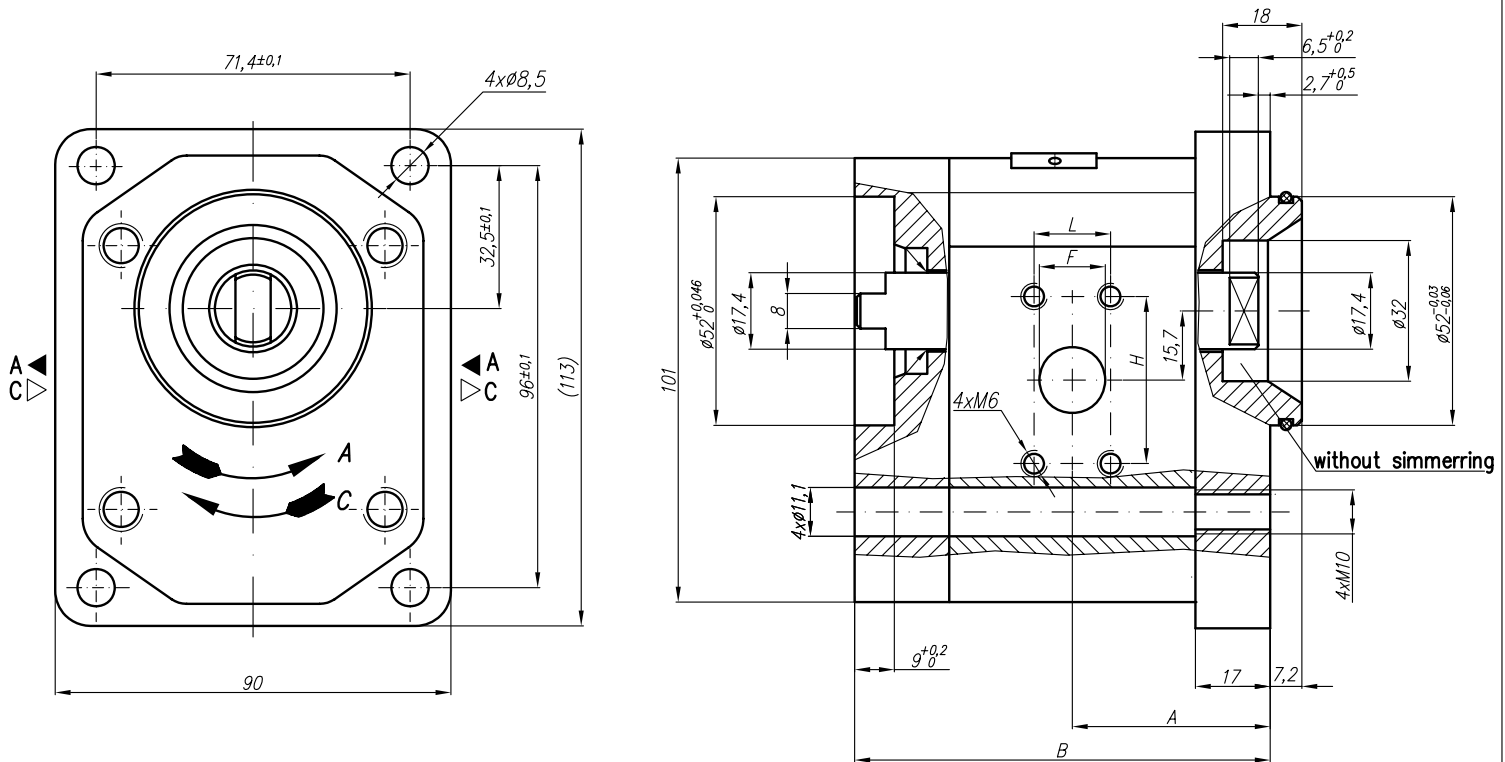
| Type | Displacement cm ³ /rev | Flow | | Pressure P _{nom} bar | max Speed n rpm | Dimension | | | | | | | |
|---------------|--------------------------------------|----------------------|---------------------|-------------------------------------|-----------------------|-----------|---------|---------|---------|---------|---------|---------|---------|
| | | at 1500 rpm l/min | at max rpm l/min | | | Inlet | | | Outlet | | | | |
| | | | | | | A mm | B mm | H mm | L mm | F mm | H mm | L mm | F mm |
| 20A(C)4,5X590 | 4,5 | 6,14 | 14,33 | 250 | 3500 | | | | | | | | |
| 20A(C)6,3X590 | 6,3 | 8,69 | 20,29 | 250 | 3500 | | | 38,1 | 17,4 | 15 | | | |
| 20A(C)8,2X590 | 8,2 | 11,32 | 26,40 | 250 | 3500 | | | | | | | | |
| 20A(C)10X590 | 10 | 13,95 | 32,55 | 250 | 3500 | 43,5 | 95,7 | | | | | | |
| 20A(C)11X590 | 11,3 | 15,76 | 36,78 | 250 | 3500 | | | | | | | | |
| 20A(C)12X590 | 12 | 16,92 | 39,48 | 250 | 3500 | | | | | | | | |
| 20A(C)14X590 | 14 | 19,95 | 46,55 | 250 | 3500 | | | | | | | | |
| 20A(C)15X590 | 15 | 21,60 | 36,00 | 250 | 2500 | | | | | | | | |
| 20A(C)16X590 | 16 | 23,04 | 38,40 | 250 | 2500 | | | 22,2 | 47,6 | 19 | | | |
| 20A(C)19X590 | 19 | 27,36 | 45,60 | 200 | 2500 | | | | | | | | |
| 20A(C)22X590 | 22 | 31,68 | 42,24 | 180 | 2000 | | | | | | | | |
| 20A(C)25X590 | 25 | 36,00 | 48,00 | 160 | 2000 | | | | | 25 | 38,1 | 17,4 | 15 |

Designed as 1 section of tandem pump 22A(C)...X596/...X597

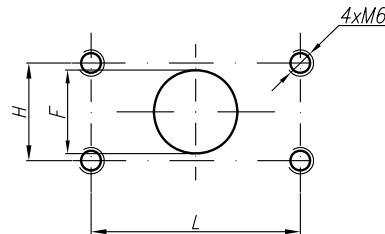


| Type | Displacement cm ³ /rev | Flow | | Pressure P _{nom} bar | max Speed n rpm | Dimension | | | | | | | |
|---------------|--------------------------------------|----------------------|---------------------|-------------------------------------|-----------------------|-----------|---------|-------|------|-------|--------|------|-------|
| | | at 1500 rpm l/min | at max rpm l/min | | | A mm | B mm | Inlet | | | Outlet | | |
| | | | | | | | | E | F | d | E | F | d |
| 20A(C)4,5X596 | 4,5 | 6,14 | 14,33 | 250 | 3500 | 43,5 | 88,2 | 30,2 | 13,1 | M6-6H | 30,2 | 13,1 | |
| 20A(C)6,3X596 | 6,3 | 8,69 | 20,29 | 250 | 3500 | 45 | 91,2 | | | | | | |
| 20A(C)8,2X596 | 8,2 | 11,32 | 26,40 | 250 | 3500 | 46,5 | 94,1 | 39,7 | 19 | M8-6H | 30,2 | 14,2 | M6-6H |
| 20A(C)10X596 | 10 | 13,95 | 32,55 | 250 | 3500 | 48 | 97,2 | | | | | | |
| 20A(C)11X596 | 11,3 | 15,76 | 36,78 | 250 | 3500 | 49 | 99,2 | 39,7 | 19 | M8-6H | 30,2 | 14,2 | M6-6H |
| 20A(C)12X596 | 12 | 16,92 | 39,48 | 250 | 3500 | 49,6 | 100,5 | | | | | | |
| 20A(C)14X596 | 14 | 19,95 | 46,55 | 250 | 3500 | 51 | 103,6 | 39,7 | 19 | M8-6H | 30,2 | 14,2 | M6-6H |
| 20A(C)15X596 | 15 | 21,60 | 36,00 | 250 | 2500 | 52 | 105,1 | | | | | | |
| 20A(C)16X596 | 16 | 23,04 | 38,40 | 250 | 2500 | 53 | 106,8 | 39,7 | 19 | M8-6H | 30,2 | 14,2 | M6-6H |
| 20A(C)19X596 | 19 | 27,36 | 45,60 | 200 | 2500 | 55 | 111,7 | | | | | | |
| 20A(C)22X596 | 22 | 31,68 | 42,24 | 180 | 2000 | 58 | 116,7 | 39,7 | 19 | M8-6H | 30,2 | 14,2 | M6-6H |
| 20A(C)25X596 | 25 | 36,00 | 48,00 | 160 | 2000 | 60,2 | 121,6 | | | | | | |

Designed as 1 section of tandem gear pump 22A(C)...X601/...X602

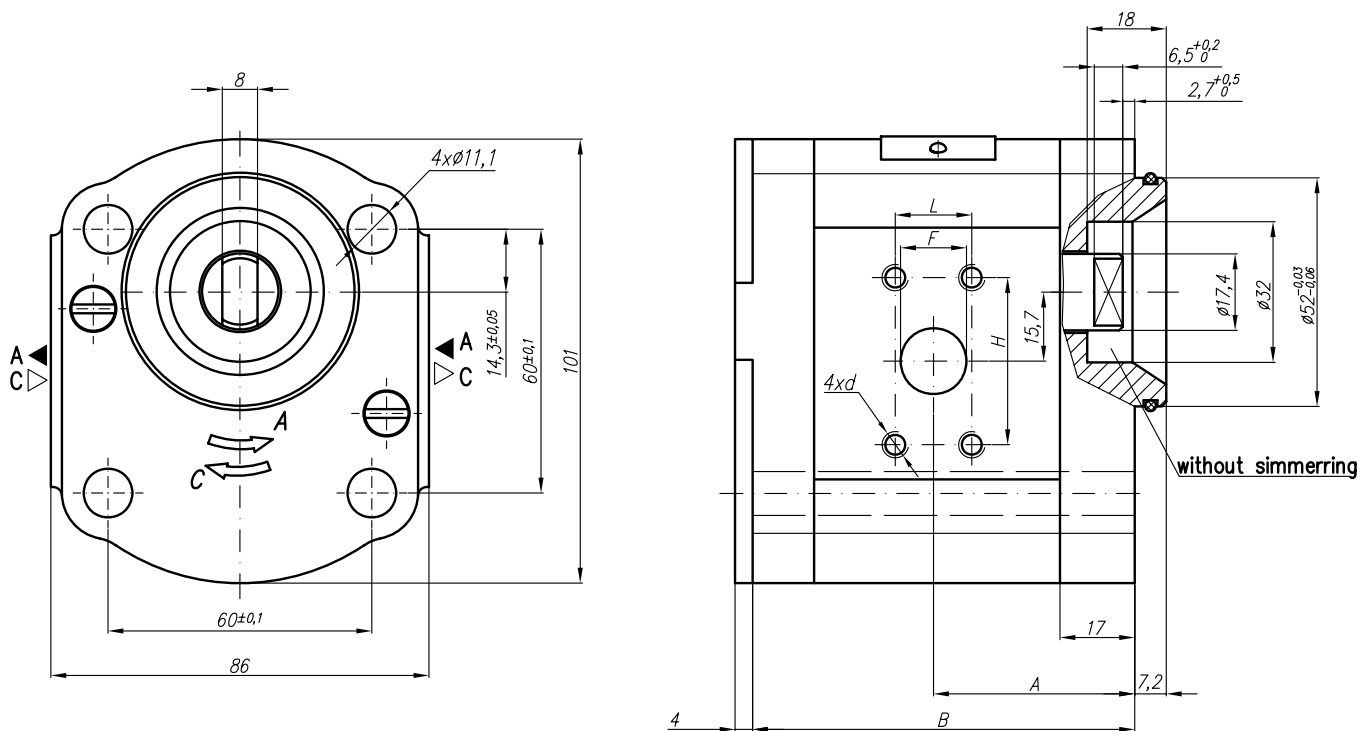


At pump displacement above 10ccm the Inlet port is rotated:

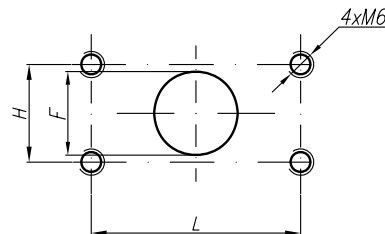


| Type | Displacement cm ³ /rev | Flow | | Pressure P _{nom} bar | max Speed n rpm | Dimension | | | | | | | |
|---------------|--------------------------------------|----------------------|---------------------|-------------------------------------|-----------------------|-----------|---------|---------|---------|---------|---------|---------|---------|
| | | at 1500 rpm l/min | at max rpm l/min | | | Inlet | | | Outlet | | | | |
| | | | | | | A mm | B mm | H mm | L mm | F mm | H mm | L mm | F mm |
| 20A(C)4,5X601 | 4,5 | 6,14 | 14,33 | 250 | 3500 | 40,5 | 85,2 | 38,1 | 17,4 | 15 | 38,1 | 17,4 | 15 |
| 20A(C)6,3X601 | 6,3 | 8,69 | 20,29 | 250 | 3500 | 42 | 88,2 | | | | | | |
| 20A(C)8,2X601 | 8,2 | 11,32 | 26,40 | 250 | 3500 | 43,5 | 91,1 | | | | | | |
| 20A(C)10X601 | 10 | 13,95 | 32,55 | 250 | 3500 | 45 | 94,1 | | | | | | |
| 20A(C)11X601 | 11,3 | 15,76 | 36,78 | 250 | 3500 | 46 | 96,2 | 22,2 | 47,6 | 19 | | | |
| 20A(C)12X601 | 12 | 16,92 | 39,48 | 250 | 3500 | 46,5 | 97,5 | | | | | | |
| 20A(C)14X601 | 14 | 19,95 | 46,55 | 250 | 3500 | 48 | 100,6 | 25 | 25 | 25 | | | |
| 20A(C)15X601 | 15 | 21,60 | 36,00 | 250 | 2500 | 49 | 102,1 | | | | | | |
| 20A(C)16X601 | 16 | 23,04 | 38,40 | 250 | 2500 | 50 | 103,8 | 25 | 25 | 25 | | | |
| 20A(C)19X601 | 19 | 27,36 | 45,60 | 200 | 2500 | 52 | 108,7 | | | | | | |
| 20A(C)22X601 | 22 | 31,68 | 42,24 | 180 | 2000 | 55 | 113,7 | 25 | 25 | 25 | | | |
| 20A(C)25X601 | 25 | 36,00 | 48,00 | 160 | 2000 | 57,2 | 118,5 | | | | | | |

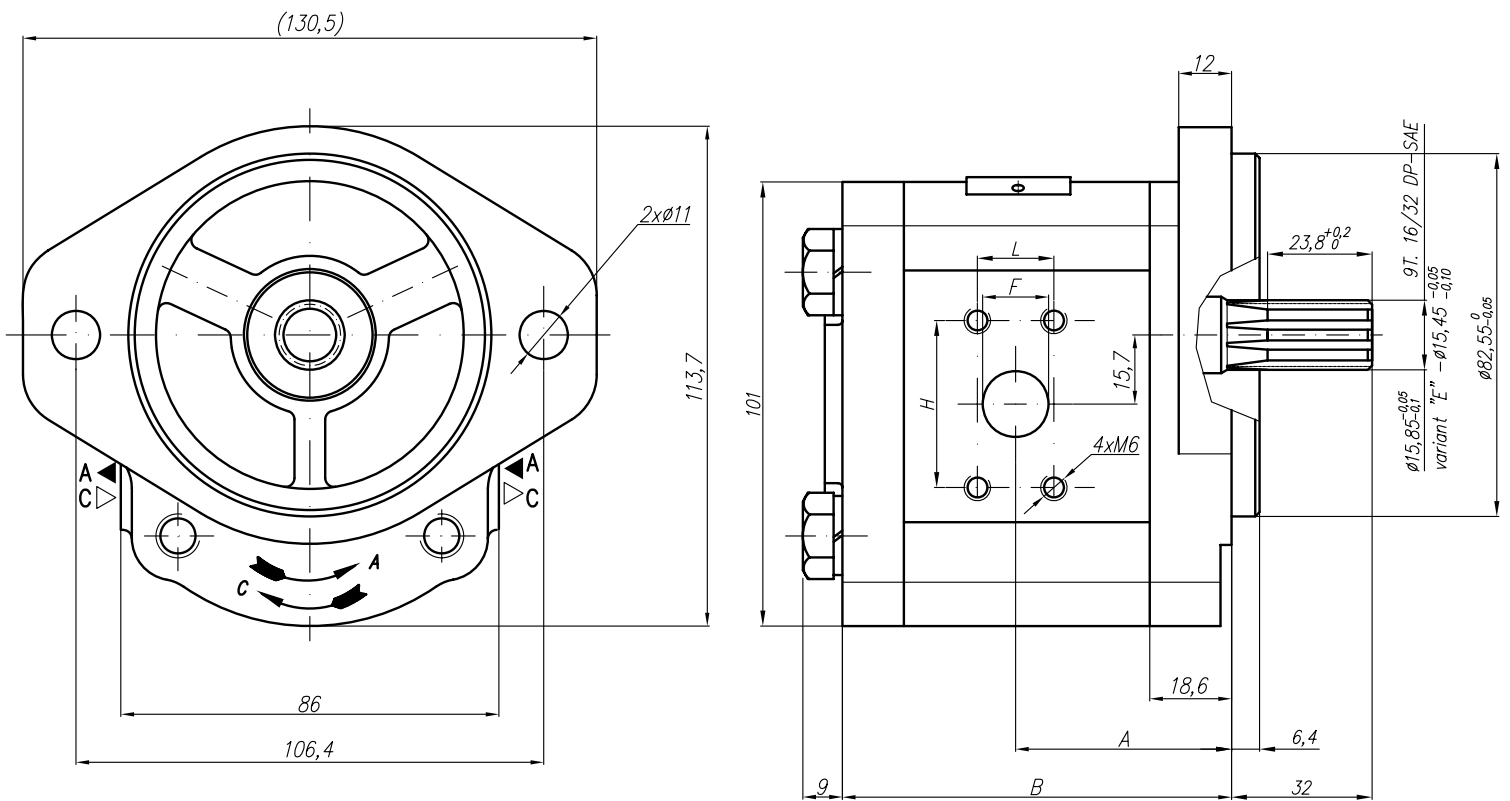
Designed as II section of tandem gear pump 22A(C)...X601/...X602



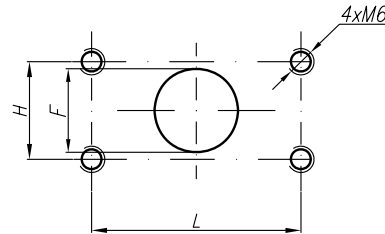
At pump displacement above 10ccm the Inlet port is rotated:



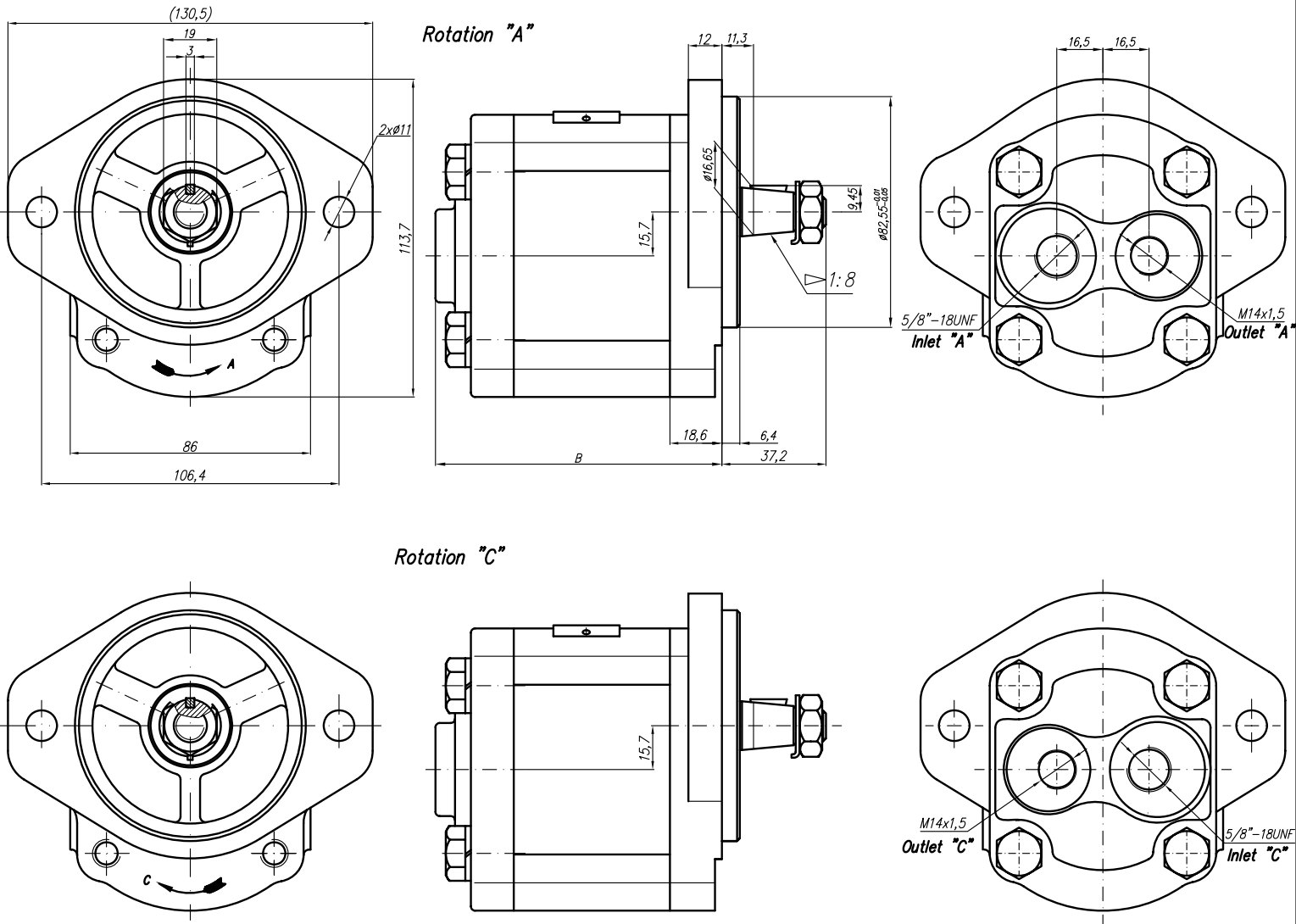
| Type | Displacement cm ³ /rev | Flow | | Pressure P _{nom} bar | max Speed n rpm | Dimension | | | | | | | |
|---------------|--------------------------------------|----------------------|---------------------|-------------------------------------|-----------------------|-----------|---------|---------|---------|---------|---------|---------|---------|
| | | at 1500 rpm l/min | at max rpm l/min | | | Inlet | | | Outlet | | | | |
| | | | | | | A mm | B mm | H mm | L mm | F mm | H mm | L mm | F mm |
| 20A(C)4,5X602 | 4,5 | 6,14 | 14,33 | 250 | 3500 | 40,5 | 78 | 38,1 | 17,4 | 15 | 38,1 | 17,4 | 15 |
| 20A(C)6,3X602 | 6,3 | 8,69 | 20,29 | 250 | 3500 | 42 | 81 | | | | | | |
| 20A(C)8,2X602 | 8,2 | 11,32 | 26,40 | 250 | 3500 | 43,5 | 83,9 | | | | | | |
| 20A(C)10X602 | 10 | 13,95 | 32,55 | 250 | 3500 | 45 | 87 | | | | | | |
| 20A(C)11X602 | 11,3 | 15,76 | 36,78 | 250 | 3500 | 46 | 89,1 | 22,2 | 47,6 | 19 | | | |
| 20A(C)12X602 | 12 | 16,92 | 39,48 | 250 | 3500 | 46,5 | 90,3 | | | | | | |
| 20A(C)14X602 | 14 | 19,95 | 46,55 | 250 | 3500 | 48 | 93,4 | | | | | | |
| 20A(C)15X602 | 15 | 21,60 | 36,00 | 250 | 2500 | 49 | 95 | | | | | | |
| 20A(C)16X602 | 16 | 23,04 | 38,40 | 250 | 2500 | 50 | 96,6 | | | | | | |
| 20A(C)19X602 | 19 | 27,36 | 45,60 | 200 | 2500 | 52 | 101,5 | 25 | | | | | |
| 20A(C)22X602 | 22 | 31,68 | 42,24 | 180 | 2000 | 55 | 106,5 | | | | | | |
| 20A(C)25X602 | 25 | 36,00 | 48,00 | 160 | 2000 | 57,2 | 111,4 | | | | | | |



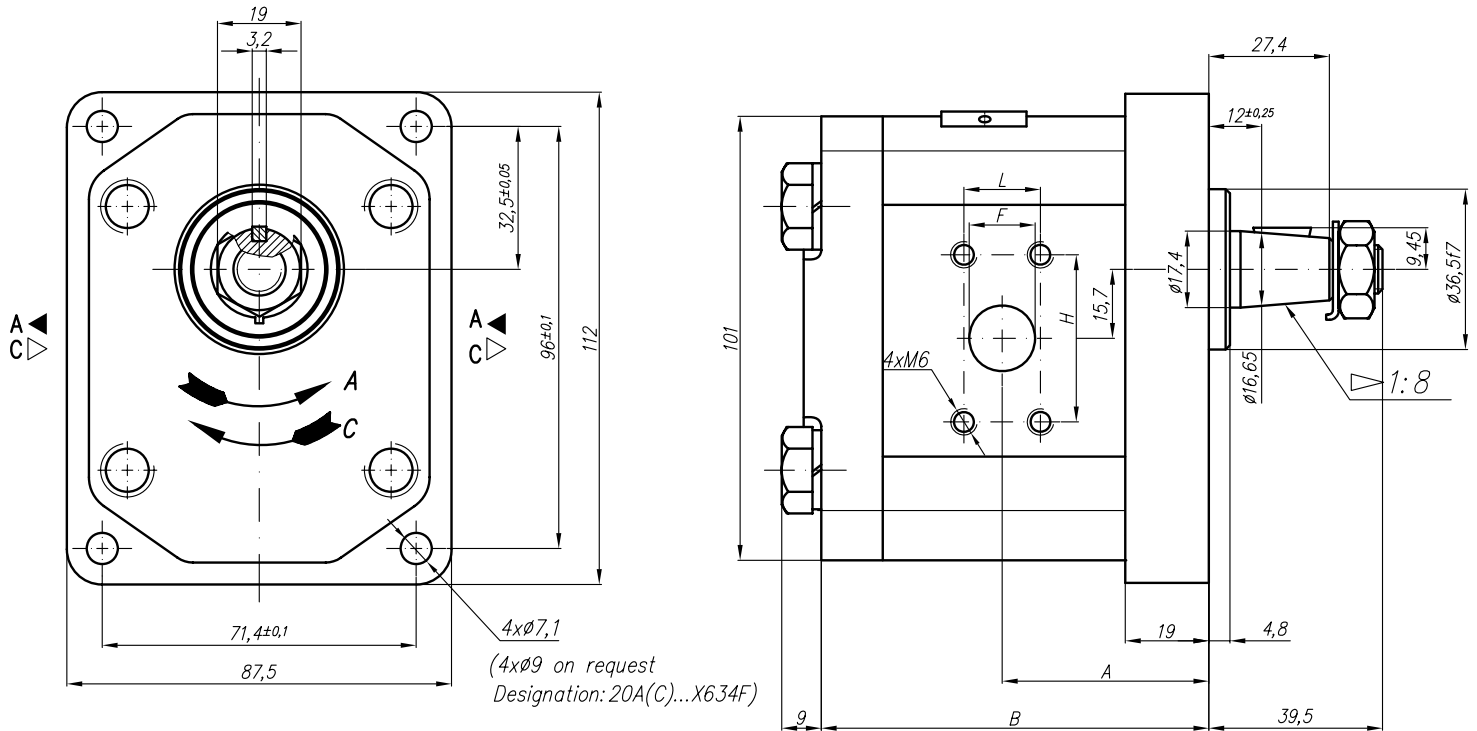
At pump displacement above 10ccm the Inlet port is rotated:



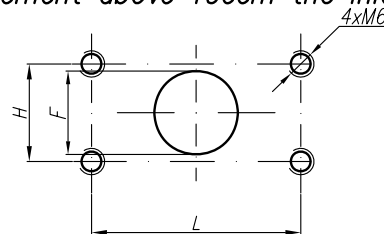
| Type | Displacement cm ³ /rev | Flow | | Pressure P _{nom} bar | max Speed n rpm | Dimension | | | | | | | |
|---------------|--------------------------------------|----------------------|---------------------|-------------------------------------|-----------------------|-----------|---------|-------|------|----|--------|------|----|
| | | at 1500 rpm l/min | at max rpm l/min | | | A mm | B mm | Inlet | | | Outlet | | |
| | | | | | | | | H | L | F | H | L | F |
| 20A(C)4,5X604 | 4,5 | 6,14 | 14,33 | 250 | 3500 | 40,5 | 78 | 38,1 | 17,4 | 15 | 38,1 | 17,4 | 15 |
| 20A(C)6,3X604 | 6,3 | 8,69 | 20,29 | 250 | 3500 | 42 | 81 | | | | | | |
| 20A(C)8,2X604 | 8,2 | 11,32 | 26,40 | 250 | 3500 | 43,5 | 83,9 | | | | | | |
| 20A(C)10X604 | 10 | 13,95 | 32,55 | 250 | 3500 | 45 | 87 | | | | | | |
| 20A(C)11X604 | 11,3 | 15,76 | 36,78 | 250 | 3500 | 46 | 89,1 | 22,2 | 47,6 | 19 | 38,1 | 17,4 | 15 |
| 20A(C)12X604 | 12 | 16,92 | 39,48 | 250 | 3500 | 46,5 | 90,3 | | | | | | |
| 20A(C)14X604 | 14 | 19,95 | 46,55 | 250 | 3500 | 48 | 93,4 | | | | | | |
| 20A(C)15X604 | 15 | 21,60 | 36,00 | 250 | 2500 | 49 | 95 | | | | | | |
| 20A(C)16X604 | 16 | 23,04 | 38,40 | 250 | 2500 | 50 | 96,6 | 25 | | | | | |
| 20A(C)19X604 | 19 | 27,36 | 45,60 | 200 | 2500 | 52 | 101,5 | | | | | | |
| 20A(C)22X604 | 22 | 31,68 | 42,24 | 180 | 2000 | 55 | 106,5 | | | | | | |
| 20A(C)25X604 | 25 | 36,00 | 48,00 | 160 | 2000 | 57,2 | 111,4 | | | | | | |



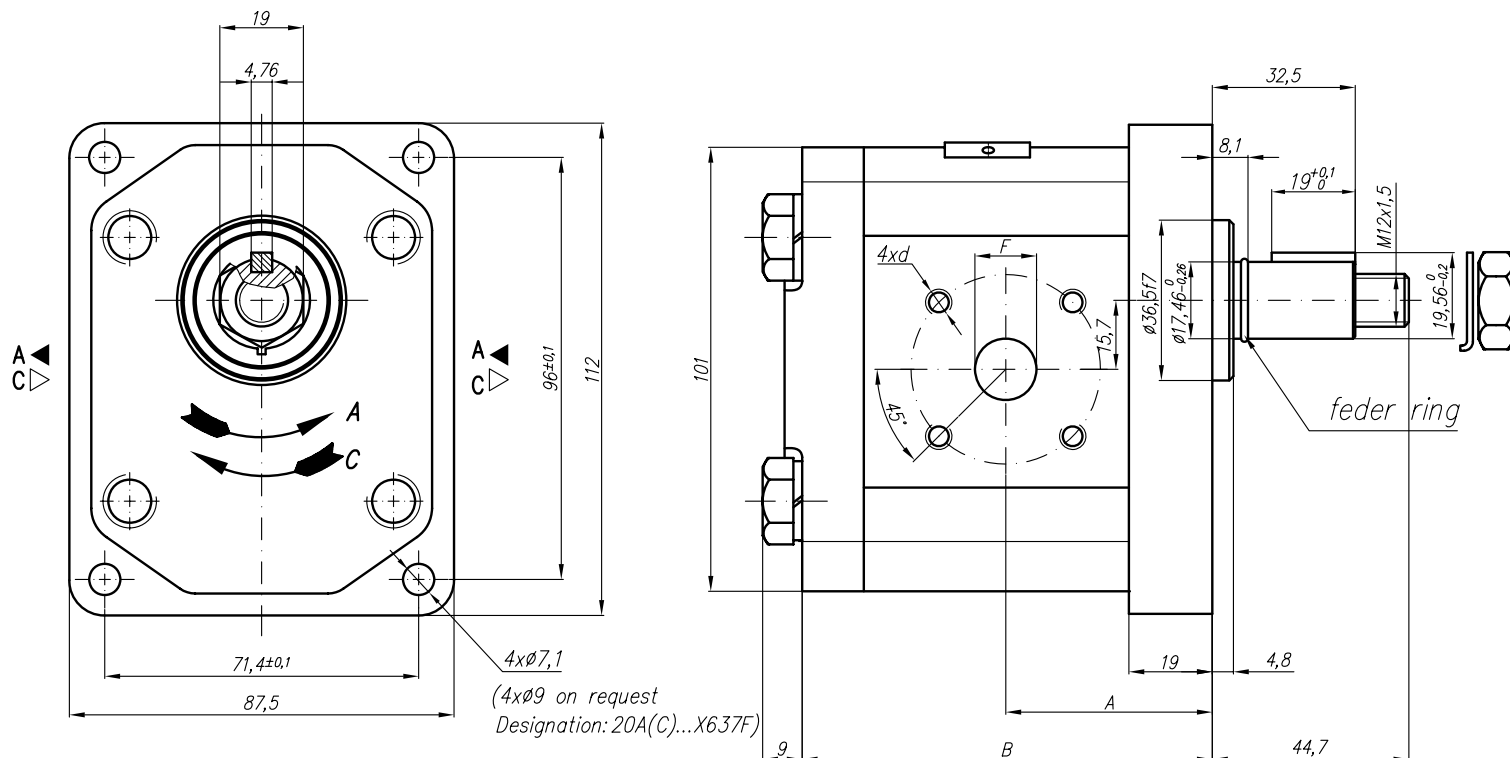
| Type | Displacement cm ³ /rev | Flow | | Pressure P _{nom} bar | max Speed n rpm | Dimension | | | | | | | |
|------------------|--------------------------------------|----------------------|---------------------|-------------------------------------|-----------------------|-----------|---------|---|--------|---|---|---|---|
| | | at 1500 rpm l/min | at max rpm l/min | | | Inlet | | | Outlet | | | | |
| | | | | | | A mm | B mm | M | G | U | M | G | U |
| 20A(C)4,5X627WUM | 4,5 | 6,14 | 14,33 | 250 | 3500 | | 93,6 | | | | | | |
| 20A(C)6,3X627WUM | 6,3 | 8,69 | 20,29 | 250 | 3500 | | 96,6 | | | | | | |
| 20A(C)8,2X627WUM | 8,2 | 11,32 | 26,40 | 250 | 3500 | | 99,5 | | | | | | |
| 20A(C)10X627WUM | 10 | 13,95 | 32,55 | 250 | 3500 | | 102,5 | | | | | | |
| 20A(C)11X627WUM | 11,3 | 15,76 | 36,78 | 250 | 3500 | | 104,6 | | | | | | |
| 20A(C)12X627WUM | 12 | 16,92 | 39,48 | 250 | 3500 | | 105,9 | | | | | | |
| 20A(C)14X627WUM | 14 | 19,95 | 46,55 | 250 | 3500 | | 108,9 | | | | | | |
| 20A(C)15X627WUM | 15 | 21,60 | 36,00 | 250 | 2500 | | 110,5 | | | | | | |
| 20A(C)16X627WUM | 16 | 23,04 | 38,40 | 250 | 2500 | | 112,1 | | | | | | |
| 20A(C)19X627WUM | 19 | 27,36 | 45,60 | 200 | 2500 | | 117,1 | | | | | | |
| 20A(C)22X627WUM | 22 | 31,68 | 42,24 | 180 | 2000 | | 122,1 | | | | | | |
| 20A(C)25X627WUM | 25 | 36,00 | 48,00 | 160 | 2000 | | 127 | | | | | | |



At pump displacement above 10ccm the Inlet port is rotated:

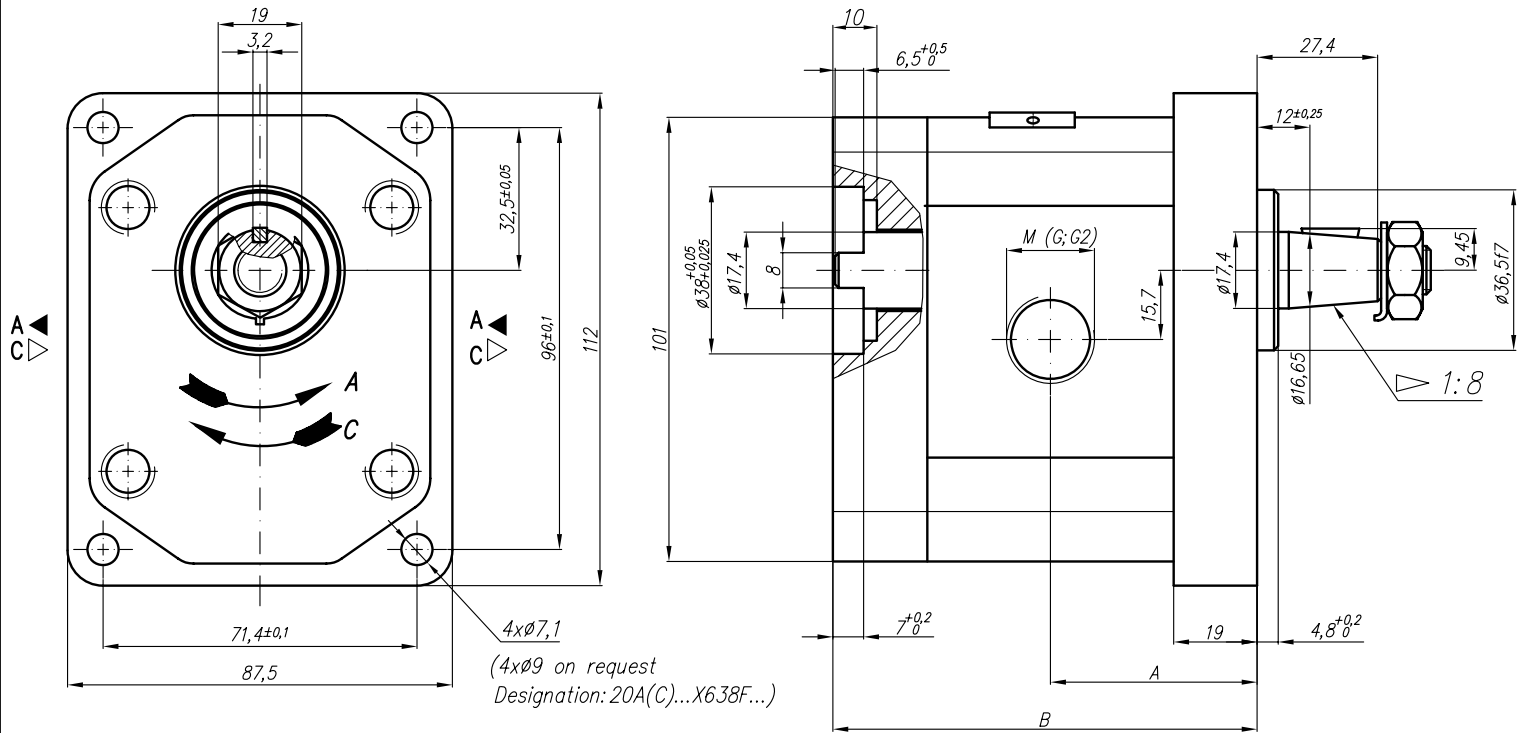


| Type | Displacement cm ³ /rev | Flow | | Pressure P _{nom} bar | max Speed n rpm | Dimension | | | | | | | |
|---------------|--------------------------------------|----------------------|---------------------|-------------------------------------|-----------------------|-----------|---------|-------|------|----|--------|------|----|
| | | at 1500 rpm l/min | at max rpm l/min | | | A mm | B mm | Inlet | | | Outlet | | |
| | | | | | | | | H | L | F | H | L | F |
| 20A(C)4,5X634 | 4,5 | 6,14 | 14,33 | 250 | 3500 | 42,5 | 80 | 38,1 | 17,4 | 15 | 38,1 | 17,4 | 15 |
| 20A(C)6,3X634 | 6,3 | 8,69 | 20,29 | 250 | 3500 | 44 | 83 | | | | | | |
| 20A(C)8,2X634 | 8,2 | 11,32 | 26,40 | 250 | 3500 | 45,5 | 86 | | | | | | |
| 20A(C)10X634 | 10 | 13,95 | 32,55 | 250 | 3500 | 47 | 89 | 22,2 | 47,6 | 19 | | | |
| 20A(C)11X634 | 11,3 | 15,76 | 36,78 | 250 | 3500 | 48 | 91,1 | | | | | | |
| 20A(C)12X634 | 12 | 16,92 | 39,48 | 250 | 3500 | 48,6 | 92,3 | | | | | | |
| 20A(C)14X634 | 14 | 19,95 | 46,55 | 250 | 3500 | 50 | 95,4 | | | | | | |
| 20A(C)15X634 | 15 | 21,60 | 36,00 | 250 | 2500 | 51 | 96,9 | | | | | | |
| 20A(C)16X634 | 16 | 23,04 | 38,40 | 250 | 2500 | 52 | 98,6 | | | | | | |
| 20A(C)19X634 | 19 | 27,36 | 45,60 | 200 | 2500 | 54 | 103,5 | 25 | | | | | |
| 20A(C)22X634 | 22 | 31,68 | 42,24 | 180 | 2000 | 57 | 108,5 | | | | | | |
| 20A(C)25X634 | 25 | 36,00 | 48,00 | 160 | 2000 | 59,2 | 113,4 | | | | | | |

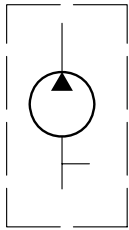


| Type | Displacement cm ³ /rev | Flow | | Pressure P _{nom} bar | max Speed n rpm | Dimension | | | | | | | |
|---------------|--------------------------------------|----------------------|---------------------|-------------------------------------|-----------------------|-----------|---------|---------|---------|---------|---------|---------|---------|
| | | at 1500 rpm l/min | at max rpm l/min | | | Inlet | | | Outlet | | | | |
| | | | | | | A mm | B mm | E mm | F mm | d mm | E mm | F mm | d mm |
| 20A(C)4,5X637 | 4,5 | | | | | | | | | | | | |
| 20A(C)6,3X637 | 6,3 | 8,69 | 20,29 | 250 | 3500 | 42,5 | 80 | | 14 | | | | |
| 20A(C)8,2X637 | 8,2 | 11,32 | 26,40 | 250 | 3500 | 42,5 | 80 | | | | | | |
| 20A(C)10X637 | 10 | 13,95 | 32,55 | 250 | 3500 | 47 | 89 | | | | | | |
| 20A(C)11X637 | 11,3 | 15,76 | 36,78 | 250 | 3500 | 48 | 91,1 | | | | | | |
| 20A(C)12X637 | 12 | 16,92 | 39,48 | 250 | 3500 | 48,6 | 92,3 | 43,1 | | | | | |
| 20A(C)14X637 | 14 | 19,95 | 46,55 | 250 | 3500 | 50 | 95,4 | | | | | | |
| 20A(C)15X637 | 15 | 21,60 | 36,00 | 250 | 2500 | 51 | 96,9 | 19 | | | | | |
| 20A(C)16X637 | 16 | 23,04 | 38,40 | 250 | 2500 | 52 | 98,6 | | | | | | |
| 20A(C)19X637 | 19 | 27,36 | 45,60 | 200 | 2500 | 54 | 103,5 | | | | | | |
| 20A(C)22X637 | 22 | 31,68 | 42,24 | 180 | 2000 | 57 | 108,5 | | | | | | |
| 20A(C)25X637 | 25 | 36,00 | 48,00 | 160 | 2000 | 59,2 | 113,4 | | | | 19 | | |

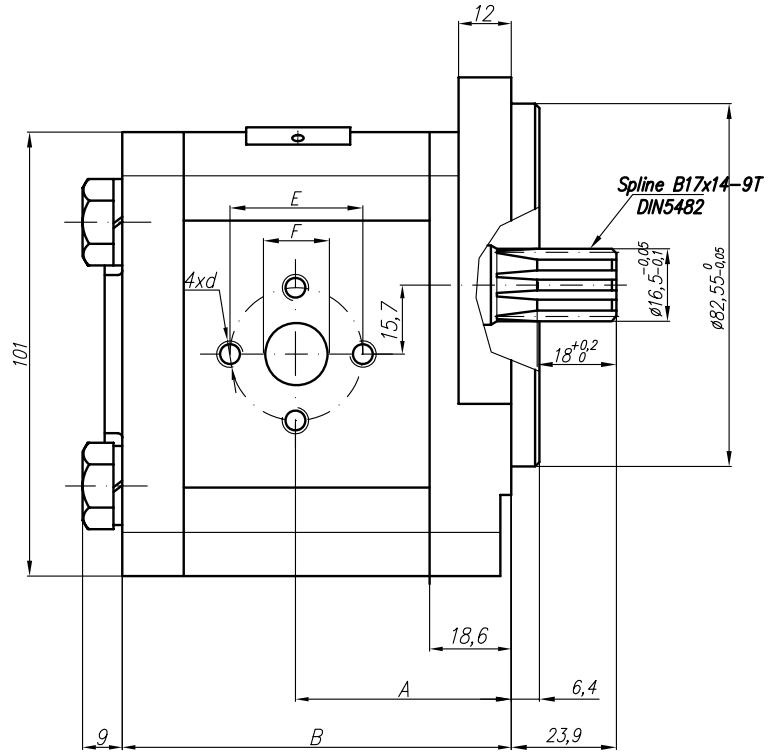
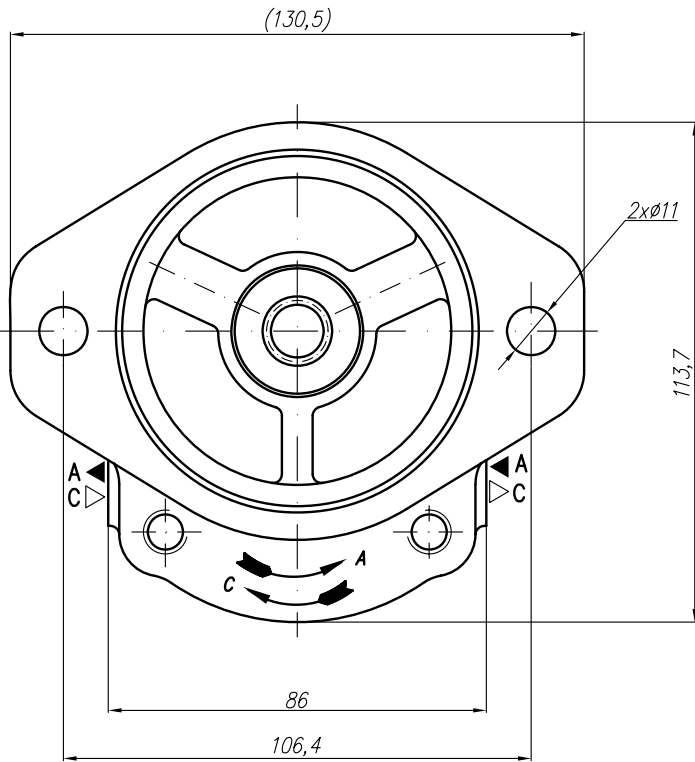
Designed as a 1 section of tandem pump 22A(C)...X638.../...X622...



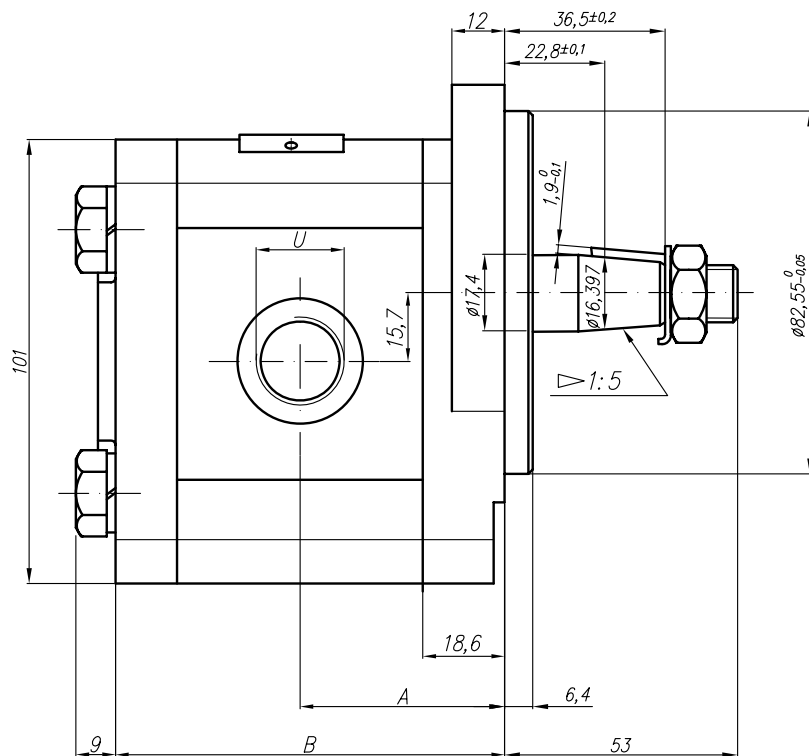
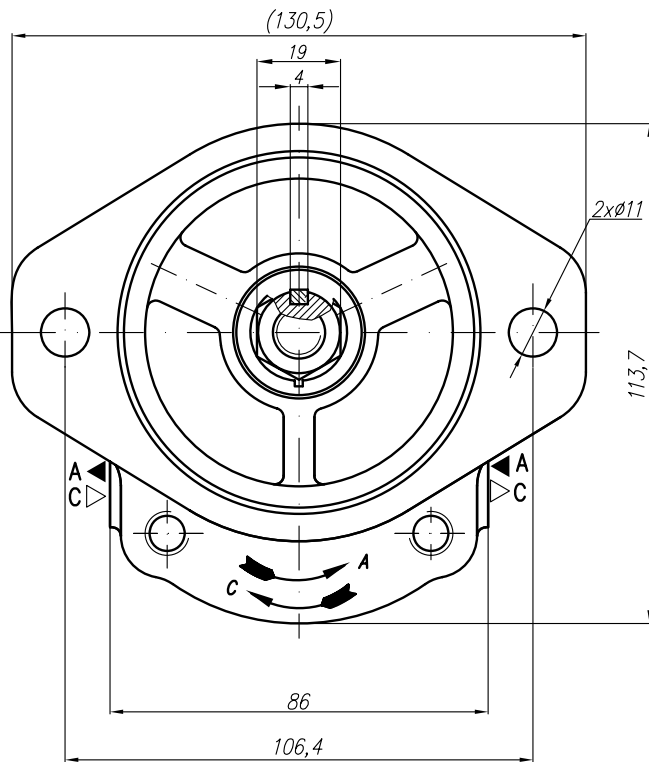
Symbol



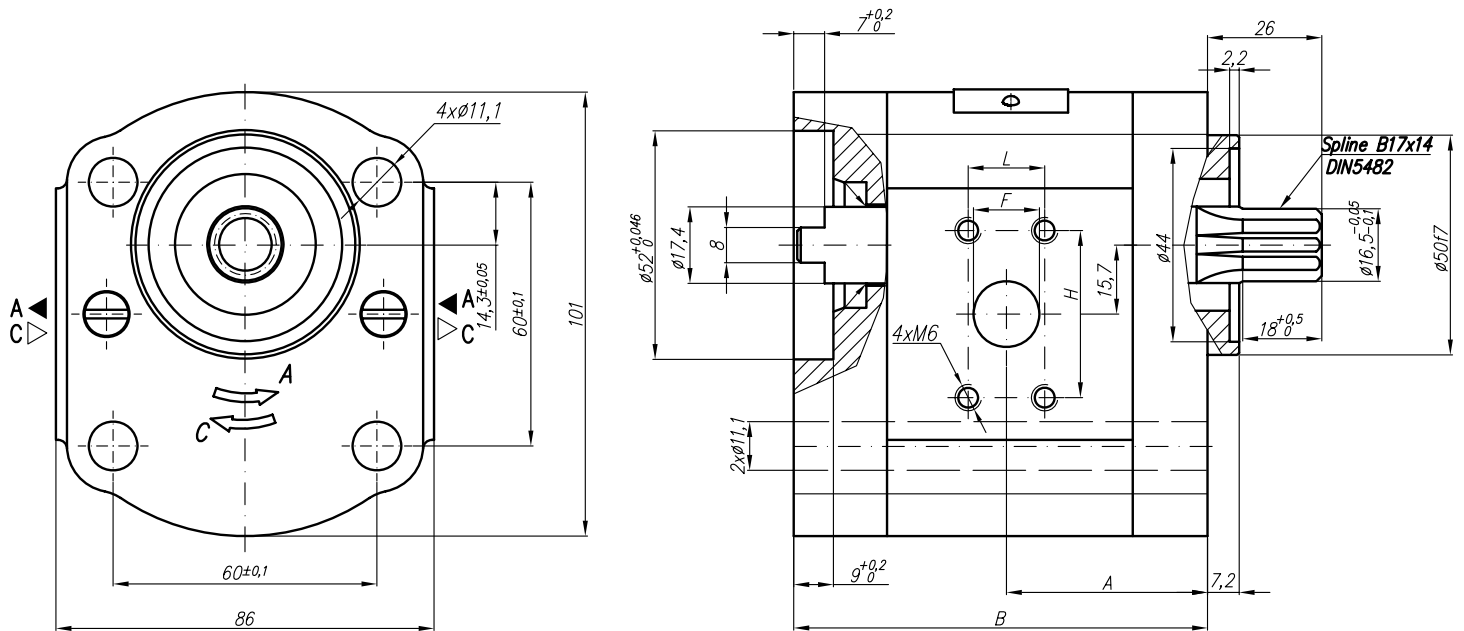
| Type | Displacement cm ³ /rev | Flow | | Pressure P _{nom} bar | max Speed n rpm | Dimension | | | | | |
|------------------|--------------------------------------|----------------------|---------------------|-------------------------------------|-----------------------|-----------|-------|--------|---|---------|---------|
| | | at 1500 rpm l/min | at max rpm l/min | | | Inlet | | Outlet | | A mm | B mm |
| | | | | | | M | G | G2 | M | G | G2 |
| 20A(C)4,5X638... | 4,5 | 6,14 | 14,33 | 250 | 3500 | | | | | | |
| 20A(C)6,3X638... | 6,3 | 8,69 | 20,29 | 250 | 3500 | | | G3/4" | | | |
| 20A(C)8,2X638... | 8,2 | 11,32 | 26,40 | 250 | 3500 | 45,5 | 93,1 | | | | |
| 20A(C)10X638... | 10 | 13,95 | 32,55 | 250 | 3500 | | | | | | |
| 20A(C)11X638... | 11,3 | 15,76 | 36,78 | 250 | 3500 | | | | | | |
| 20A(C)12X638... | 12 | 16,92 | 39,48 | 250 | 3500 | | | | | | |
| 20A(C)14X638... | 14 | 19,95 | 46,55 | 250 | 3500 | | | | | | |
| 20A(C)15X638... | 15 | 21,60 | 36,00 | 250 | 2500 | | | | | | |
| 20A(C)16X638... | 16 | 23,04 | 38,40 | 250 | 2500 | | | | | | |
| 20A(C)19X638... | 19 | 27,36 | 45,60 | 200 | 2500 | | | | | | |
| 20A(C)22X638... | 22 | 31,68 | 42,24 | 180 | 2000 | | | | | | |
| 20A(C)25X638... | 25 | 36,00 | 48,00 | 160 | 2000 | 59,2 | 120,6 | | | | |



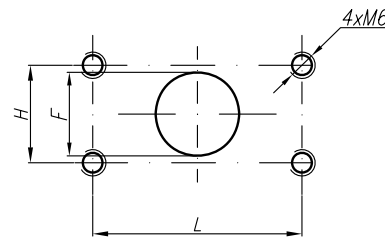
| Type | Displacement cm ³ /rev | Flow | | Pressure P _{nom} bar | max Speed n rpm | Dimension | | | | | | | |
|---------------|--------------------------------------|----------------------|---------------------|-------------------------------------|-----------------------|-----------|---------|-------|------|-------|--------|------|-------|
| | | at 1500 rpm l/min | at max rpm l/min | | | A mm | B mm | Inlet | | | Outlet | | |
| | | | | | | | | E | F | d | E | F | d |
| 20A(C)4,5X647 | 4,5 | 6,14 | 14,33 | 250 | 3500 | 42 | 79,6 | 30,2 | 13,1 | M6-6H | 30,2 | 13,1 | |
| 20A(C)6,3X647 | 6,3 | 8,69 | 20,29 | 250 | 3500 | 43,6 | 82,6 | | | | | | |
| 20A(C)8,2X647 | 8,2 | 11,32 | 26,40 | 250 | 3500 | 45 | 85,6 | | | | | | |
| 20A(C)10X647 | 10 | 13,95 | 32,55 | 250 | 3500 | 46,6 | 88,7 | | | | | | |
| 20A(C)11X647 | 11,3 | 15,76 | 36,78 | 250 | 3500 | 47,6 | 90,7 | | | | | | |
| 20A(C)12X647 | 12 | 16,92 | 39,48 | 250 | 3500 | 48,2 | 91,9 | 39,7 | 19 | M8-6H | 30,2 | 14,2 | M6-6H |
| 20A(C)14X647 | 14 | 19,95 | 46,55 | 250 | 3500 | 49,6 | 95 | | | | | | |
| 20A(C)15X647 | 15 | 21,60 | 36,00 | 250 | 2500 | 50,6 | 96,5 | | | | | | |
| 20A(C)16X647 | 16 | 23,04 | 38,40 | 250 | 2500 | 51,6 | 98,2 | | | | | | |
| 20A(C)19X647 | 19 | 27,36 | 45,60 | 200 | 2500 | 53,6 | 103,1 | | | | | | |
| 20A(C)22X647 | 22 | 31,68 | 42,24 | 180 | 2000 | 56,6 | 108,1 | 39,7 | 19 | M8 | 39,7 | 19 | M8 |
| 20A(C)25X647 | 25 | 36,00 | 48,00 | 160 | 2000 | 58,8 | 113 | | | | | | |



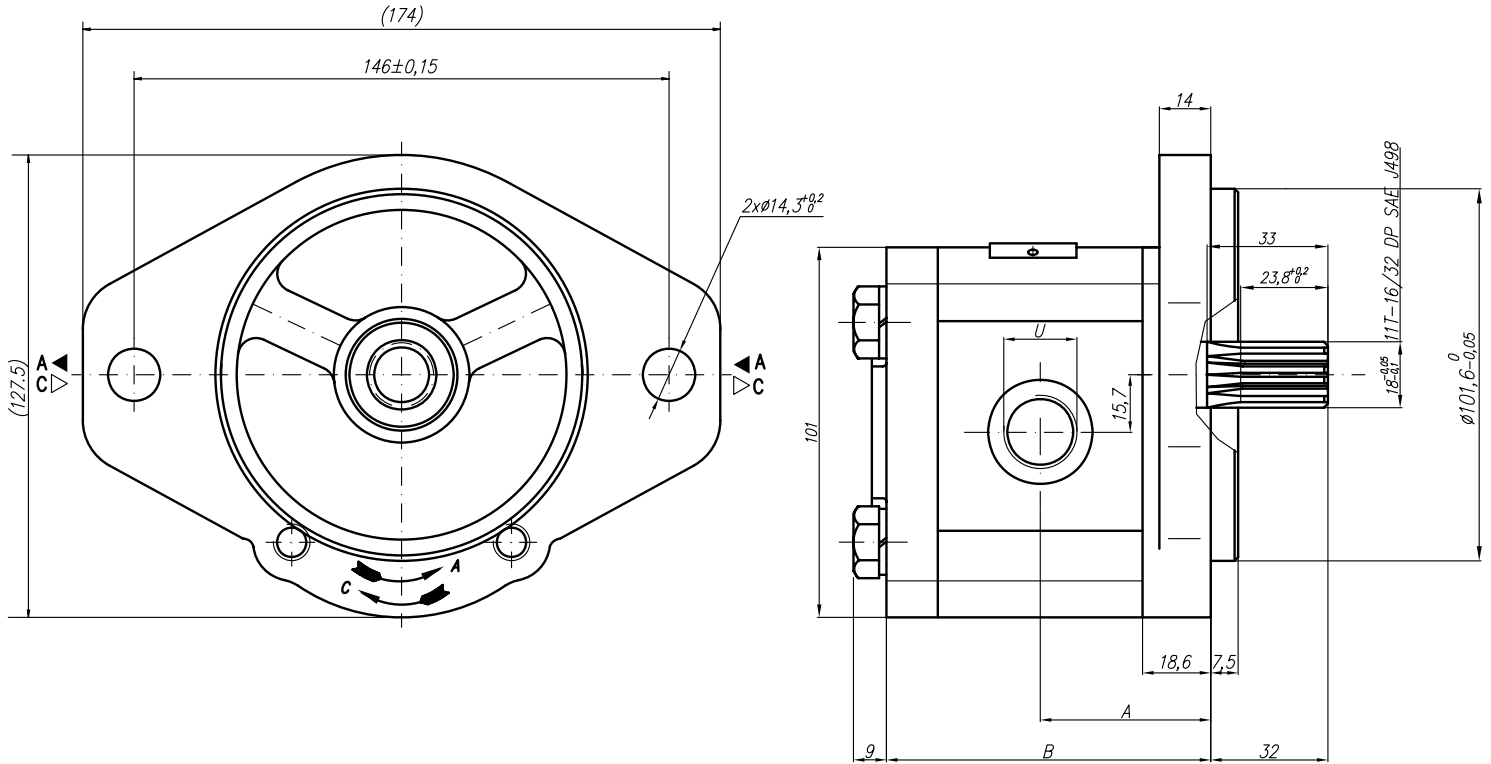
| Type | Displacement cm ³ /rev | Flow | | Pressure P _{nom} bar | max Speed n rpm | Dimension | | | | | | | |
|----------------|--------------------------------------|----------------------|---------------------|-------------------------------------|-----------------------|-----------|---------|-------|---|---|--------|---|---|
| | | at 1500 rpm l/min | at max rpm l/min | | | A mm | B mm | Inlet | | | Outlet | | |
| | | | | | | | | M | G | U | M | G | U |
| 20A(C)4,5X650U | 4,5 | 6,14 | 14,33 | 250 | 3500 | 42 | 79,6 | | | | | | |
| 20A(C)6,3X650U | 6,3 | 8,69 | 20,29 | 250 | 3500 | 43,6 | 82,6 | | | | | | |
| 20A(C)8,2X650U | 8,2 | 11,32 | 26,40 | 250 | 3500 | 45 | 85,6 | | | | | | |
| 20A(C)10X650U | 10 | 13,95 | 32,55 | 250 | 3500 | 46,6 | 88,7 | | | | | | |
| 20A(C)11X650U | 11,3 | 15,76 | 36,78 | 250 | 3500 | 47,6 | 90,7 | | | | | | |
| 20A(C)12X650U | 12 | 16,92 | 39,48 | 250 | 3500 | 48,2 | 91,9 | | | | | | |
| 20A(C)14X650U | 14 | 19,95 | 46,55 | 250 | 3500 | 49,6 | 95 | | | | | | |
| 20A(C)15X650U | 15 | 21,60 | 36,00 | 250 | 2500 | 50,6 | 96,5 | | | | | | |
| 20A(C)16X650U | 16 | 23,04 | 38,40 | 250 | 2500 | 51,6 | 98,2 | | | | | | |
| 20A(C)19X650U | 19 | 27,36 | 45,60 | 200 | 2500 | 53,6 | 103,1 | | | | | | |
| 20A(C)22X650U | 22 | 31,68 | 42,24 | 180 | 2000 | 56,6 | 108,1 | | | | | | |
| 20A(C)25X650U | 25 | 36,00 | 48,00 | 160 | 2000 | 58,8 | 113 | | | | | | |



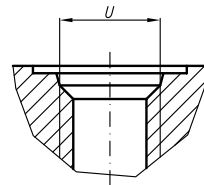
At pump displacement above 10ccm the Inlet port is rotated:



| Type | Displacement cm ³ /rev | Flow | | Pressure P _{nom} bar | max Speed n rpm | Dimension | | | | | | | |
|---------------|--------------------------------------|----------------------|---------------------|-------------------------------------|-----------------------|-----------|---------|------|--------|----|------|------|----|
| | | at 1500 rpm l/min | at max rpm l/min | | | Inlet | | | Outlet | | | | |
| | | | | | | A mm | B mm | H | L | F | H | L | F |
| 20A(C)4,5X654 | 4,5 | 6,14 | 14,33 | 250 | 3500 | 40,5 | 85,2 | 38,1 | 17,4 | 15 | 38,1 | 17,4 | 15 |
| 20A(C)6,3X654 | 6,3 | 8,69 | 20,29 | 250 | 3500 | 42 | 88,2 | | | | | | |
| 20A(C)8,2X654 | 8,2 | 11,32 | 26,40 | 250 | 3500 | 43,5 | 91,1 | | | | | | |
| 20A(C)10X654 | 10 | 13,95 | 32,55 | 250 | 3500 | 45 | 94,1 | | | | | | |
| 20A(C)11X654 | 11,3 | 15,76 | 36,78 | 250 | 3500 | 46 | 96,2 | | | | | | |
| 20A(C)12X654 | 12 | 16,92 | 39,48 | 250 | 3500 | 46,5 | 97,5 | 22,2 | 47,6 | 19 | 38,1 | 17,4 | 15 |
| 20A(C)14X654 | 14 | 19,95 | 46,55 | 250 | 3500 | 48 | 100,6 | | | | | | |
| 20A(C)15X654 | 15 | 21,60 | 36,00 | 250 | 2500 | 49 | 102,1 | | | | | | |
| 20A(C)16X654 | 16 | 23,04 | 38,40 | 250 | 2500 | 50 | 103,8 | | | | | | |
| 20A(C)19X654 | 19 | 27,36 | 45,60 | 200 | 2500 | 52 | 108,7 | | | | | | |
| 20A(C)22X654 | 22 | 31,68 | 42,24 | 180 | 2000 | 55 | 113,7 | 25 | | | | | |
| 20A(C)25X654 | 25 | 36,00 | 48,00 | 160 | 2000 | 57,2 | 118,5 | | | | | | |



SAE J475 (ISO R725)



| Type | Displacement cm ³ /rev | Flow | | Pressure P _{nom} bar | max Speed n rpm | Dimension | | | | | | | |
|----------------|--------------------------------------|----------------------|---------------------|-------------------------------------|-----------------------|-----------|---------|----------------|--------|---|---|---|-------------|
| | | at 1500 rpm l/min | at max rpm l/min | | | Inlet | | | Outlet | | | | |
| | | | | | | A mm | B mm | M | G | U | M | G | U |
| 20A(C)4,5X655U | 4,5 | 6,14 | 14,33 | 250 | 3500 | 42 | 79,6 | 1 1/16" -12UNF | | | | | 7/8" -14UNF |
| 20A(C)6,3X655U | 6,3 | 8,69 | 20,29 | 250 | 3500 | 43,6 | 82,6 | | | | | | |
| 20A(C)8,2X655U | 8,2 | 11,32 | 26,40 | 250 | 3500 | 45 | 85,6 | | | | | | |
| 20A(C)10X655U | 10 | 13,95 | 32,55 | 250 | 3500 | 46,6 | 88,7 | | | | | | |
| 20A(C)11X655U | 11,3 | 15,76 | 36,78 | 250 | 3500 | 47,6 | 90,7 | | | | | | |
| 20A(C)12X655U | 12 | 16,92 | 39,48 | 250 | 3500 | 48,2 | 91,9 | | | | | | |
| 20A(C)14X655U | 14 | 19,95 | 46,55 | 250 | 3500 | 49,6 | 95 | | | | | | |
| 20A(C)15X655U | 15 | 21,60 | 36,00 | 250 | 2500 | 50,6 | 96,5 | | | | | | |
| 20A(C)16X655U | 16 | 23,04 | 38,40 | 250 | 2500 | 51,6 | 98,2 | | | | | | |
| 20A(C)19X655U | 19 | 27,36 | 45,60 | 200 | 2500 | 53,6 | 103,1 | | | | | | |
| 20A(C)22X655U | 22 | 31,68 | 42,24 | 180 | 2000 | 56,6 | 108,1 | | | | | | |
| 20A(C)25X655U | 25 | 36,00 | 48,00 | 160 | 2000 | 58,8 | 113 | | | | | | |